

Table of Contents

Section J

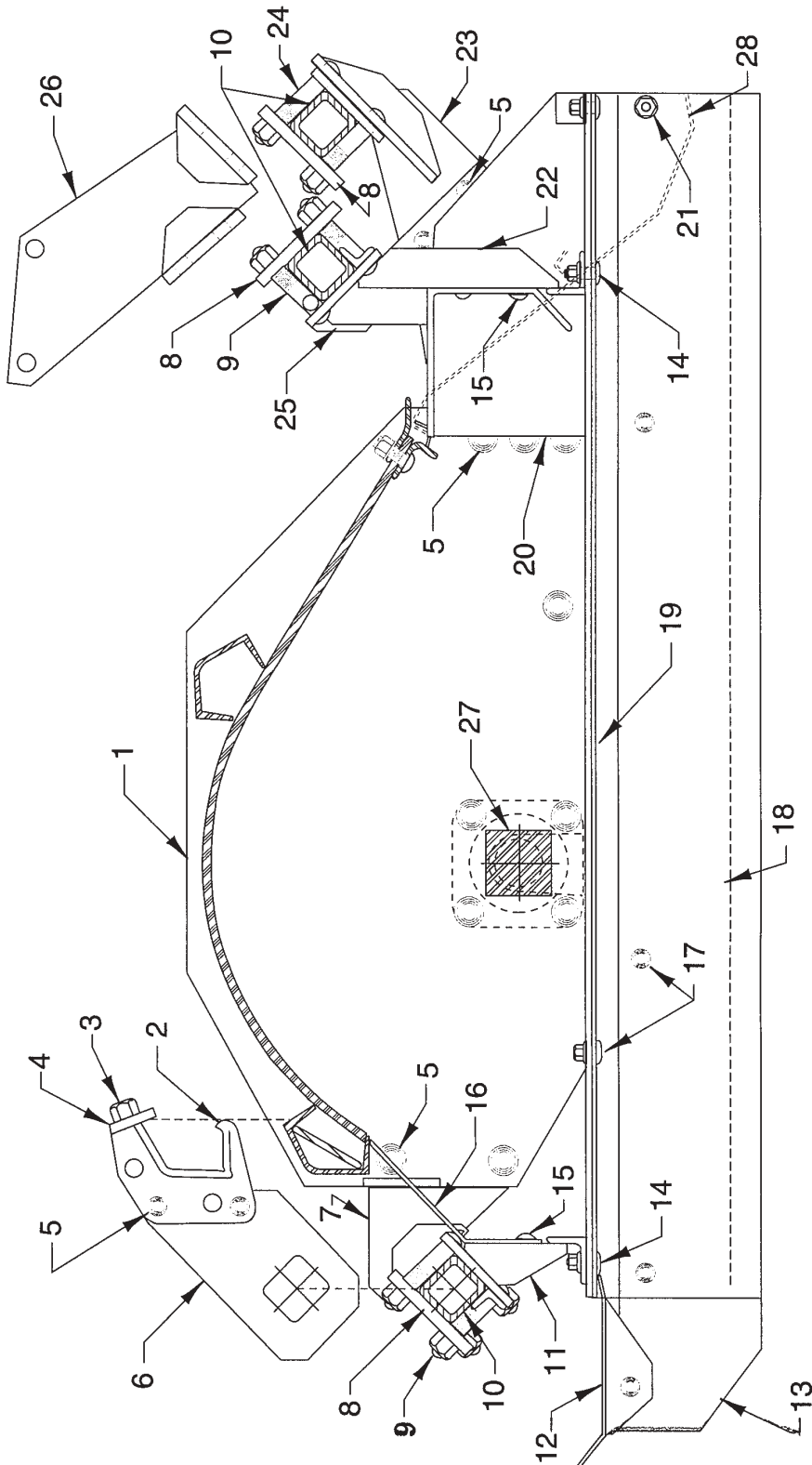
Section “J”: Row Crop & Bedder

Cultivator Tunnel Assembly - “RB” Tiller Only	J1-J2
Cultivator Tunnel Assembly - High Clearance Only	J3-J4
Row Crop Cultivation Shields	J5-J6
Bolt in Cultivator Shields “HC”	J7
Rear Bedformer.....	J8
Bed Former Assembly.....	J9-J10
Outer Bedformers (LH & RH).....	J11
Center Bedformer.....	J12



Call or E-mail Northwest Tillers today
800.204.3122 • www.nwtiller.com

Cultivator Tunnel Assembly - "RB" Tiller Only



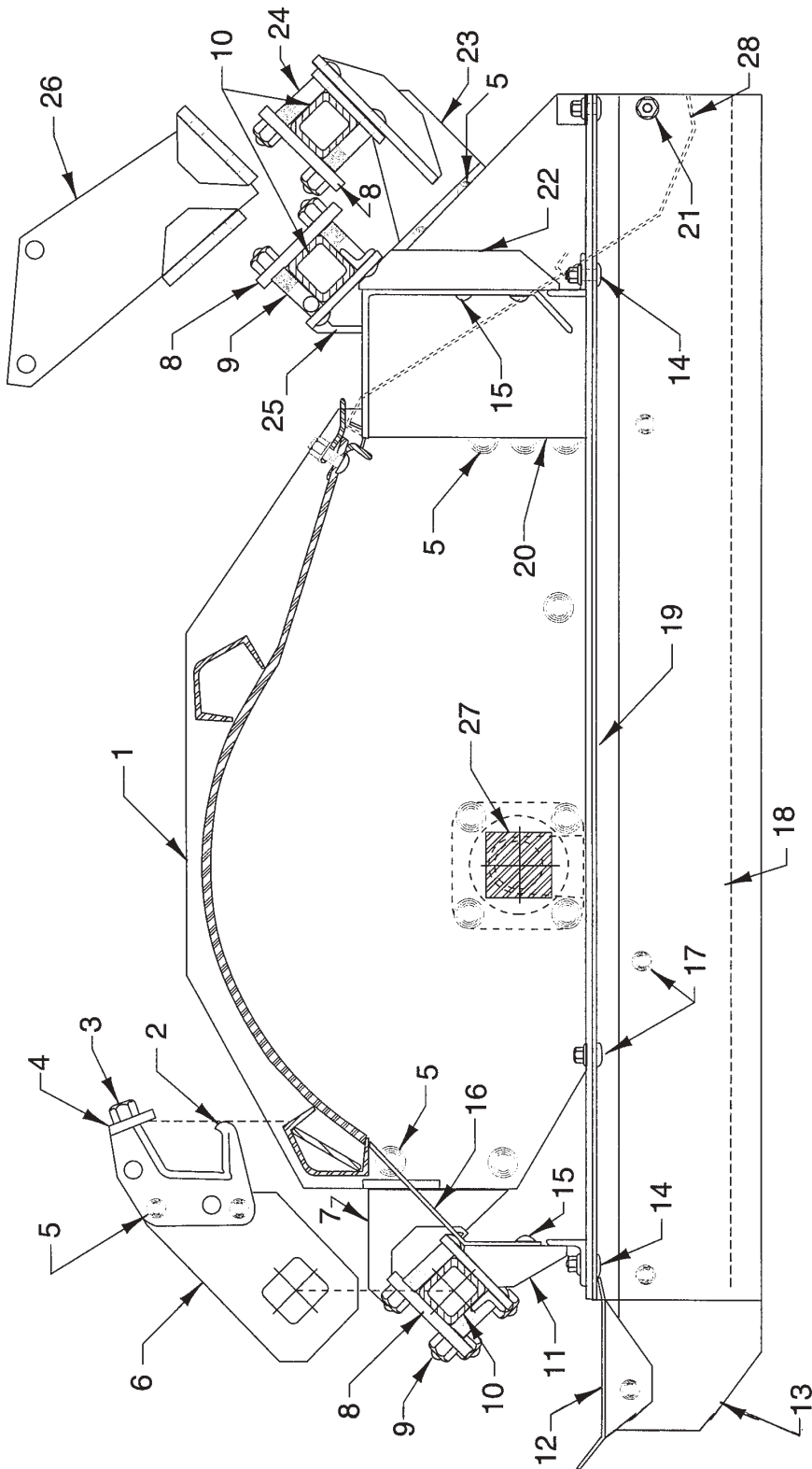
Cultivator Tunnel Assembly - "RB" Tiller Only

<u>Item</u>	<u>Part#</u>	<u>Description</u>	<u>Item</u>	<u>Part#</u>	<u>Description</u>
1	RB-2863	Housing Assembly	21		7/16" x 3/4" Plow Bolt
2	RB-463PS	Clamp	21	10780	7/16" Nut
3	10607	5/8" x 1 1/4" Cap Screw	21	10801	7/16" Flat Washer
3	10793	5/8" Lock Washer	22	RB-2784	Rear Tunnel Support
4	RB-464	Anchor Strap	23	RB-21995	Rear Bar Bracket (RH Shown)
5	10743	5/8" x 1 1/2" Carriage Bolt	24	10	5/8" x 4 1/2" Carriage Bolt
5	10783	5/8" Nut	24	10783	5/8" Nut
5	10793	5/8" Lock Washer	24	10793	5/8" Lock Washer
6	RB-1991	Support Plate	25	RB-21906	Secondary Rear Bar Bracket (RH Shown)
7	RB-21994	Front Bar Bracket Assembly	26	RB-21990	Center Bar Support (LH Shown)
8	RB-620	Square Bar Strap	27		Rotor Shaft (See Page E-4)
9	10747	5/8" x 4" Carriage Bolt	28	RB-2988	Apron Assembly
9	10783	5/8" Nut			
9	10793	5/8" Lock Washer			
10	RB-638	Square Bar - 2 1/4" (Specify Tiller Size)			
11	RB-2794	Front Tunnel Support			
12	RB-1515	Guide (RH Shown)			
13	RB-1983	Lower Shield (RH Shown)			
14	10714	7/16" x 1 1/4" Carriage Bolt			
14	10780	7/16" Nut			
14	10801	7/16" Flat Washer			
15	10691	3/8" x 3/4" Carriage Bolt			
15	20030	Flange Lock Nut			
16	RB-737	Dust Shield			
17	10713	7/16" x 1" Carriage Bolt			
17	10780	7/16" Nut			
17	10801	7/16" Flat Washer			
18	RB-1984	Tunnel (RH Shown)			
19	RB-1982	Web (Specify Tunnel Size)			
20	RB-21982	Apron Shield (RH Shown)			

Bundles:

- SRB4829 Front Bar Bracket Assembly
- SRB4830 Rear Bar Bracket Assembly
- SRB4831 Center Bar Support Assembly
- SRB4832 Tunnel Assembly

Cultivator Tunnel Assembly - High Clearance Tiller Only



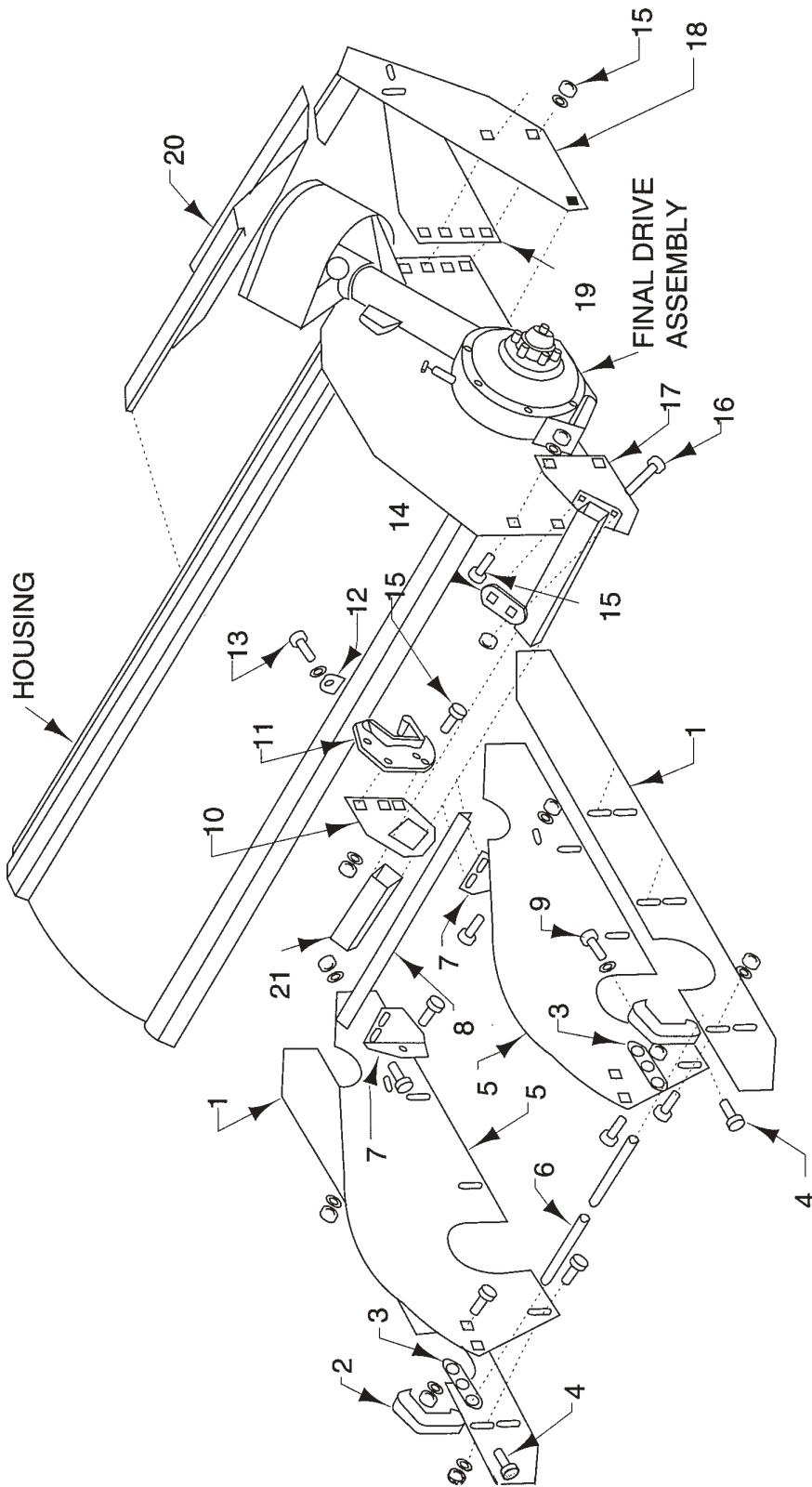
Cultivator Tunnel Assembly - High Clearance Tiller Only

<u>Item</u>	<u>Part#</u>	<u>Description</u>	<u>Item</u>	<u>Part#</u>	<u>Description</u>
1	RB-21585	Housing Assembly	21		7/16" x 3/4" Plow Bolt
2	RB-463PS	Clamp	21	10780	7/16" Nut
3	10607	5/8" x 1 1/4" Cap Screw	21	10801	7/16" Flat Washer
3	10793	5/8" Lock Washer	22	RB-2784	Rear Tunnel Support
4	RB-464	Anchor Strap	23	RB-21995	Rear Bar Bracket (RH Shown)
5	10743	5/8" x 1 1/2" Carriage Bolt	24	10	5/8" x 4 1/2" Carriage Bolt
5	10783	5/8" Nut	24	10783	5/8" Nut
5	10793	5/8" Lock Washer	24	10793	5/8" Lock Washer
6	RB-1999	Support Plate	25	RB-21906	Secondary Rear Bar Bracket (RH Shown)
7	RB-21994	Front Bar Bracket Assembly	26	RB-21998	Center Bar Support (LH Shown)
8	RB-620	Square Bar Strap	27		Rotor Shaft (See Page E-4)
9	10747	5/8" x 4" Carriage Bolt	28	RB-21151	Apron Assembly
9	10783	5/8" Nut			
9	10793	5/8" Lock Washer			
10	RB-638	Square Bar - 2 1/4" (Specify Tiller Size)			
11	RB-1515	Guide (RH Shown)			
12	RB-2794	Front Tunnel Support			
13	RB-1983	Lower Shield (RH Shown)			
14	10714	7/16" x 1 1/4" Carriage Bolt			
14	10780	7/16" Nut			
14	10801	7/16" 7/16" Flat Washer			
15	10691	3/8" x 3/4" Carriage Bolt			
15	20030	Flange Lock Nut			
16	RB-1986	Dust Shield			
17	10713	7/16" x 1" Carriage Bolt			
17	10780	7/16" Nut			
17	10801	7/16" Flat Washer			
18	RB-1984	Tunnel (RH Shown)			
19	RB-1982	Web (Specify Tunnel Width)			
20	RB-21977	Apron Shield (RH Shown)			

Bundles:

- SRB4830 Rear Bar Bracket Assembly
- SRB4833 Front Bar Assembly
- SRB4835 Center Bar Support Assembly
- SRB4836 Tunnel Assembly

Row Crop Shields



Row Crop Shields

<u>Item</u>	<u>Part#</u>	<u>Description</u>
1	R-205	Lower Shield
2	RB-91PS	Clamp
3	RB-92PS	Ear (Casting)
3	RB-2092	Ear (Weldment)
4	52	3/8" x 1" Square Head Set Screw
4		3/8" Jam Nut
5	RB-1572	Upper Shield - High Clearance
5	RB-188	Upper Shield
6	RB-218	Front Tie Rod
7	RB-1348	Hanger -RH
7	RB-1349	Hanger -LH
8	RB-413	Shield Support
9	54	3/8" x 1 1/4" Square Head Set Screw
9		3/8" Jam Nut
10	RB-1506	Hitch Plate Front Square Bar
11	RB-463PS	Clamp
12	RB-464	Anchor Strap
13	10606	5/8" x 1" Cap Screw
13	10793	5/8" Lock Washer
14	RB-615	Square Bar Strap
15	10743	5/8" x 1 1/2" Carriage Bolt
15	10783	5/8" Nut
15	10793	5/8" Lock Washer
16	10734	1/2" x 4" Carriage Bolt
16	10781	1/2" Nut
16	10791	1/2" Lock Washer
17	RB-21505	End Plate Assembly
18	SRB2820	Rear Bar Bracket (Specify Tiller Width)
19	RB-542	End Shield
20	RB-2988	Apron (Specify Width)
21	RB-638	Front Bar (Specify Tiller Width)

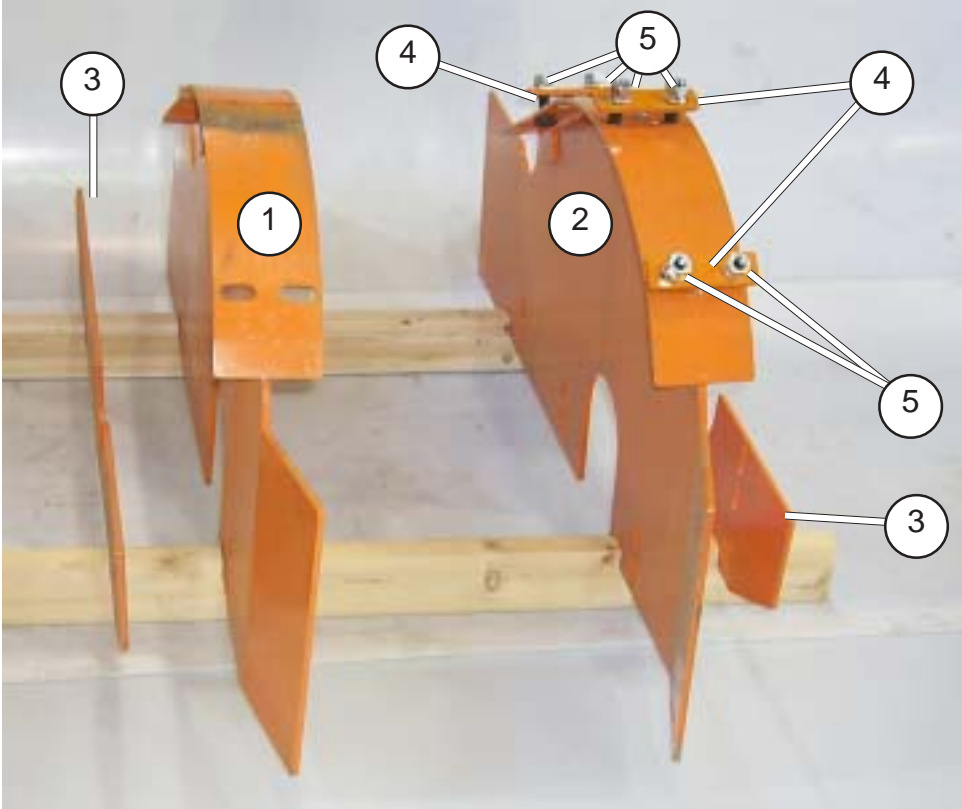
Note: All Carriage Bolts not listed are either 7/16" x 1" part # 10713 or 7/16" x 1 1/4" part # 10714 with Nut part # 10780 and Flat Washer part # 10801

Bundles:

SRB4590 Row Crop Shields
 SRB4590-1 ... Row Crop Shields (for High Clearance)
 SRB4251 Front Bar Center Supports
 SRB4254 Front Bar End Brackets

Bolt In Cultivator Shields "HC"

SD2629



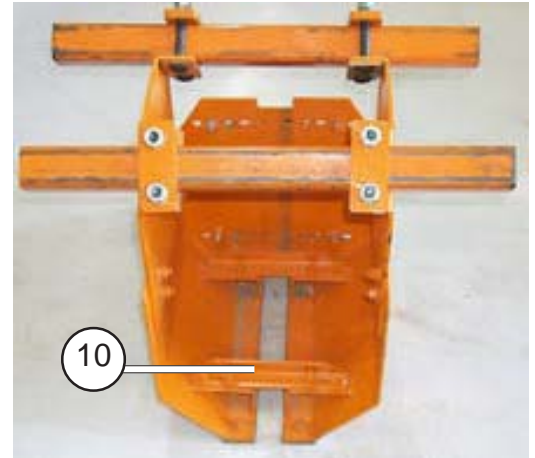
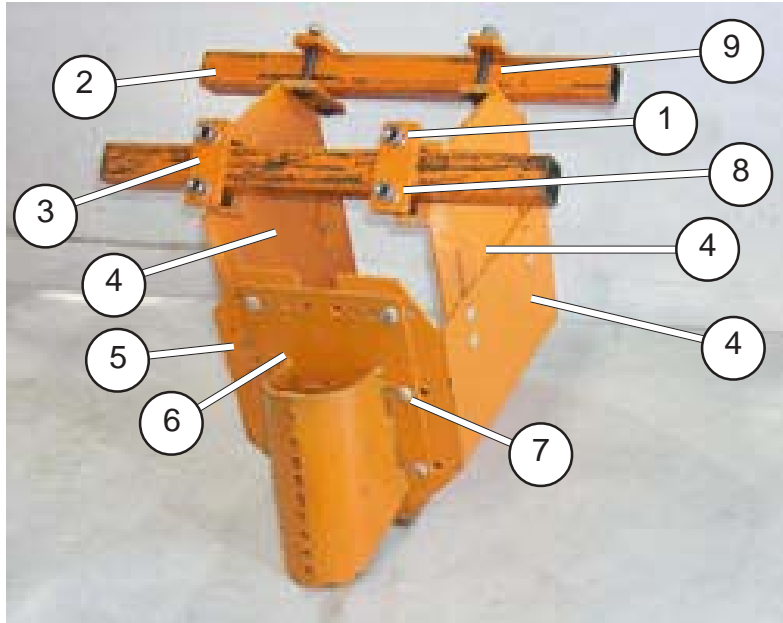
<u>Item #</u>	<u>Part #</u>	<u>No.Used</u>	<u>Description</u>
1	D-2629-R	1	Shield HC Strip (Right)
2	D-2629-L	1	Shield HC Strip (Left)
3	RB205-1	2	Shield Lower
4	D-498	6	Strap - Center Bearing - HC
5	10743	12	5/8 NC x 1.5 Carriage Bolt

Not Shown

10783	12	5/8 Hex Nut
10793	12	5/8 Lock Washer
10714	6	7/16" x 1 1/4" Carriage Bolts
10801	6	7/16" FlatWasher
10790	6	7/16" LockWasher
10780	6	7/16" NC Nuts

Rear Bedformer

SRB4433-2

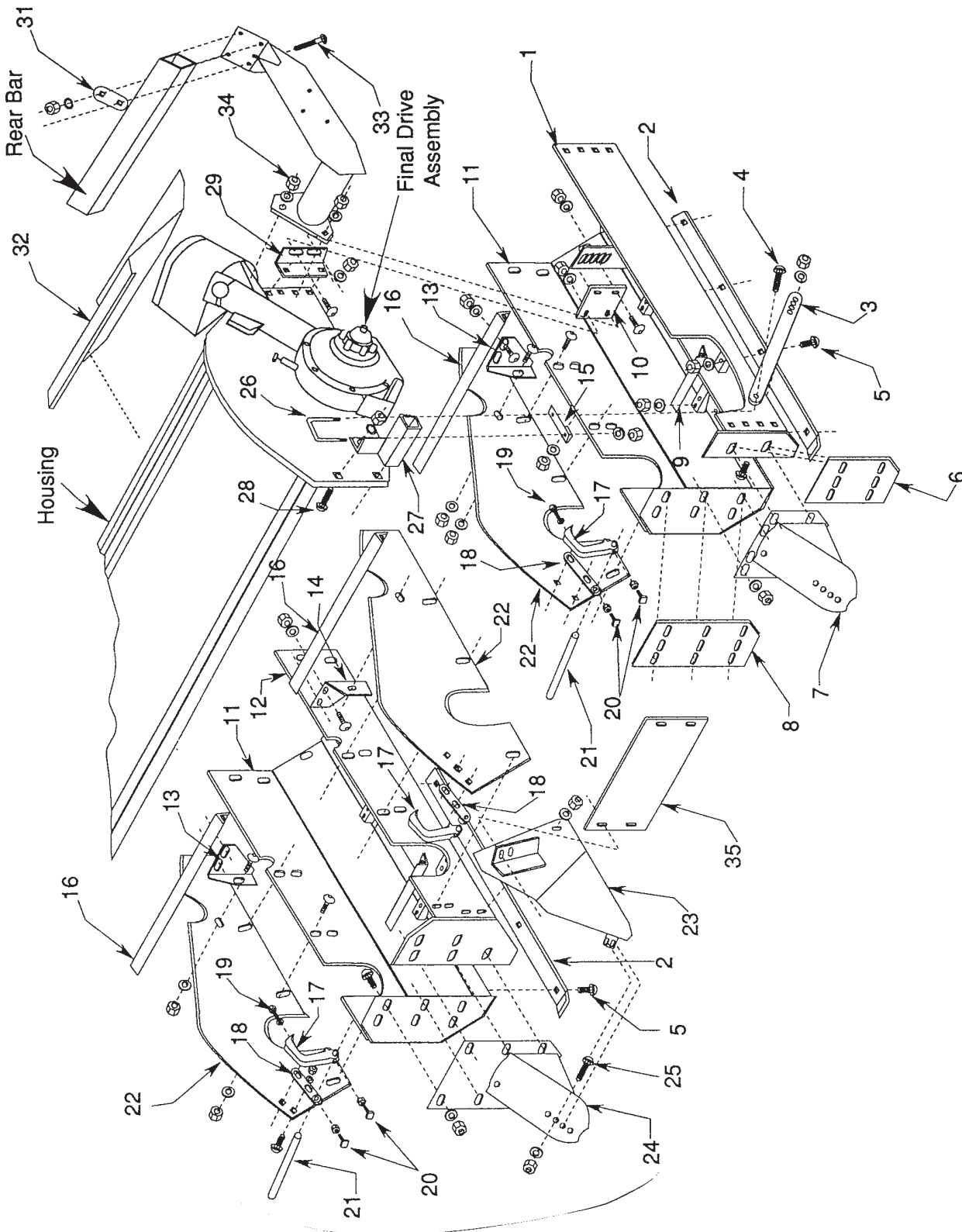


<u>Item #</u>	<u>Part #</u>	<u>No.Used</u>	<u>Description</u>
1	10793	8	5/8" Lockwasher
2	RB-31809	1	Front/Rear Bar
3	RB-620	4	Strap
4	RB-1572-2	2	Upper Shield Bedder
5	RB-2304-1		RH Former Rear 15"
5	RB-2305-1		LH Former Rear 15"
5	RB-2304-2		RH Former 12"
5	RB-2305-2		LH Former 12"
6	RB-2308	1	Shovel Mount Bracket
7	10714	18	7/16" x 1 1/4" Carriage Bolt
8	10783	8	5/8" NC Nuts
9	10747	8	5/8" NC x 4" Carriage Bolt
10	RB-317*	2	Tie Angle
11	RB-309-2	2	Skid Plate Rear Bed

Not Shown:

10765	4	7/16" x 1" Plow Bolt
10790	22	7/16" Lock Washer
10801	22	7/16" Flat Washer
10780	22	7/16" Nuts

Bedformer



Bedformer

Item	Part#	Description
1	RB-2306A	LH Former Assembly (Gear Case)
1	RB-2263A	RH Former Assembly (not shown)
2	RB-309	Skid
3	RB-1125	Hanger Strap
4	10586	1/2" x 1 1/4" Cap Screw
4	10781	1/2" Nut
4	10802	1/2" Flat Washer
5	10765A	7/16" x 1" Plow Bolt
5	10780	7/16" Nut
5	10801	7/16" Flat Washer
6	RB-269	Adaptor Plate
7	RB-2267	Shovel Mtg. Bracket
8	RB-304	Adaptor Plate
9	RB-377	Tie Angle - 13"
9	RB-317	Tie Angle - 8"
10	RB-315	Tie Plate - 5 3/4"
10	RB-269	Tie Plate - 7 1/4"
11	RB-2304	RH Bed Former Half 6"
11	RB-2392	RH Bed Former Half (Deep Former) 9"
12	RB-2305	LH Bed Former Half 6"
12	RB-2393	LH Bed Former Half (Deep Former) 9"
13	RB-1348	Hanger RH
14	RB-1349	Hanger LH
15	RB-1102	Support
16	RB-413	Support Shield
17	RB-91PS	Clamp
18	RB-92PS	Ear (Casting - Pre 1978)
18	RB-2092	Ear (Weldment)
19		3/8" x 1 1/2" Square Head Set Screw
19		3/8" Jam Nut
20	10565	3/8" x 1" Square Head Set Screw
20		3/8" Jam Nut
21	RB-218	Front Tie Rod
22	RB-282	Upper Shield
22	RB-1572	Upper Shield - High Clearance

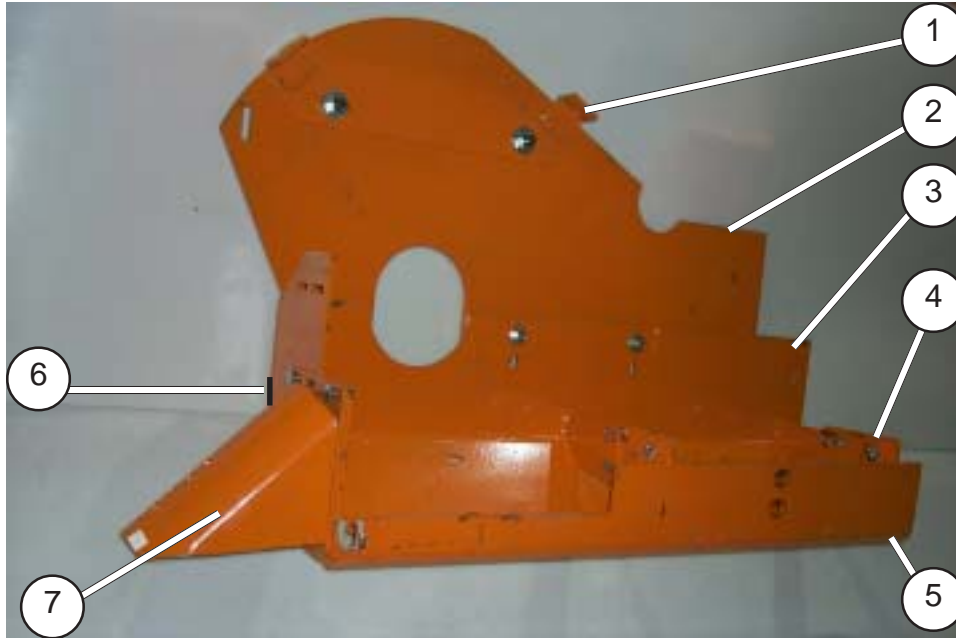
Item	Part#	Description
23	RB-2900	Deflector Shield Assembly (RH Shown)
24	RB-2308	Shovel Mtg. Bracket
25	10714	7/16" x 1 1/4" Carriage Bolt
25	10780	7/16" Nut
25	10790	7/16" Lock Washer
26	RB-1072	"U" Bolt
26	10781	1/2" Nut
26	10791	1/2" Lock Washer
27	RB-2285	End Former Bracket
28	10743	5/8" x 1 1/2" Carriage Bolt
28	10783	5/8" Nut
28	10793	5/8" Lock Washer
29	RB-244	Rear Hanger
30	RB-21440	Square Bar Bracket Assembly (Specify 9" or 4")
31	RB-620	Square Bar Strap
32	RB-2988	Apron (Specify Width)
32	RB-1591	Apron - High Clearance (Specify Width)
33	10	5/8" x 4 1/2" Carriage Bolt
33	10783	5/8" Nut
33	10793	5/8" Lock Washer
34	10728	1/2" x 1 1/2" Carriage Bolt
34	10781	1/2" Nut
34	10791	1/2" Lock Washer
35	RB-898	Dust Shield

Note: All Carriage Bolts not listed are either 7/16" x 1" part # 10713 or 7/16" x 1 1/4" part # 10714 with Nut part # 10780 and Flat Washer part # 10801.

- Bundles:**
- SRB4408 Rear Bar Bracket - Offset 12"
 - SRB4410 Rear Bar Bracket - Offset 4"
 - SRB4411 Rear Bar Bracket - Offset 9"
 - SRB4431 LH Bedder Former
 - SRB4432 RH Bedder Former
 - SRB4433 Center Bedder Former
 - SRB4434 Deflector Shields

Outer Bedformers

SRB4431 (Left) & SRB4432* (Right - Not Shown)

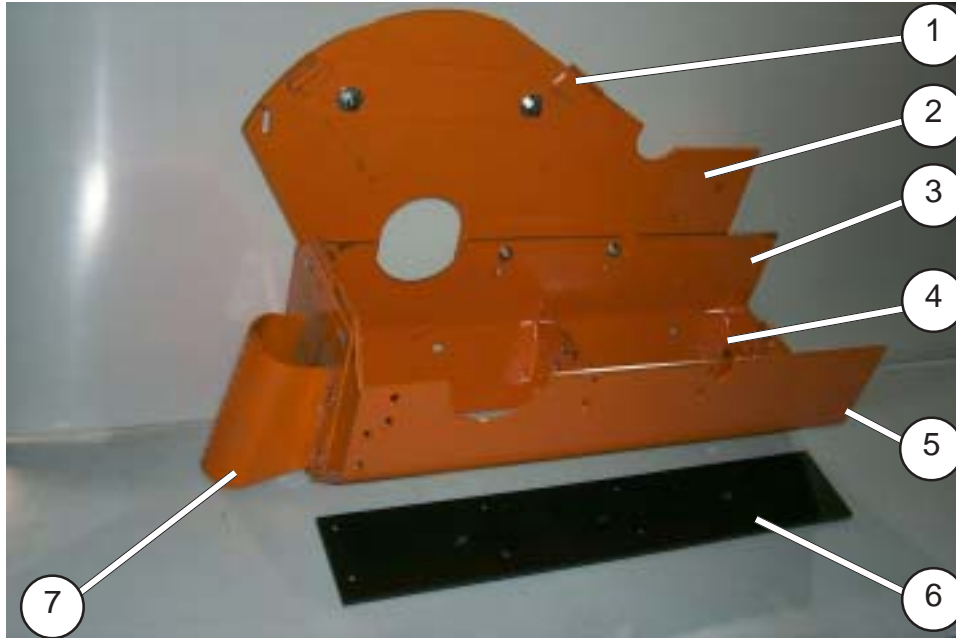


Item	Part #	No.	Description	Item	Part #	No.	Description
1	D2496-1L	1	Hanger Assembly L/H Ctr	10743		2	5/8" x 1 1/2" Carriage Bolt
1*	D2496-1R	1	Hanger Assembly R/H Ctr (not shown)	10804		2	5/8" FlatWasher
2	RB-1572-4	1	Upper Shield 5/16"	10793		2	5/8" LockWasher
3	RB-2304	1	Former Side, Bedder R/H	10783		2	5/8" NC Nut
3*	RB-2305	1	Former Side, Bedder L/H (not shown)	10714		10	7/16" x 1 1/4" Carriage Bolt
4	RB-31805	2	Spreader Plate, Bedder	10790		19	7/16" LockWasher
5	RB-2306	1	Bedformer Outer L/H	10801		19	7/16" FlatWasher
5*	RB-2263	1	Bedformer Outer R/H (not shown)	10780		19	7/16" NC Nut
6	RB-309-4R	1	Skid Plate UHMW, L/H	10728		8	1/2" x 1 1/2" Carriage Bolt
6*	RB-309-4L	1	Skid Plate UHMW, R/H (not shown)	10802		8	1/2" FlatWasher
7	RB-2267-1L	1	Shovel Mtg. Brkt, Bedder L/H	10791		8	1/2" LockWasher
7*	RB-2267-1R	1	Shovel Mtg. Brkt, Bedder R/H (not shown)	10781		8	1/2" NC Nut
				152		9	7/16" x 1 1/4" Plow Bolt

* Parts included in Bundle SRB4432 (Outer Right Hand Bedformer) plus all common parts.

Center Bedformer

SRB4433



<u>Item #</u>	<u>Part #</u>	<u>No.Used</u>	<u>Description</u>
1	D2496-1L	1	Hanger Assembly L/H Ctr
1	D2496-1R	1	Hanger Assembly R/H Ctr (not shown)
2	RB-1572-4	2	Upper Shield 5/16"
3	RB-2304	1	Former Side, Bedder R/H
4	RB-31805	2	Spreader Plate, Bedder
5	RB-2305	1	Former Side, Bedder L/H
6	RB-309-4R	1	Skid Plate UHMW
6	RB-309-4L	1	Skid Plate UHMW, Right (not shown)
7	RB-2308	1	Shovel Mtg. Brkt, Bedder
	10743	4	5/8" x 1 1/2" Carriage Bolt
	10804	4	5/8" FlatWasher
	10793	4	5/8" LockWasher
	10783	4	5/8" NC Nut
	10714	18	7/16" x 1 1/4" Carriage Bolt
	10790	36	7/16" LockWasher
	10801	36	7/16" FlatWasher
	10780	36	7/16" NC Nut
	10728	8	1/2" x 1 1/2" Carriage Bolt
	10802	8	1/2" FlatWasher
	10791	8	1/2" LockWasher
	10781	8	1/2" NC Nut
	152	18	7/16" x 1 1/4" Plow Bolt