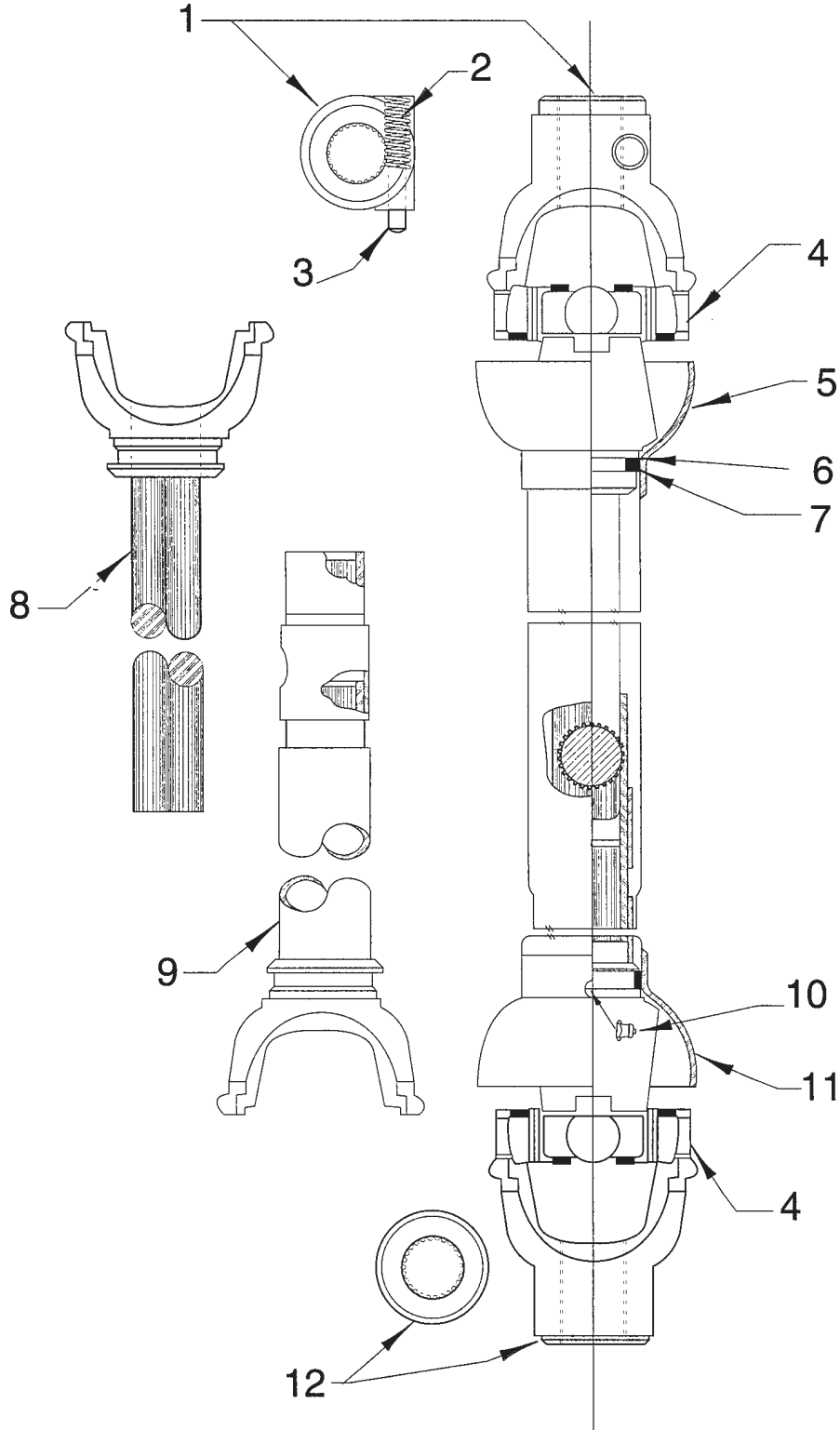


Heavy Duty Universal Shaft for Dual Drives

Northwest 58N



Northwest Heavy Duty Universal Shaft

Item #	Part #	No. Used	Description
1	L-609	1	Yoke, 1 3/8 - 21 Spline, Tractor End
1	L-610	1	Yoke, 1 3/4 - 20 Spline, Tractor End
2	L-618	1	Spring for Lock Pin (Weasler #33A24), 1 3/4 - 20 Spline
2	L-620	1	Spring for Lock Pin (Weasler #33A14), 1 3/8 - 21 Spline
3	L-619	1	Lock Pin for Yoke (Weasler #23A11), 1 3/4 - 20 Spline
3	L-622	1	Lock Pin for Yoke (Weasler #23A1), 1 3/8 - 21 Spline
4	L-642	1	Cross Repair Kit (Rockwell #CP58B)
5	L-604	1	Outer Shield, Tractor End
6	L-646	2	Bearing Retainer for Shields (Weasler #24N32)
7	L-645	2	Nylon Bearings for Shields (Weasler #4N25)
8	L-2611	1	Yoke & Splined Shaft, Tractor End
9	L-2613	1	Yoke & Splined Sleeve, Impl. End
10	RBP-920	1	Alemite # 1762B Grease Zirk
11	L-601	1	Inner Shield, Impl. End
12	L-612	1	Yoke, 1 3/4 - 10 Spline, Impl. End

BUNDLES:

SL4058 WB

NWT Co. Universal Shaft Assembly, 1 3/4 - 20 Spline Tractor End & 1 3/4 - 10 Spline Impl. End

SL4059 WB

NWT Co. Universal Shaft Assembly, 1 3/8 - 21 Spline Tractor End & 1 3/4 - 10 Spline Impl. End

SL4060 WB

NWT Co. Universal Shaft Assembly, 1 3/4 - 20 Spline Tractor EndOnly

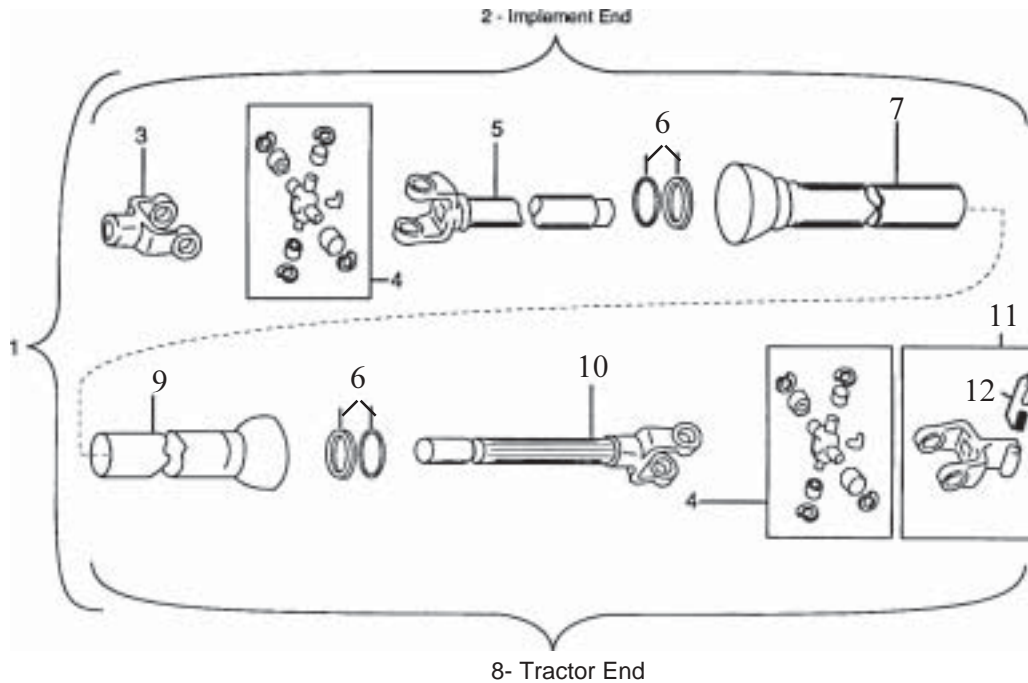
SL4061 WB

NWT Co. Universal Shaft Assembly, 1 3/8 - 21 Spline Tractor EndOnly

SL4062 WB

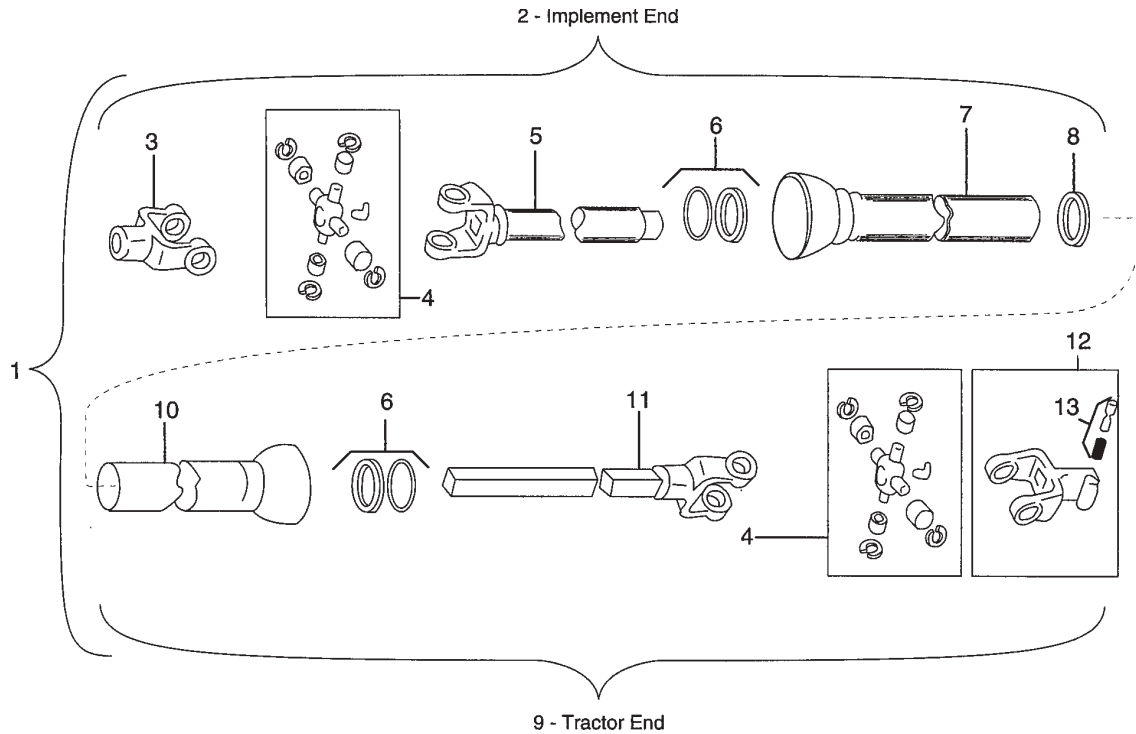
NWT Co. Universal Shaft Assembly, 1 3/4 - 10 Spline Impl. EndOnly

55NW - Weasler Universal Joint - Telescoping Assembly with Guard



<u>Item</u>	<u>Part #</u>	<u>Description</u>	<u>Item</u>	<u>Part #</u>	<u>Description</u>
1	SRB-4635	55NW Universal Joint Telescoping Assembly w/Guard Bundle (1 3/4 - 20 Spline & 1 3/4 - 10 Spline)	6	L-645A	Nylon Bearing & Bearing Retainer (One Piece)
1	SRB-4635-1	Same as SRB-4635, except +13" length	7	RBP-1097	Inner Guard
1	SRB-4634	55NW Universal Joint Telescoping Assembly w/Guard Bundle (1 3/8 - 21 Spline & 1 3/4 - 10 Spline)	7	RBP-1097-1	Inner Guard (+13" length)
1	RB-4634-1	Same as SRB-4634, except +13" length	8	RBP-1093	Joint and Shaft Half with Guard Complete (20 Spline)
1	SRB-4638	55NW Universal Joint Telescoping Assembly w/Guard Bundle (1 3/8 - 6 Spline)	8	RBP1093-6	Joint and Shaft Half with Guard Complete (6 Spline)
1	SRB-4638-1	Same as SRB-4638, except +13" length	8	RBP1093-21	Joint and Shaft Half with Guard Complete (21 Spline)
2	RBP-1092	Joint & Tube Half with Guard Complete	9	RBP-1098	Outer Guard
3	RBP-1022	End Yoke (1 3/4 - 10 Spline) Implement End	10	RBP-1095	Yoke and Shaft (20 Spline)
3	RBP-960	End Yoke (1 1/2 - 10 Spline) Implement End	11	RBP-959	Lock Yoke Assembly (1 3/8 - 21 Spline)
4	RBP-947	55NW Repair Kit	11	RBP-958	Lock Yoke Assembly (1 3/8 - 6 Spline)
5	RBP-1094	Yoke and Tube (1 3/4 - 20 Spline)	11	RB-408	Lock Yoke Assembly (1 3/4 - 20 Spline)
5	RBP-1094-1	Yoke and Tube (1 3/4 - 20 Spline) (+13" length)	12	L-620/L-622	Saf-T-Pin and Spring Kit (1 3/8 - 21 Spline)
			12	L-6184	Saf-T-Pin and Spring Kit (1 3/4 - 20 Spline)

35NW - Weasler Universal Joint - Telescoping Assembly with Guard



Item #	Part #	Description
1 (Bundle)	SRB4637	35NW Universal Joint Telescoping Assembly w/Guard (1 3/8 - 21 Spline & 1 1/2 - 10 Spline)
1 (Bundle)	RB-4636	35NW Universal Joint Telescoping Assembly w/Guard (1 3/8 - 6 Spline & 1 1/2 - 10 Spline)
1 (Bundle)	RB4636-1	35R Universal Joint Assembly w/Guard (1 3/8 - 6 Spline & 1 1/2 - 10 Spline) Medium Tiller
2	RBP-1076	Joint and Tube Half with Guard Complete
3	RBP-966	End Yoke (1 1/2 - 10 Spline) Implement End
3	RP-346	End Yoke (1 7/16 Bore) Implement End
4	RP-348	35NW Repair Kit
5	RBP-1078	Yoke and Tube
6	RBP-1080	Nylon Replacement Kit and Retainer
7	RBP-1083	Inner Guard
8	RBP-1084	Nylon Centralizer
9	RBP-1077	Joint and Shaft Half with Guard Complete (1 3/8-6 Spline)
9	RBP-1077-21	Joint and Shaft Half with Guard Complete (1 3/8-21 Spline)
10	RBP-1085	Outer Guard
11	RBP-1079	Yoke and Shaft
12	RBP-964	Lock Yoke Assembly (1 3/8 - 6 Spline)
12	RBP-965	Lock Yoke Assembly (1 3/8 - 21 Spline)
13	RBP-1082	Saf-T-Pin and Spring Kit