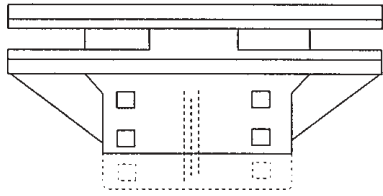
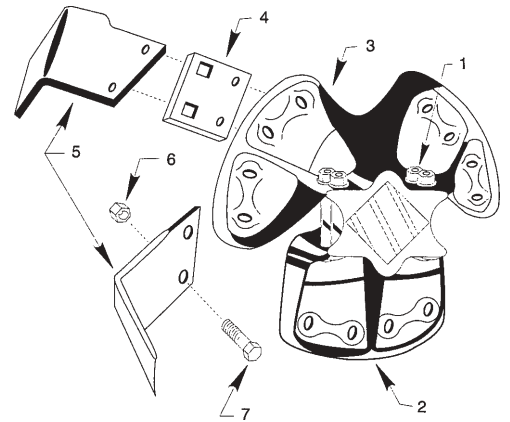


Rotors & Blades

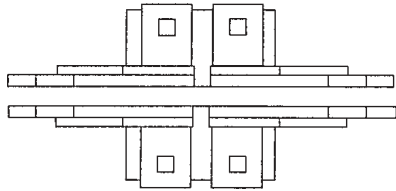


Bundle No.
SRB4520* (4 Bolt)

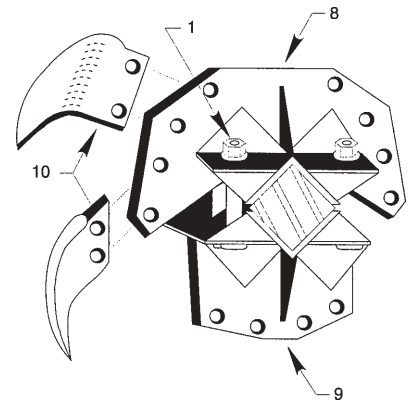
Bundle No.
SRB4525* (6 Bolt)



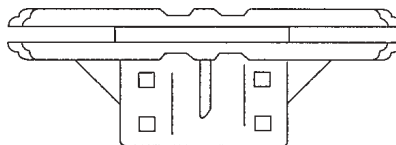
Item	Part #	Description
1	RB-1138	3/4" NC x 5" Carriage Bolt
1	10784	3/4" Nut
1	10794	3/4" Lock Washer
2	RB-42	2-Blade Rotor - 4 Bolt
2	RB-62	2-Blade Rotor - 6 Bolt
3	RB-44	4-Blade Rotor - 4 Bolt
3	RB-64	4-Blade Rotor - 6 Bolt
4	RB-434	2 3/4" Blade Extension
5	RB-26H	3/8" Hardfaced Blade RH
5	RB-27H	3/8" Hardfaced Blade LH
5	RB-26	3/8" Blade RH
5	RB-27	3/8" Blade LH



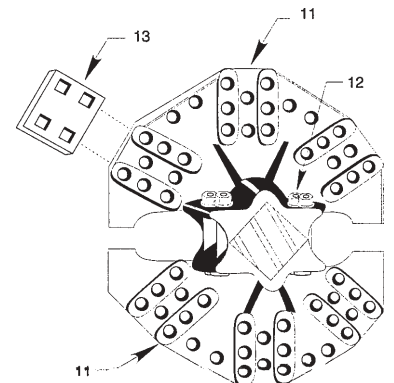
Bundle No.
SRB4775*



6	R-49	5/8" Grip Nut
7	R-46**	5/8" x 2" Blade Bolt
8	RB-21961	4-Blade Rotor - Fabricated
9	RB-21960	2-Blade Rotor - Fabricated
10	RB-39	3/8" Sabre Blade LH
10	RB-40	3/8" Sabre Blade RH
11	R-50	Rotor
12	31	5/8" NC x 3 1/2" Carriage Bolt
12	10783	5/8" Nut
12	10793	5/8" Lock Washer
13	RB-435	2 7/8" Blade Extension, High Clearance Only

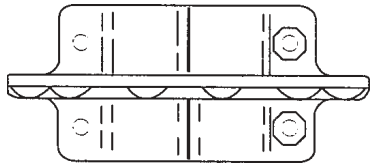


Bundle No.
SRB4067*



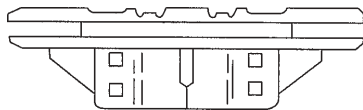
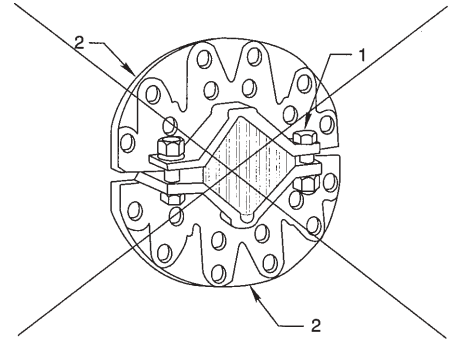
*Bundles INCLUDE Rotors & Rotor Bolts only.
**This Blade Bolt is used with all Rotors & Blades.

Rotors & Blades



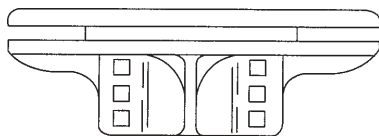
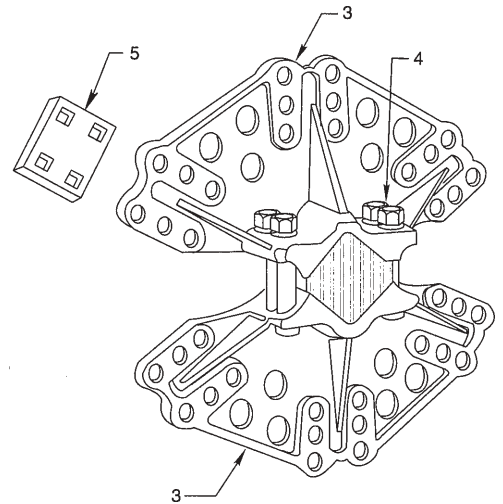
**Bundle No.
SRB4009**

<u>Item</u>	<u>Part #</u>	<u>Description</u>
1	10744	5/8" NC x 2" Carriage Bolt
1	10783	5/8" Nut
1	10793	5/8" Lock Washer
2	R-9	Rotor



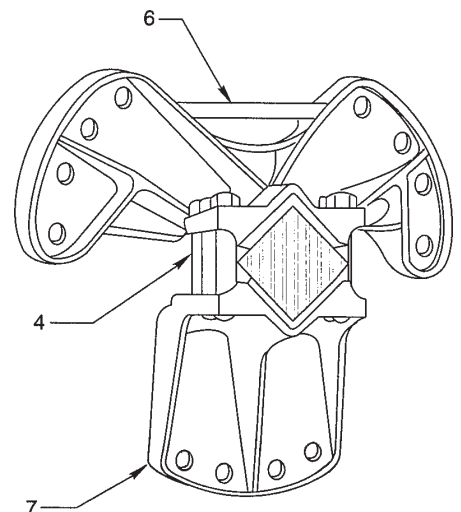
**Bundle No.
SD4150*

3	D-150	Rotor - High Clearance Tiller
4	RB-1138	3/4" NC x 5" Carriage Bolt
4	10784	3/4" Nut
4	10794	3/4" Lock Washer
5	RB-433	Blade Extension 1 5/8" High Clearance



**Bundle No.
SD4082**

6	D-84	Rotor - 4 Blade, High Clearance
7	D-82	Rotor - 2 Blade, High Clearance



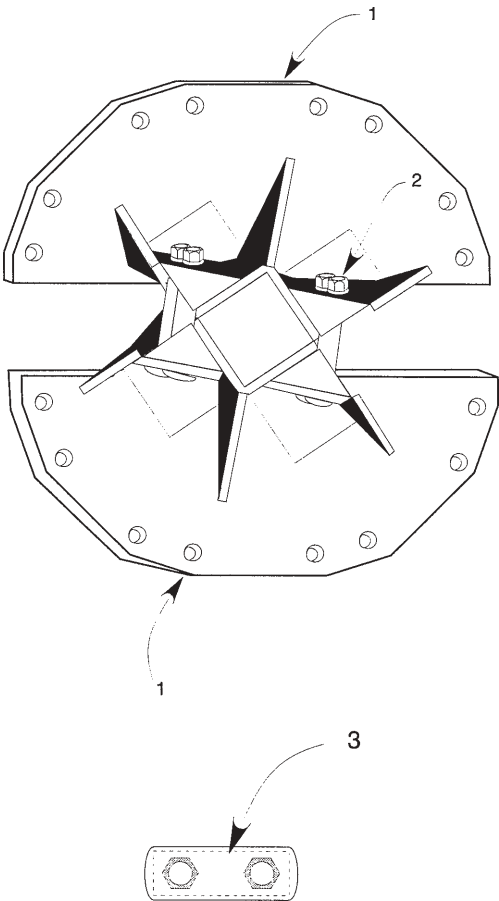
* .. Bundles Include Rotors & Rotor Bolts Only

** Sabre Blades can only be used with these rotors in a High Clearance Tiller

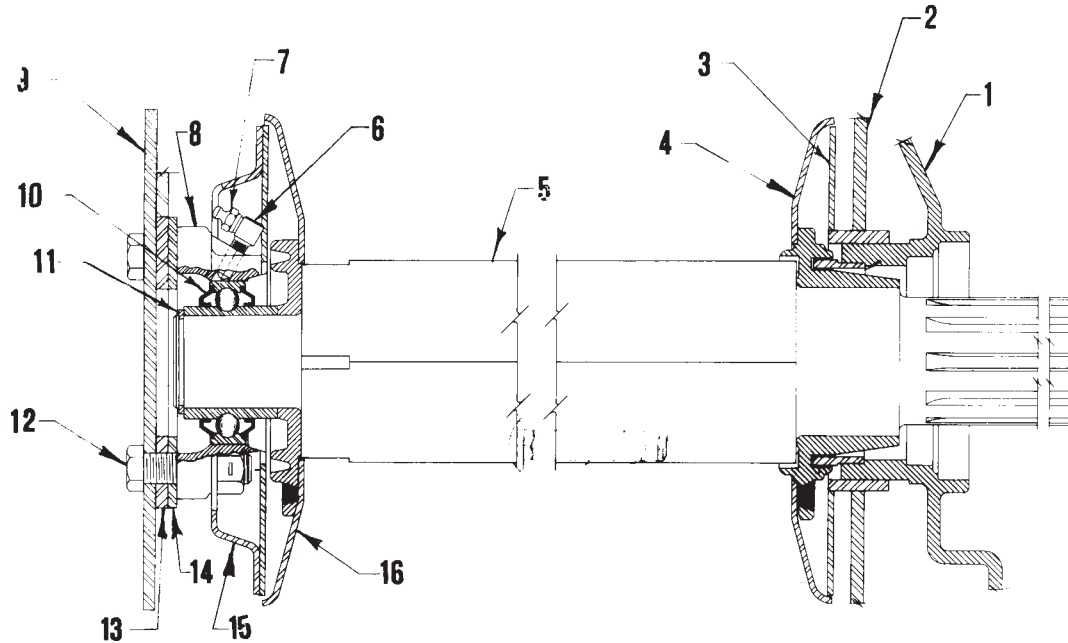
Rotors & Blades

Bundle No. SRB4807

<u>Item</u>	<u>Part #</u>	<u>Description</u>
1	A-2092	Rotor
2	10744	5/8" NC x 2" Carriage Bolt
2	10783	5/8" Nut
2	10793	5/8" Lock Washer
3	RB-1352	Retainer Bar



Model "RB" Rotary Tiller
Anti-Wrap & Inboard Bearing Assembly



<u>Item #</u>	<u>Part #</u>	<u>Description</u>
1		Gear Case - Standard
2 & 3	RB-21987	Alignment Plate
4	RB-21851PS	Anti-Wrap Shield
5	RB-990PS	Rotor Shaft (Specify Width of Tiller)
6	RB-936	90° Zirk Fitting Adaptor - Alemite 44701
7	RBP-1039	1/8" Zirk Fitting - Alemite 1650
8	RBP-1855PS	Bearing Housing
9	RB-1573	Support Flange
10	RP-319	Bearing - Fafnir G1115KPPB3
11	RP-321	Snap Ring - Eaton 1065R
12	10611	5/8 x 2 1/4" Cap Screw
12	R-49	5/8" Grip Nut
13	RB-1571	Bearing Housing Shim (yellow)
14	RB-888	Bearing Shim
15	RB-21682	Anti-Wrap Seal
16	RB-21681PS	Anti-Wrap

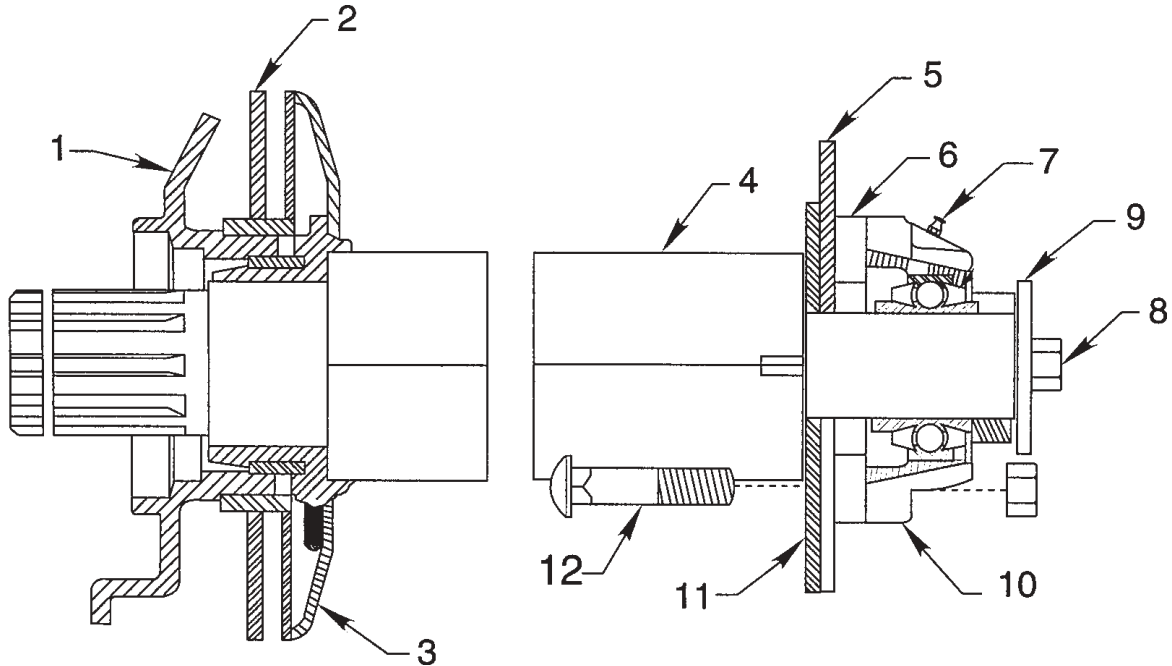
Bundles: SRB4612

 SRB4614.....

 Anti-Wrap & Bearing Assembly

 Anti-Wrap Assembly (Gear Case only)

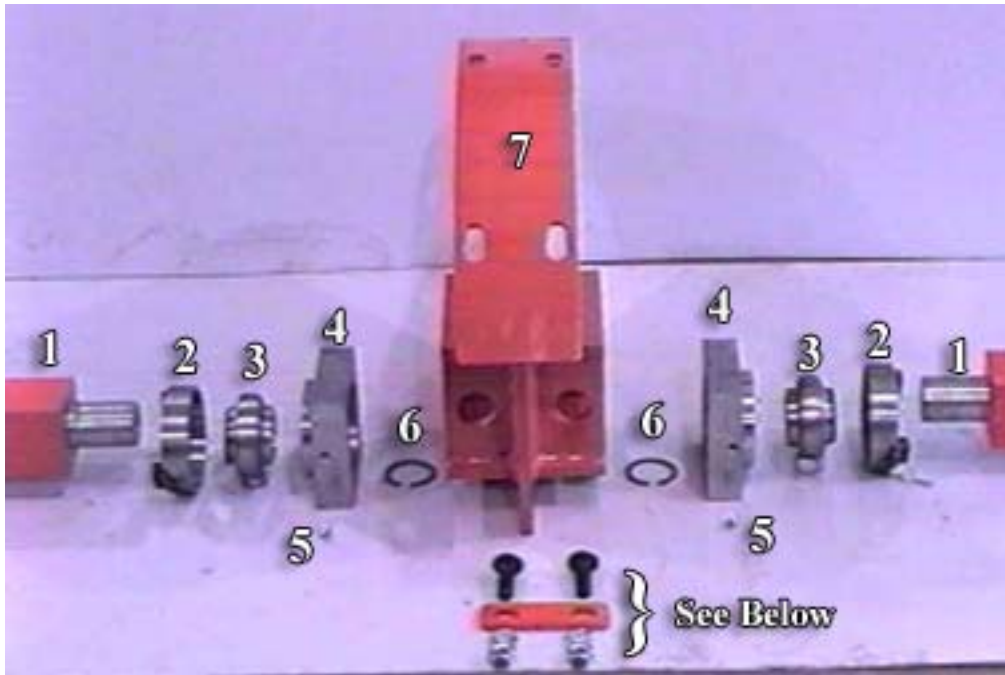
Model "RB" Rotary Tiller
Anti-Wrap & Outboard Bearing Assembly



Item #	Part #	Description
1		Gear Case - Heavy Duty
2	RB-21987	L.H. End Plate
3	RB-21851PS	Anti-Wrap Shield
4	RB-1636PS	Rotor Shaft (Specify Width of Tiller)
5	RB-1574	Support Flange
6	RB-1066	Bearing Spacer
7	RBP-1039	1/8" Zirk Fitting - Alemite 1650
8	10607	5/8" NC x 1 1/4" Cap Screw
8	10793	5/8" Lock Washer
9	RB-1164	Washer
10	RBP-908	Bearing w/Collar - Fafnir TCJ 1-15/16
11	RB-1064	End Plate Reinforcing
12	10745	5/8" x 2 1/2" Carriage Bolt
12	R-49	5/8" Grip Nut

Bundles: SRB4614 Anti-Wrap Assembly (Gear Case Only)

Floating Center Bearing - Dual Drive SRB4612-2



Item #	Part #	No	Description
1	D-426	2	Rotor Shaft (specify length)
2	RB-142	2	Anti-Wrap
3	RP-319	2	Bearing Fafnir
4	RB-1857	2	Bearing Block
5	RBP-1039	2	1/8" Zirk Fitting
6	RP-321	2	Snap Ring
7	D-2540-4	1	Center Plate
8	22	6	5/8" x 1 3/4" Lg. Carriage Bolt
9	D-498	3	Strap
10	10793	6	5/8" Lock Washer
11	10783	6	5/8" NC Nut

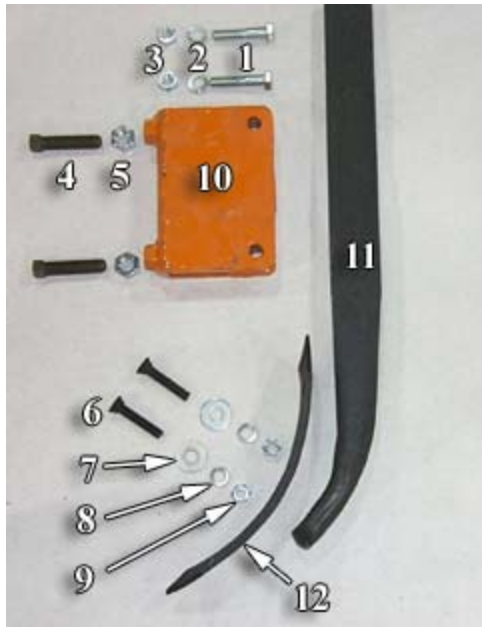
Not Shown (see Pg E7):

RB-31867	1	Center Plate Clamp
RBP-998	1	Shovel Inside Drive
RB-31868PS	1	Shank Cut 7 3/4"

BUNDLES:

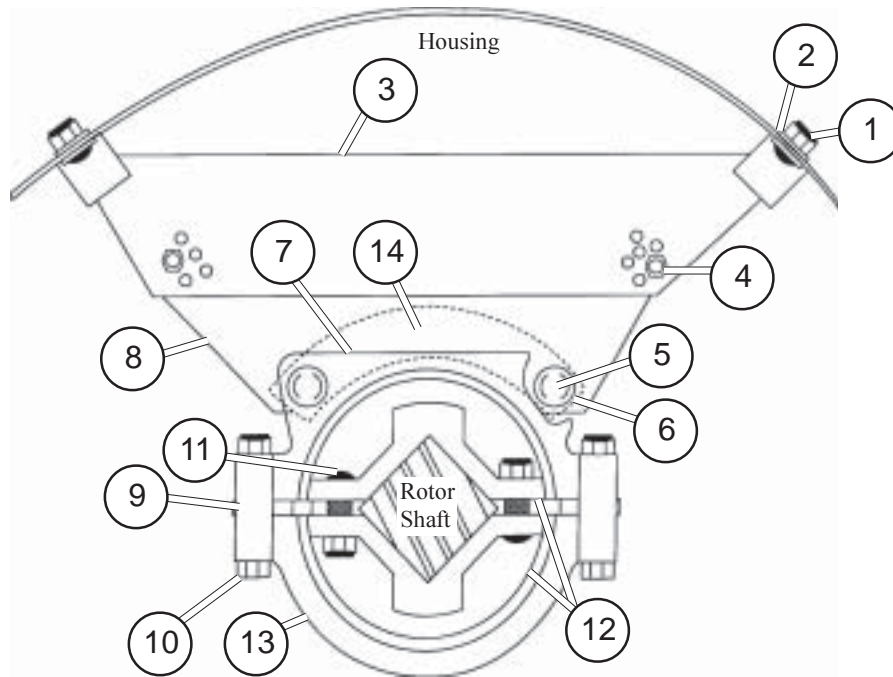
SRB4612-2	AntiWrap & Bearing Assembly
SRB2147	Center Plate Shank and Clamp

Center Plate Clamp & Shank SRB2147



<u>Item #</u>	<u>Part #</u>	<u>No</u>	<u>Description</u>
1	10590	2	1/2" x 2 1/4" Cap Screw
2	10791	2	1/2" LockWasher
3	10781	2	1/2" NC Nut
4	16	2	5/8" x 2 1/2" SQ Head Screw
5	10783	2	5/8" NC Nut
6	10767	2	7/16" x 2 1/4" Plow Bolt
7	10801	2	7/16" FlatWasher
8	10790	2	7/16" LockWasher
9	10780	2	7/16" NC Nut
10	RB-31867	1	Center Plate Clamp
11	RB-31868PS	1	Shank Cut 7 3/4"
12	RBP-998	1	Shovel Inside Drive

Center Bearing

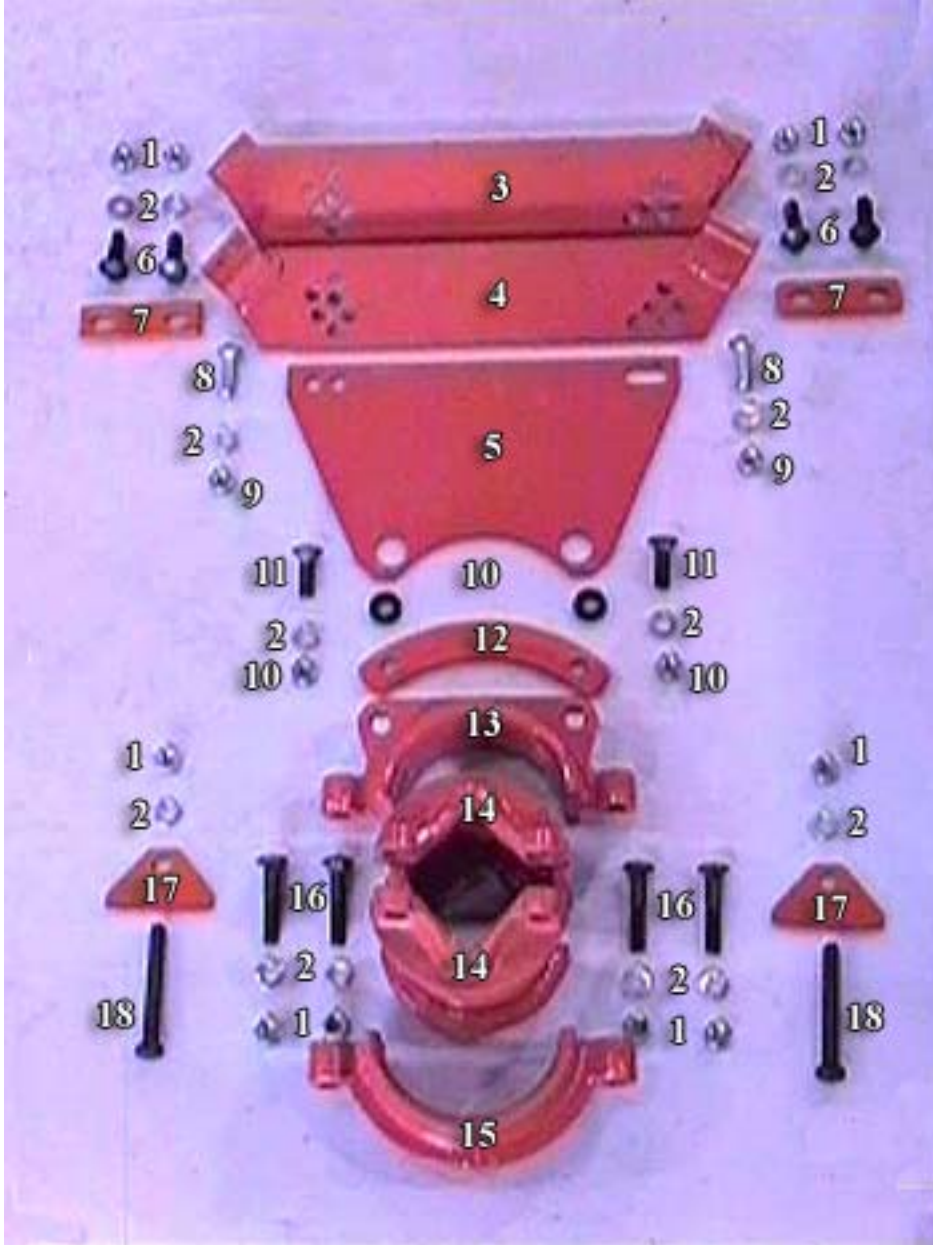


<u>Item</u>	<u>Part #</u>	<u>No. Used</u>	<u>Description</u>
1	22	2	5/8" x 1 3/4" Lg. Cge. Bolt
1	10783	2	Nut
1	10793	2	Lockwasher
2	D-498	2	Strap
3	D-2496L	1	Hanger Assembly
4	10608	2	5/8" N.C. x 1 1/2" Lg. Cap Screw *
5	10744	2	5/8" N.C. x 2" Lg. Cge. Bolt *
6	D-500	2	Bushing
7	RB-21	1	Bearing Housing Top
8	RB-1281	1	Web - "RB" Tiller Only
8	D-495	1	Web - High Clearance Tiller Only
9	RB-129	2	Shim
10	10617	2	5/8" N.C. x 3 3/4" Lg. Cap Screw *
11	10746	4	5/8" N.C. x 3 " Lg. Cge. *
12	RB-23	2	Bearing Hub
13	RB-24	1	Bearing Housing Bottom
14	D-499	1	Reinforcing Strap
*	R-49	10 (total)	Grip Nut 5/8" (for items 4, 5, 10, & 11)

BUNDLES:

- SRB4225 Bearing Assembly (1 RB-21, 2 RB-23, 1 RB-24, 2 RB-129 w/Bolts)
- SD4160 Web Assembly, "RB" Tiller Only (1 RB-1281 & 2 D-500 & 1 D-499)
- SD4161 Web Assembly, High Clearance Only (1 D-495 & 2 D-500& 1 D-499)
- SD4198 Center Bearing Assembly Complete - High Clearance Tiller Only
- SD4199 Center Bearing Assembly Complete - "RB" Tiller Only

Center Bearing - SD4198 / SD4199

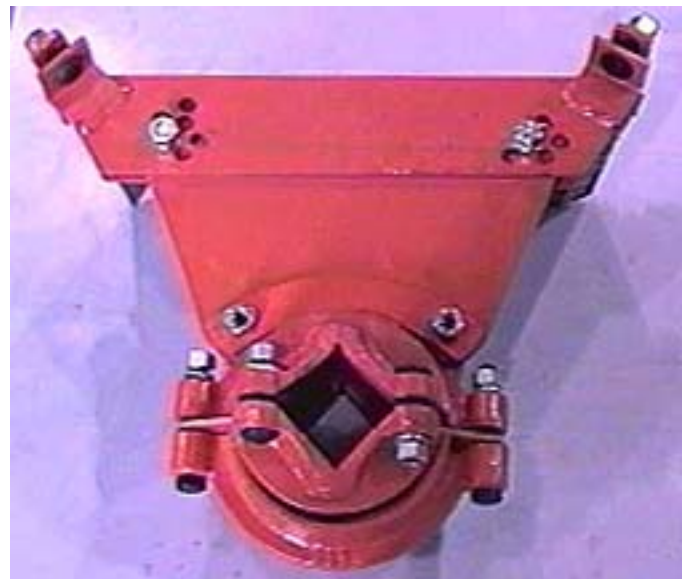


Center Bearing - SD4198 / SD4199

<u>Item #</u>	<u>Part #</u>	<u>No</u>	<u>Description</u>
1	10783	4	5/8" NC Nut
2	10793	14	5/8" Lock Washer
3	D-2496L	1	Hanger Assy (Left)
4	D-2496R	1	Hanger Assy (Right)
5	RB-1281	1	Web (RB Tiller Only)
5	D-495	1	Web (High Clearance Only)
6	22	4	5/8 x 1 3/4 Lg. Carriage Bolt
7	D-498	2	Strap
8	10608	2	5/8" NC x 1 1/2" Cap Screw
9	R-49	10	5/8" NC Grip Nut
10	D-500	2	Bushing
11	10744	2	5/8" NC x 2" Lg. Carriage Bolt
12	D-499	1	Reinforcement Stap
13	RB-21	1	Bearing Housing Top
14	RB-23	2	Bearing Hub
15	RB-24	1	Bearing Housing Bottom
16	10746	4	5/8" NC x 3" Lg. Carriage Bolt
17	RB-129	2	Shim
18	10617	2	5/8" x 3 3/4" Lg. Cap Screw

BUNDLES:

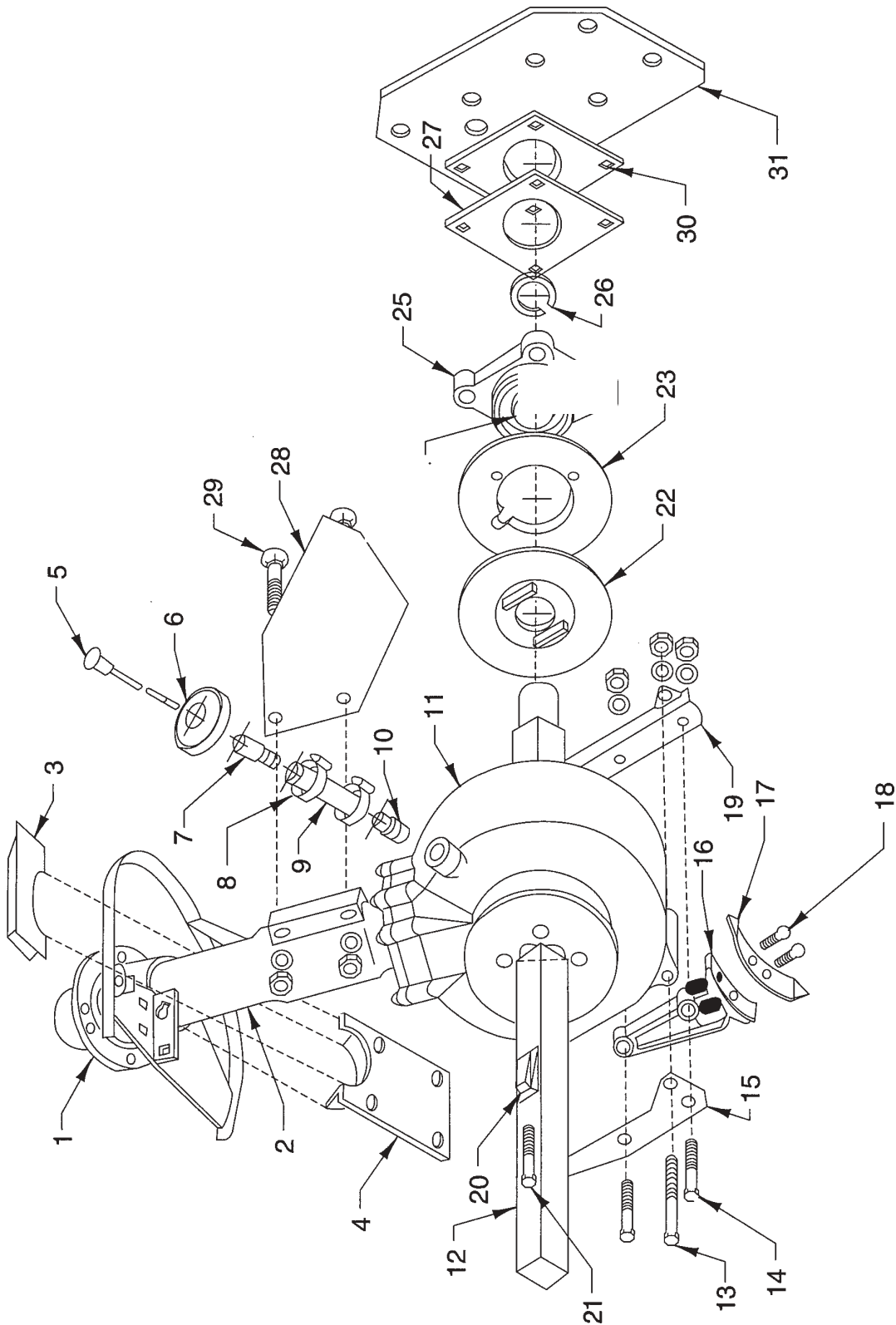
- SRB4225 Bearing Assembly (1 RB-21, 2 RB-23, 1 RB-24, 2 RB-129 w/ bolts)
- SD4160 Web Assembly, "RB" Tiller Only (1 RB-1281, 2 D-500, 1 D-499)
- SD4161 Web Assembly, High Clearance Only (1 RB-495, 2 D-500, 1 D-499)
- SD4198 Center Bearing Assembly Complete - High Clearance Only
- SD4199 Center Bearing Assembly Complete - "RB" Tiller Only



Standard Duty Inside Drive Assembly

<u>Item</u>	<u>Part #</u>	<u>Description</u>	<u>Item #</u>	<u>Part #</u>	<u>Description</u>
1	RB-271PS	Sheave Hub, 1 1/2" - 10 Spline	23	RB-21682	Disc Seal (Flat) (2)
2	RB-21677	Stop Bracket	24	RP-319	Bearing - Fafnir G1115KRRB
3	RB-2200	Standard Duty Torque Tube	25	RBP-1855PS	Bearing Housing (2)
4	RB-2594	Rub Bar	26	RP-321	Retaining Ring - Eaton 1065R (2)
5	RB-1828	Dipstick	27	RB-888	Bearing Housing Shim (2)
6	RB-1800	Dipstick Rubber Grommet	28	RB-827	Oil Tube Shield (2)
7	RB-1830	Dipstick Tube	29	RB-1028	5/8" 11 NC x 2 3/4" Carriage Bolt (2)
8		1 1/2" Hose Clamp U-216 (2)	29	10783	5/8" Hex Nut (2)
9	RB-1477	1" ID Neoprene or Oil Resistant Hose	29	10793	5/8" Lock Washer (2)
10	RB-1831	Gear Case Pipe	30	RB-1571	Bearing Housing Shim (2)
11	SRB4500	Standard Duty Vineyard Tiller Gear Case (Complete)	31	RB-1573	Support Flange (2)
12	RB-291	Rotor Shaft - 5' (Specify Length)			
13	10595	1 1/2" 13 NC x 3 1/2" Cap Screw (2)			
13	10781	1/2" Hex Nut (2)			
13	10791	1/2" Lock Washer (2)			
14	10590	1/2" 13 NC x 2 1/4" Cap Screw (2)			
14	10781	1/2" Hex Nut (2)			
14	10791	1/2" Lock Washer (2)			
15	RB-1611	Angle, Ridge Buster			
16	RB-25	Ridge Buster			
17	RBP-998	Shovel - IF-110			
18	10765	7/16" 14 NC x 1 1/4" Plow Bolt (2)			
18	10780	7/16" Hex Nut (2)			
18	10790	7/16" Lock Washer (2)			
19	RB-21610	Bracket, Ridge Buster			
20	RB-1438	Rotor Shaft Shim - Long (2)			
21	RB-1437	Rotor Shaft Shim - Short (2)			
22	RB-21681PS	Anti-Wrap Disc (Dished) (2)			

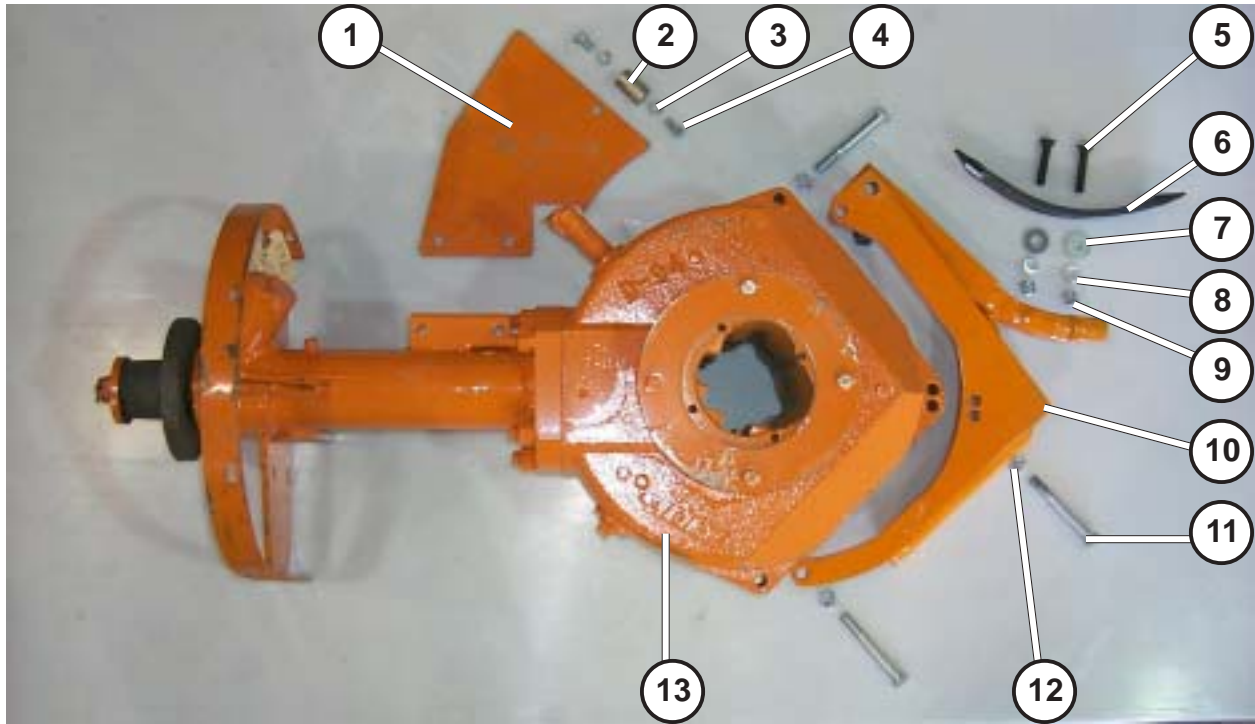
Heavy Duty Inside Drive Assembly



Heavy Duty Inside Drive Assembly

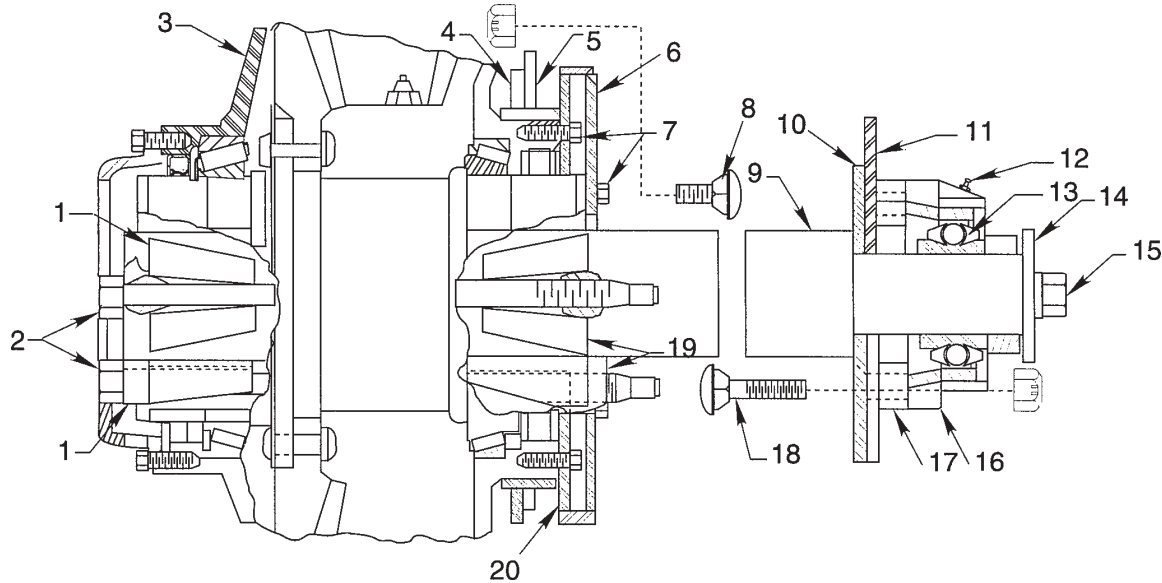
<u>Item</u>	<u>Part #</u>	<u>Description</u>	<u>Item</u>	<u>Part #</u>	<u>Description</u>
1	RB-127PS	Sheave Hub, 1 3/4" - 10 Spline	17	RBP-998	Shovel - IF-110
2	RB-21727	Heavy Duty Torque Tube	18	10765	7/16" 14 NC x 1 1/4" Plow Bolt (2)
3	RB-21808	Upper Rest, Torque Tube	18	10780	7/16" Hex Nut (2)
4	RB-21813	Lower Rest, Torque Tube	18	10790	7/16" Lock Washer (2)
5	RB-1828	Dipstick	19	RB-21737	Bracket, Ridge Buster
6	RB-1800	Dipstick Rubber Grommet	20	D-4PS	Wedge (Threaded) (2)
7	RB-1830	Dipstick Tube	20	D-5PS	Wedge (Drilled) (2)
8		1 1/2" Hose Clamp - U-216 Hose (2)	21	RB-2126	5/8" 11 NC x 5 1/2" Cap Screw (4)
9	RB-1447	1" ID Neoprene or Oil Resis- tant Hose	22	RB-21681PS	Anti-Wrap Disc (Dished) (2)
10	RB-1831	Gear Case Pipe	23	RB-21682	Disc Seal (Flat) (2)
11	SDV5105-1	Heavy Duty Vineyard Tiller Gear Case (Complete)	25	RBP-1855PS	Bearing Housing (2)
12	RB-1089	Rotor Shaft - 8' (Specify Length)	26	RP-321	Retaining Ring - Eaton 1065R (2)
13	10595	1 1/2" 13 NC x 3 1/2" Cap Screw (2)	27	RB-888	Bearing Housing Shim (2)
13	10781	1/2" Hex Nut (2)	28	RB-1726	Support Plate (2)
13	10791	1/2" Lock Washer (2)	29	RB-1028	5/8" 11 NC x 2 3/4" Carriage Bolt (2)
14	10590	1/2" 13 NC x 2 1/4" Cap Screw (2)	29	10783	5/8" Hex Nut (2)
14	10781	1/2" Hex Nut (2)	29	10793	5/8" Lock Washer (2)
14	10791	1/2" Lock Washer (2)	30	RB-1571	Bearing Housing Shim (2)
15	RB-1711	Plate, Ridge Buster	31	RB-1573	Support Flange (2)
16	RB-25	Ridge Buster			

Gearcase Opener SRB-4323



<u>Item #</u>	<u>Part #</u>	<u>No</u>	<u>Description</u>
1	RB-31852	2	Torque Tube Guard
2	RB-31823-4	1	Spacer Shaft
3	24	2	3/8" Lock Washer
4	3371	2	3/8" x 3/4"NC Cap Screw
5	10767	2	7/16" NC x 2 1/4" Plow Bolt
6	RBP-998	1	Shovel - IF-110
7	10801	2	7/16" Flat Washer
8	10790	2	7/16" Lock Washer
9	10780	2	7/16" Hex Nut
10	D-2335-1PSL	1	GC Opener
11	10597	3	1/2" x 4"NC Cap Screw
12	20042	3	1/2" Grip Nut
13	"D" Gearcase		"D" Gearcase

**"RB" & "D" Square Hub
Anti-Wrap and Outboard Bearing Assembly**

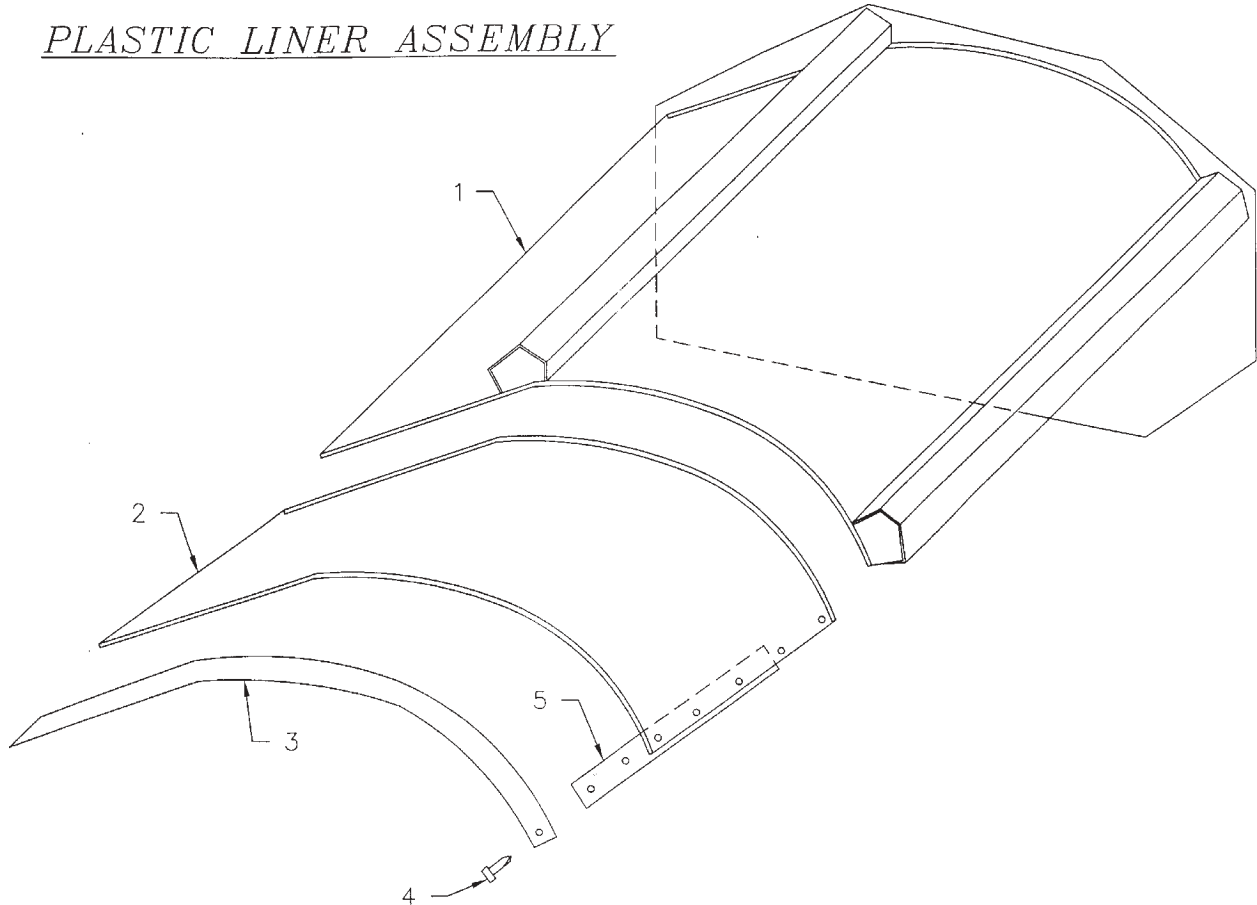


<u>Item</u>	<u>Part #</u>	<u>Qty.</u>	<u>Description</u>
1	D-5PS	2	Wedge (Drilled only)
2	RB-2126	2	Wedge Bolt
3	SRB4700	1	Gear Case Assembly
3	SD4105	1	Gear Case Assembly
3	SD5105	1	Gear Case Assembly
4	D-2420	1	Support Flange Assembly
5			L.H. End Plate
6	RB-21581	1	Anti-Wrap Cover
7	10563	8	3/8" NC x 3/4" Cap Screw
7	24	8	3/8" Lock Washer
8	10743	4	5/8" NC x 1 1/2" Carriage Bolt
8	R-49	4	5/8" Grip Nut
9	D-426PS	1	Rotor Shaft (D-426PS - 6', D-427PS - 7', etc.)
10	RB-1064	1	Reinforcing Plate
11			R.H. End Plate
12	RBP-1039	1	1/8" Zirk Fitting - Alemite 1650
13	RP-319	1	Bearing & Collar - Fafnir G1115KRR
14	RB-1164	1	Washer
15	10607	1	5/8" NC x 1 1/4" Cap Screw
15	10793	1	5/8" Lock Washer
16	RBP-908	1	Bearing & Collar - Fafnir TCJ 1 15/16
17	RB-1066	4	Bearing Spacer
18	10745	4	5/8" NC x 2 1/2" Carriage Bolt
18	R-49	4	5/8" Grip Nut
19	D-4PS	2	Wedge (Threaded Only)
20	RB-21633	1	Anti-Wrap Plate

Plastic Liner Assembly

Bundle No. SRB4511*

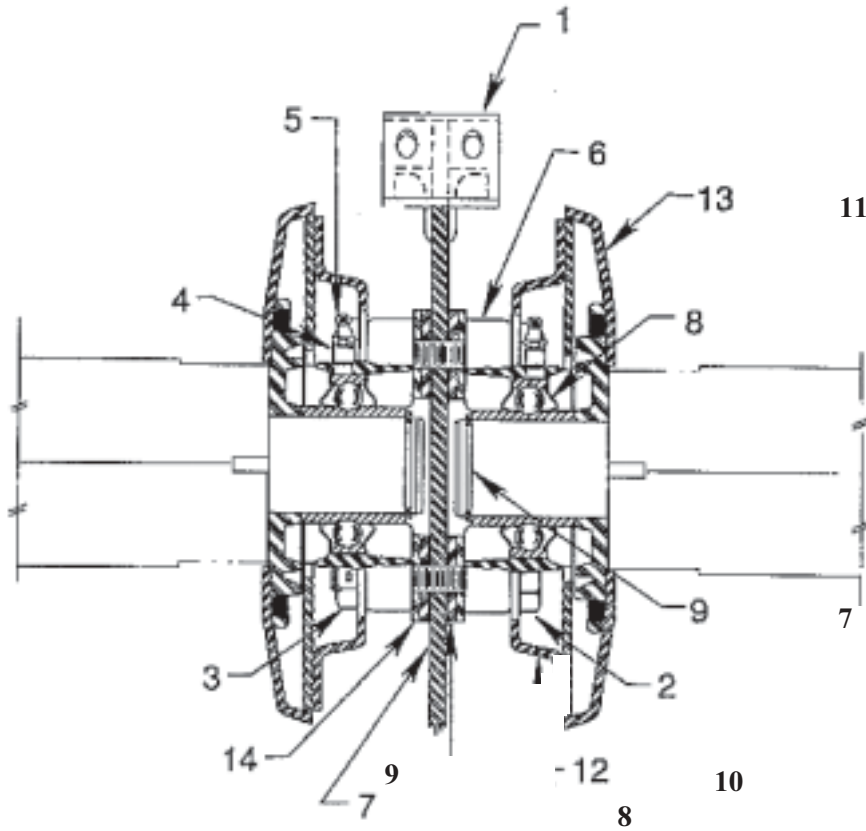
PLASTIC LINER ASSEMBLY



<u>Item #</u>	<u>Part #</u>	<u>No</u>	<u>Description</u>
1			Main Frame
2	RB-1194		Plastic Liner
3	L-135		Retainer Strap
4	62		5/16NC x 3/4 Self Tap
5	RB-12-(length)		Retainer Strap

Available as a Bundle only. Specify length when ordering.

Dual Drive Center Support Hanger & Bearing Assembly



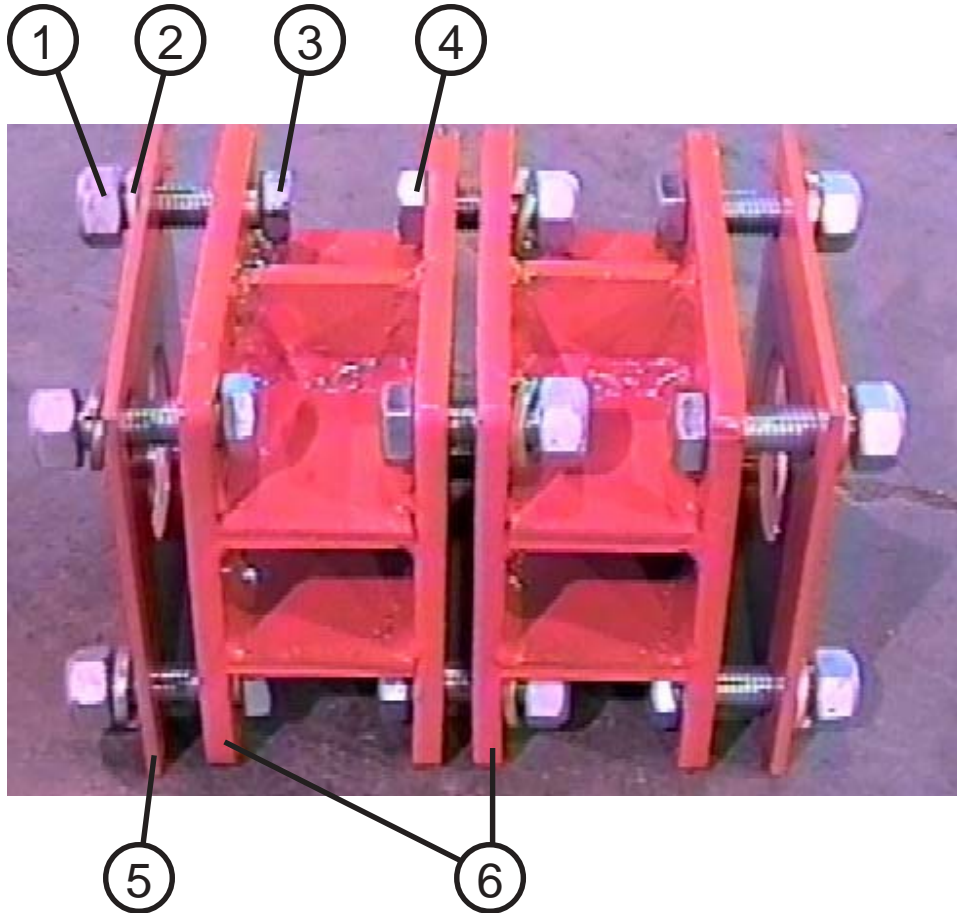
<u>Item #</u>	<u>Part #</u>	<u>Description</u>
1	D-2640	Center Plate Assembly
2	5/8 x 5 1/2 Cap Screw (4x)
3	R-49	5/8 Grip Nut (4x)
4	RB-936	90° Zirk Fitting Adaptor (Alemite 44701)
5	RBP-1039	1/8" Zirk Fitting (Alemite 1650)
6	RBP-1855-1PS	Bearing Housing
7	RP-321	Snap Ring - Eaton 1065R
8	RB-1571	Bearing Housing Shim (yellow) 1/4"
9	RB-888	Bearing Shim 3/16"
10	RB-21682	Anti-Wrap Seal
11	RB-21681PS	Anti-Wrap

Bundles: SRB4612

 SRB4614

Dual Drive Center Bearing Assembly

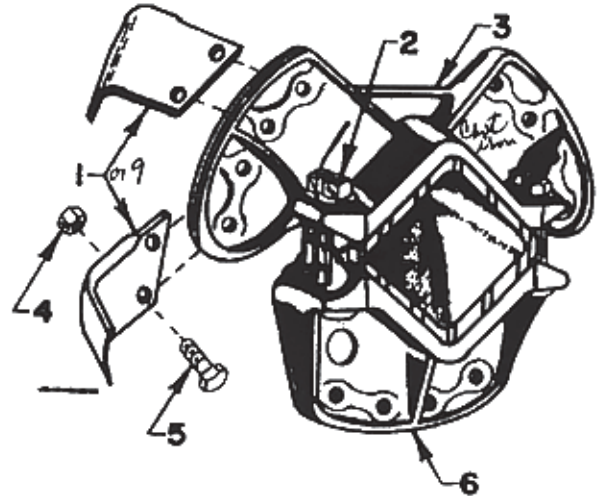
(December 5, 1995)



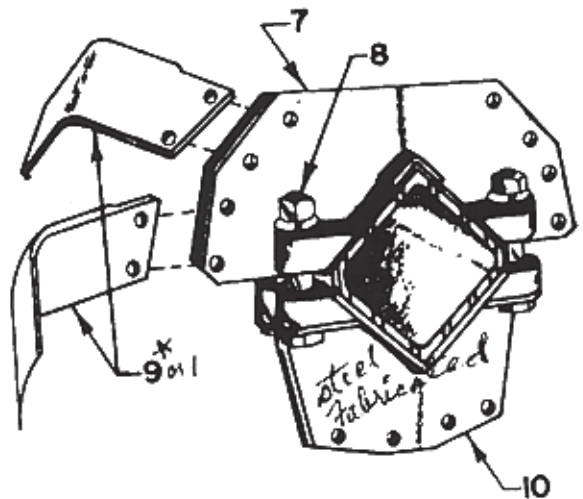
<u>Item #</u>	<u>Part #</u>	<u>Description</u>
1	R-49	5/8 Grip Nut (12 req.)
2	10793	5/8 Lock Washer (12 req.)
3	10610	F HHCS 5/8 x 2 (8 req.)
4	10609	F HHCS 5/8 x 1 3/4 (4 req.)
5	RB-888	Bearing Shim 3/16 (2 req.)
6	RB-32478	Bearing Offset (2 req.)
(Items 1-6)	SRB32478	Bundle
7	RBP-1855PS	Bearing Cast Iron Housing (2 req.) Not Shown
8	RBP-2254PS	Bearing Steel Housing (2 req.) Not Shown

"L" Rotors & Blades

<u>Item</u>	<u>Part #</u>	<u>Description</u>
1	L-78	Stub Blade R.H.
1	L-77	Stub Blade L.H.
2	RB-1138	3/4" x 5" Carriage Bolt
2	10784	3/4" Nut
2	10794	3/4" Lock Washer
3	L-74	4-Blade Rotor
4	R-49	5/8" NC Grip Nut
5	R-46A	Blade Bolt 5/8 x 2"
6	L-72	2-Blade Rotor
7	L-21285	4-Blade Rotor Fabricated

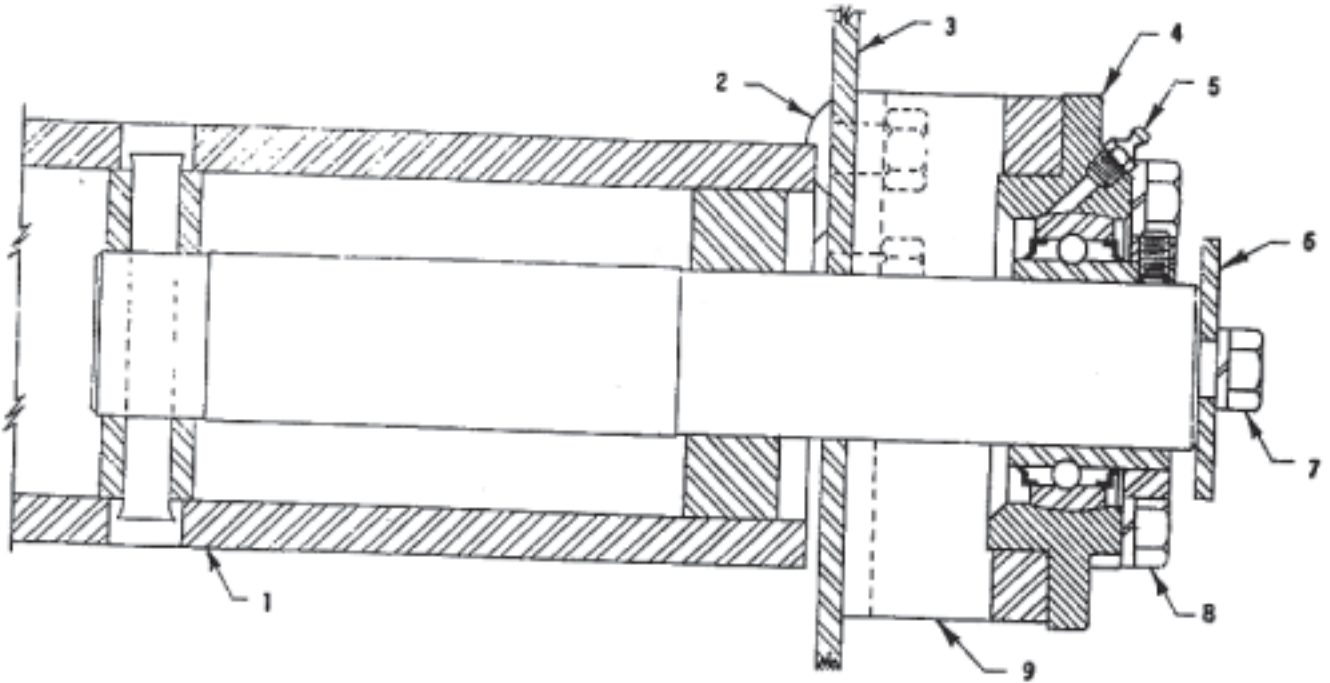


8	7/8" x Cap Screw	
8	7/8" Nut	
8	7/8" Lock Washer	
9	L-82	7/16" Blade R.H.
9	L-83	7/16" Blade L.H.
10	L-21286	2-Blade Rotor Fabricated



* Blades are interchangeable.

Model "L" Tiller
Rotor & End Bearing Assembly



<u>Item #</u>	<u>Part #</u>	<u>Description</u>
1	L-2058	Rotor Shaft
2	5/8" x 1 1/4" Carriage Bolt
2	R-49	5/8" Grip Nut
3	Housing End Plate
4	L-177	Flange Bearing - Fafnir RFC 2 3/16
5	RBP-1030 ..	1/8" Grease Fitting - Alemite 1650
6	L-62	Rotor Shaft Cap
7	10607	5/8" x 1 1/4" Hex Cap Screw
7	10793	5/8" Lock Washer
8	R-46	5/8" x 2" Hex Cap Screw
8	10793	5/8" Lock Washer
9	L-2053	Bearing Base