

6 1/2" Gauge Wheel

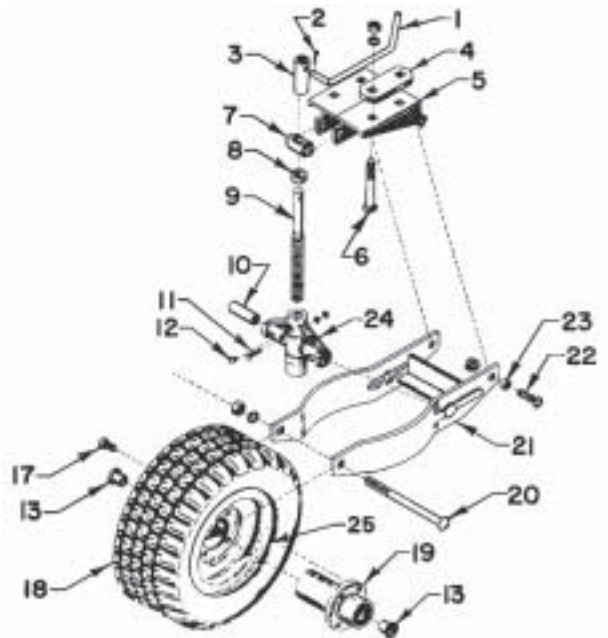
Bundle: SRB4198

(Yoke Complete, Less Wheel Assembly)

Bundle: SRB4098

(Includes Tire, Yoke & Wheel Complete)

NOTE: This Gauge Wheel is not offered on new tillers. Parts are available from Northwest Tiller.



<u>Item</u>	<u>Part#</u>	<u>No.</u>	<u>Description</u>
1	G-115	1	Crank
2	20016	1	3/16" x 1" Cotter Pin
3	G-124	1	Cap for G-111
4	RB-620	2	Strap
5	RB-21688	1	Clamp Bracket
6	10747	4	5/8" N.C. x 4" Carriage Bolt
6	10783	4	5/8" Nut
6	10793	4	5/8" Lock Washer
7	G-103	1	Pivot Pin (Welded into RB-21688)
8	G-125	1	Screw Stop
9	G-111	1	Adjustment Screw
10	RB-47	2	Pivot Pin
11	10525	2	1/4" N.C. x 1 3/4" Cap Screw
11	10777	2	1/4" Nut
11	10787	2	1/4" Lock Washer
12	RBP-1040	1	45° Zirk Fitting - Alemite 1652
13	G-119	2	Bearing Bushing
17	RBP-1006	4	1/2" N.F. x 1 1/2" Stud Bolt
18	RBP-988	1	16" x 6.50" x 8" Tire
19	SG2116	1	Hub - Complete (See Page H3)
20	4	1	5/8" N.C. x 8" Carriage Bolt
20	10783	1	5/8" Nut
20	10793	1	5/8" Lock Washer
21	G-2105PS	1	Yoke Assembly
22	10587	2	1/2" N.C. x 1 1/2" Cap Screw
22	20042	2	1/2" Grip Nut
23	G-117	2	Bushing - Yoke to Bracket
24	RB-48PS	1	Cross
25	RBP-986PS	1	Rim, Wheel

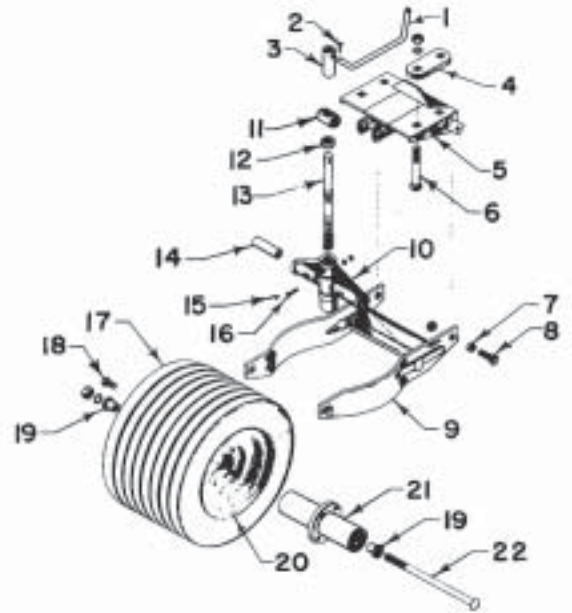
9 1/2" Gauge Wheel

Bundle: SRB4199

(Yoke Complete, Less Wheel Assembly)

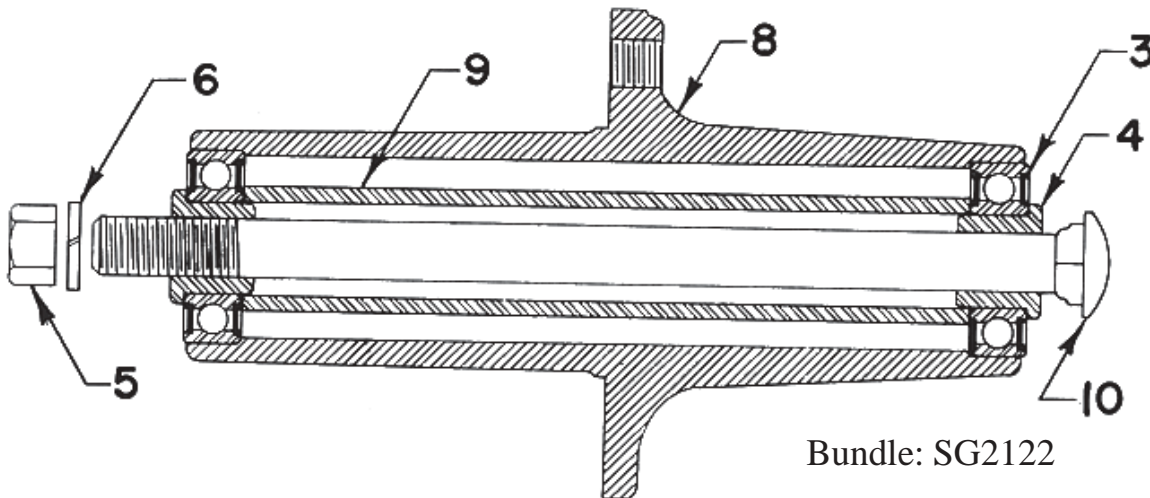
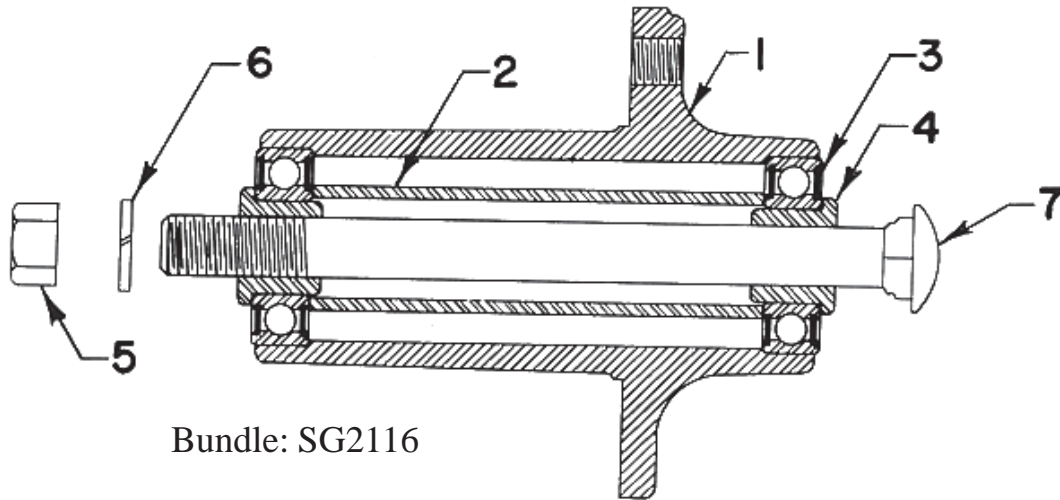
Bundle: SRB4099

(Includes Tire, Yoke & Wheel Complete)



<u>Item</u>	<u>Part#</u>	<u>No.</u>	<u>Description</u>
1	G-115	1	Crank
2	20016	1	3/16" x 1" Cotter Pin
3	G-124	1	Cap for G-111
4	RB-620	2	Strap
5	RB-21690	1	Bracket Assembly
6	10747	4	5/8" N.C. x 4" Carriage Bolt
6	10783	4	5/8" Nut
6	10793	4	5/8" Lock Washer
7	G-117	2	Bushing
8	10587	2	1/2" N.C. x 1 1/2" Cap Screw
8	20042	2	Grip Nut
9	G-2106PS	1	Yoke Assembly
10	RB-33PS	1	Pivot
11	G-103	1	Pivot Pin (Welded into RB-21690)
12	G-125	1	Screw Stop
13	G-111	1	Adjustment Screw
14	RB-176	1	Pin
15	RBP-1040	1	45° Zirk Fitting - Alemite 1652
16	10525	2	1/4" N.C. x 1 3/4" Cap Screw
16	10777	2	1/4" Nut
16	10787	2	1/4" Lock Washer
17	RBP-987	1	18" x 9.50" x 8" Tire
18	RBP-1006	4	1/2" N.F. x 1 1/2" Stud Bolt
19	G-119	2	Bearing Bushing
20	RBP-985PS	1	Rim, Wheel
21	SG-2122	1	Hub Assembly - Complete (See Page H3)
22	RBP-992	1	5/8" N.C. x 11" Carriage Bolt
22	10783	1	5/8" Nut
22	10793	1	5/8" Lock Washer
	RBP-999	1	Tube - 18" x 9.50" x 8" (Not Shown)

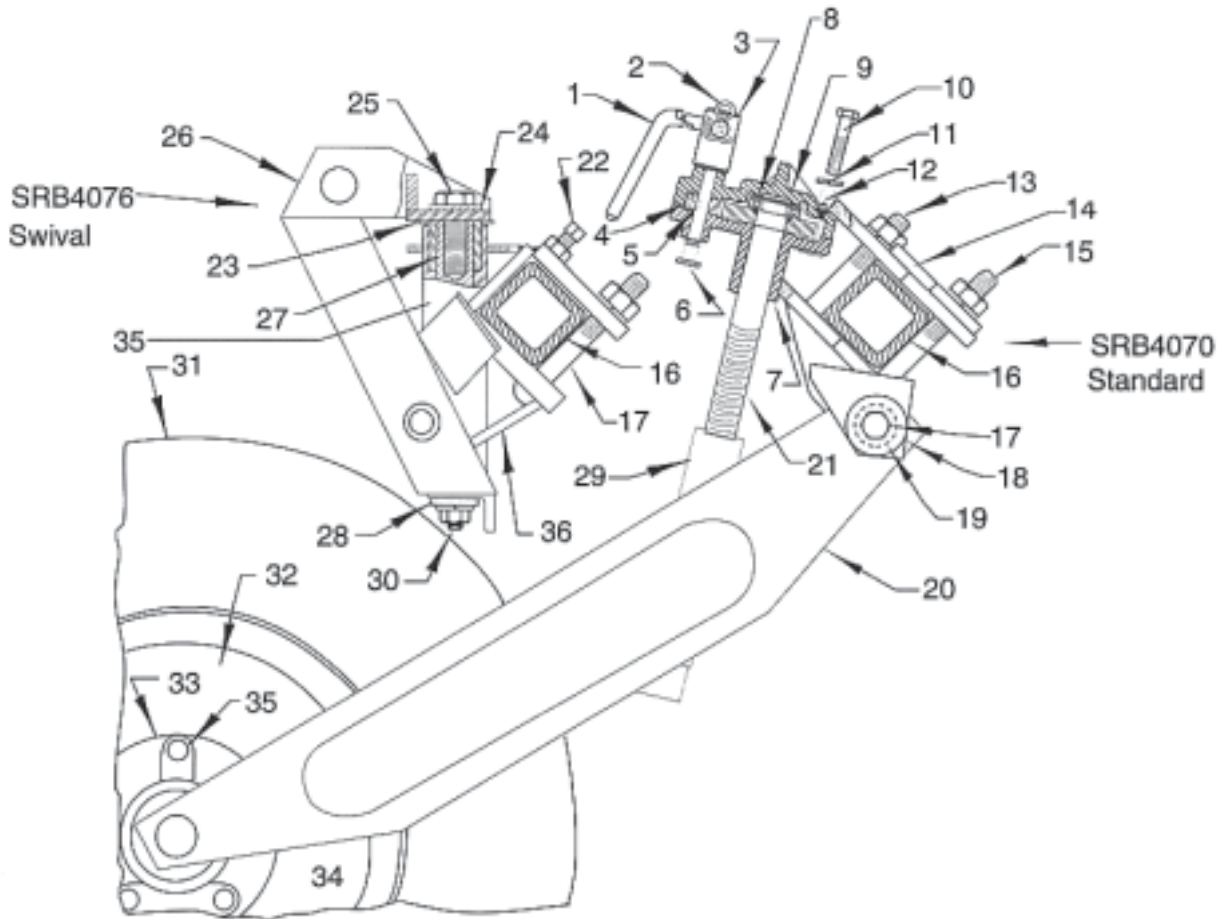
**6 1/2" Gauge Wheel (SRB4098) and
9 1/2" Gauge Wheel (SRB4099) Hubs**



Item	Part #	Description
1	G-116PS	Hub for SRB4098 Gauge Wheel (6 1/2")
2	G-118	6 1/2" Gauge Wheel Bearing Spacer
3	GP-104	Bearing - Fafnir 205PP
4	G-119	Bearing Bushing
5	10783	5/8" N.C. Hex Head Nut
6	10793	5/8" Lock Washer
7	4	5/8" x 8" Carriage Bolt
8	G-122PS	Hub for SRB4099 Gauge Wheel (9 1/2")
9	G-123	9 1/2" Gauge Wheel Bearing Spacer
10	RBP-992	5/8" x 11" Carriage Bolt

NOTE: The 6 1/2" Gauge Wheel is not offered on new tillers. Parts are available.

23" Gauge Wheel



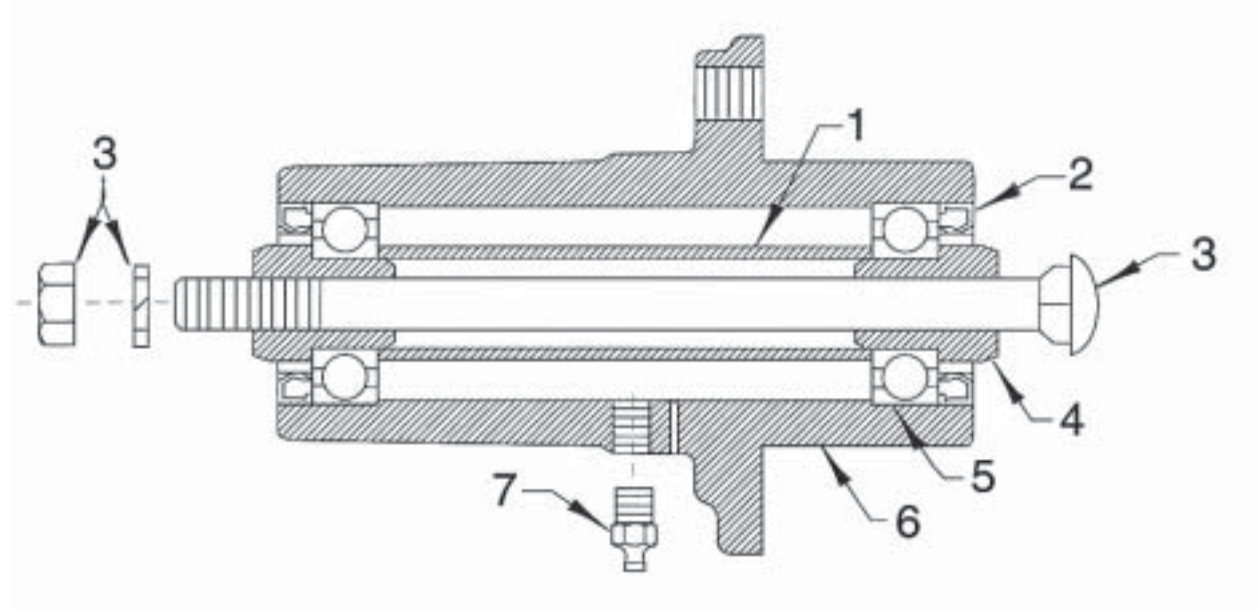
23" Gauge Wheel

Parts List for SRB4070 & SRB4076

<u>Item</u>	<u>Part#</u>	<u>Description</u>	<u>Item</u>	<u>Part#</u>	<u>Description</u>
1	G-115	Crank	24	10804	5/8" Flat Washer
2	95	3/16" x 3/4" Cotter Key	25	10608	5/8" x 1 1/2" Cap Screw
3	RB-1216	Stub Shaft	26	RB-21762	Outer Frame Swival
4	RB-1215PS	Spur Gear	27	RB-1763	Bushing
5	RP-1126	1/8" x 1/2" Woodruff Key	28	RB-21765	Pin Assembly
6	RBP-1120	Snap Ring for Stub Shaft	29	RB-21217	Pivot Screw
7	RB-89PS	Lower Bearing Housing	30	10727	1/2" x 1 1/4" Carriage Bolt
8	RBP-1007	Thrust Bearing - Nice #607	30	10781	1/2" Nut
9	RB-88PS	Upper Bearing Housing	30	10791	1/2" Lock Washer
10	241	3/8" x 1 1/2" Cap Screw	31	RBP-1009	23" OD x 8.5W - 12(Hole in middle) 4 Ply Tire
11	24	3/8" Lock Washer	32	RBP-1008PS	Rim, Wheel
12	RBP-1039	Zirk Fitting - Alemite #1650	33	SD4145	Hub Assembly (See Page H6)
13	10617	5/8" x 3 3/4" Carriage Bolt	34	RBP-997	5/8" x 9 1/2" Carriage Bolt
13	10783	5/8" Nut	34	10783	5/8" Nut
13	10793	5/8" Lock Washer	34	10793	5/8" Lock Washer
14	RB-21206	Sq. Bar Clamp (for SRB4070)	35	RB-21755	Inner Frame Swival
15	10747	5/8" x 4" Carriage Bolt	Bundle:		
15	10783	5/8" Nut	SRB4103	Gear & Screw Assembly	
15	10793	5/8" Lock Washer	SRB31762	Top Swival Assembly (for SRB4076)	
16	RB-638	Rear Square Bar (length)			
17	10608	5/8" x 1 1/2" Cap Screw (for SRB4070)			
17	10607	5/8" x 1 1/4" Cap Screw (for SRB4076)			
17	R-49A	5/8" NC Jam Grip Nut			
18	10804	5/8" Flat Washer			
19	RB-1219	Bushing (for SRB4070)			
20	RB-21210	Yoke			
21	RB-21201	Screw & Gear			
22	258	5/8" x 2" Sq. Head Set Screw			
22	94	5/8" Jam Nut			
23	RBP-1121	1" SAE Flat Washer			

23" Gauge Wheel Hubs

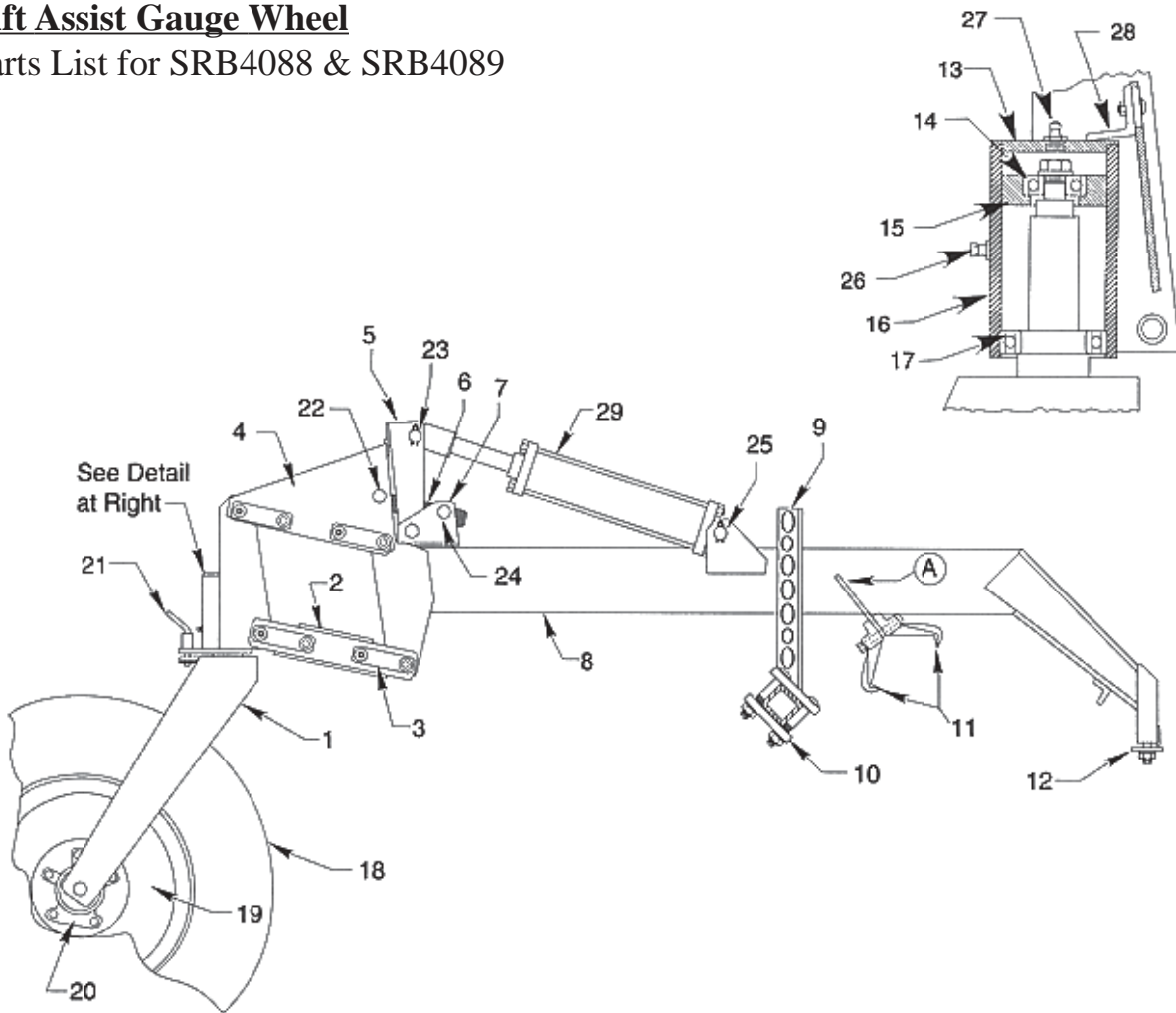
Bundle No. SD4145



<u>Item</u>	<u>Part</u>	<u>No.</u>	<u>Description</u>
1	D-146	1	Sleeve
2	D-148	2	Seal - National # 471407
3	RBP-997	1	5/8" N.C. x 9 1/2" Carriage Bolt
3	10783	1	5/8" Nut
3	10793	1	5/8" Lock Washer
4	D-147	2	Spacer
5	D-149	2	Bearing - Fafnir # 305W
6	D-145PS	1	Hub
7	RBP-1039	1	1/8" Zirk Fitting - Alemite #1650

Lift Assist Gauge Wheel

Parts List for SRB4088 & SRB4089

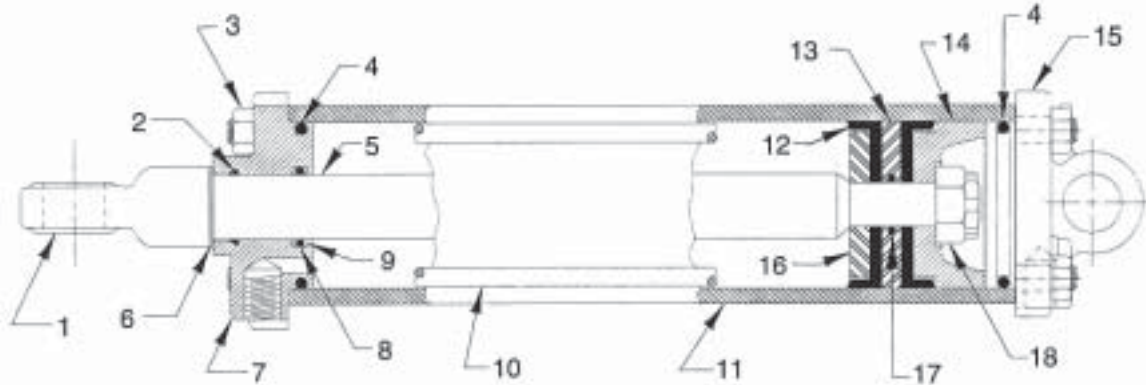


Item	Part#	Description
1	RB-2391	Yoke
2	RB-21708	Frame Side
3	RB-2370	Connecting Pin (4)
4	RB-21721	Top Link
5	RB-21703	Link
6	RB-446	Adjusting Screw
7	RB-2358	Pivot
8	RB-2356	Housing
9	RB-2383	Hanger Bracket - LH & RH
10	RB-620	Square Bar Strap
11	RB-155	Clamp (2)*
12	RB-755	Clamp
13	RB-341	Cap
14	GP-104	Bearing - Fafnir #205 NPP
15	RB-339	Bearing Seat
16	RB-2355	Yoke Pivot

Item	Part#	Description
17	RBP-943	Bearing - Fafnir #9110 NPP
18	RBP-1009	23" x 8.50 - 12 4 Ply Tire
19	RBP-1008	Wheel
20	SD4145	Hub Assembly (See H6)
21	RB-1327	Pin (One Per Set)
22	RB-360	Front Adjusting Nut
23	RB-1719	Link Pin
24	RB-398	Rear Adjusting Nut
25	RB-1720	Anchor Pin
26	RB-938	Breather
27	RBP-1039	1/8" Zirk Fitting
28	RB-403	Retainer Clip
29	SRB4524	Hydraulic Cylinder (See H8)

* To use on **older** models, Ear A on frame must be drilled out to 25/32" Diameter.

3" Hydraulic Cylinder (2-way) - Tie Rod Type (1974 & later)

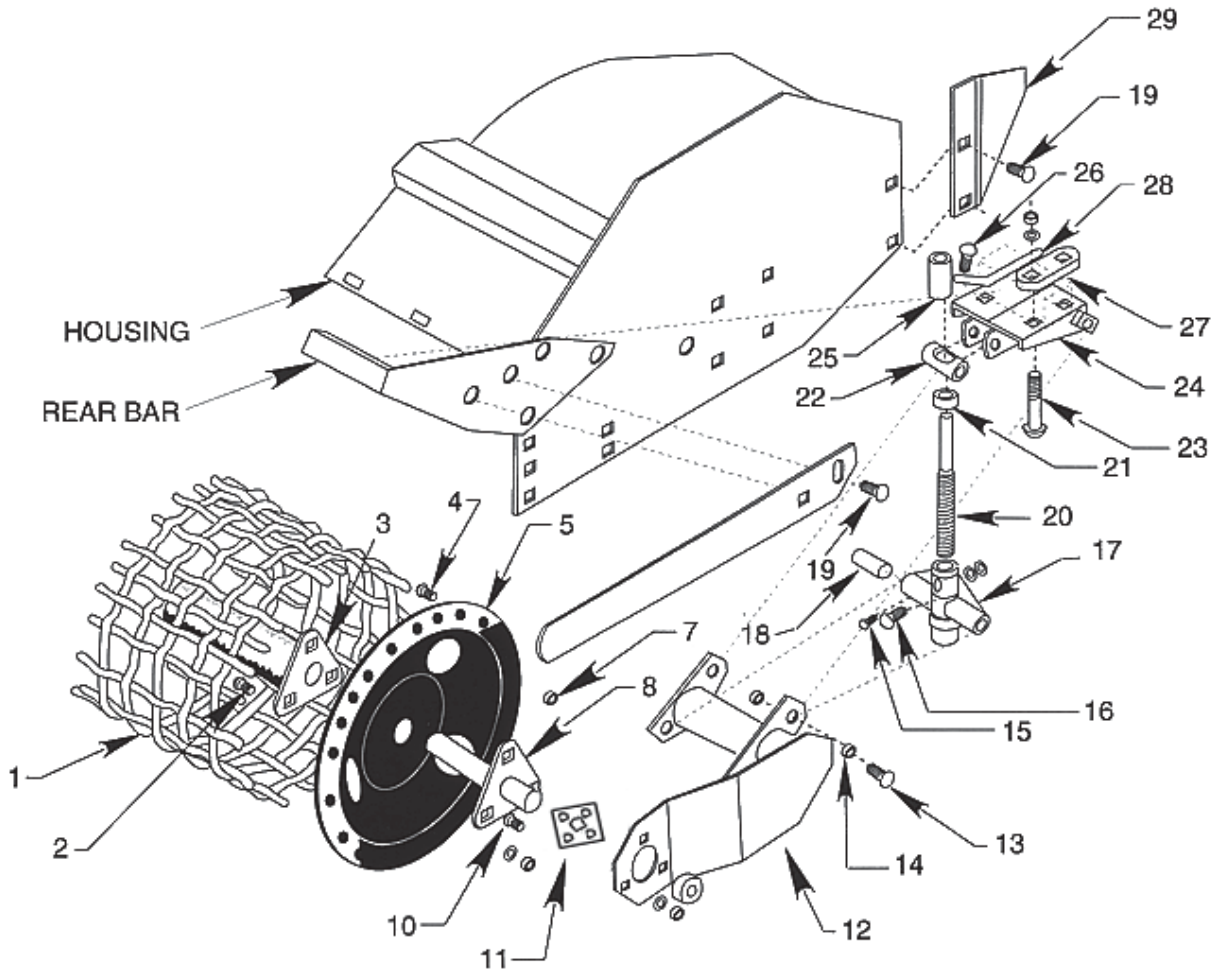


Bundle: SRB-4524

<u>Item</u>	<u>Part#</u>	<u>Description</u>
1	RB-73	Head, Piston Rod
2	RBP-1027	Wiper Ring - John Crane Co. #F9002W-13
3		7/16 - 20 N.F. Hex Nut
4	RBP-1047	#622737 National "O" Ring
5	RB-1496	Piston Rod
6		1" Internal Lock Washer
7	RB-71	Cylinder Head
8	RBP-1025	#6246-23 National "O" Ring
9	RBP-1026	#6246-23 Parker Leather Back-Up Washer (2) (1 Each Side of "O" Ring)
10	RB-1498	Tie Rod
11	RB-1495	Cylinder Tube
12	RBP-996	Leather Cup (2) - John Crane Co. #821-P
13	RB-1272	Back-Up Plate
14	RB-480	Piston Head
15	RB-72	Cylinder Base
16	RB-1497	Head Plate
17	RBP-1023	#622715 National "O" Ring
18	20015	3/4" N.F. Castle Nut with 1/8" Cotter Pin

Mesh Roller Assembly

Bundle: SRB4715-4', RB4716-5', SRB4717-6', SRB4718-7', SRB4719-8', SRB4720-9'



Mesh Roller Assembly

<u>Item</u>	<u>Part#</u>	<u>Description</u>
1	RB-11015PS (5')	Mesh (Specify Length of Screen)
2	10727	1/2" x 1 1/4" Carriage Bolt
2	10781	1/2" Nut
2	25	1/2" Star Washer
3	SRB21709 (4')	Axle (Specify Size of Roller) Complete w/Screen, etc.
4	RB-672	Ferrule
5	RB-1723	End Plate
6	RB-986	Shield (Vineyard Tiller)
7	RB-671	Ferrule
8	RB-21686	Stub Axle Assembly
10	10692	3/8" x 1" Carriage Bolt
10	10779	3/8" Nut
10	24	3/8" Lock Washer
11	870	4 Bolt Flange Bearing
12	RB-2452	Carrier Bracket - L.H.
12	RB-2453	Carrier Bracket - R.H.
13	10728	1/2" x 1 1/2" Carriage Bolt
13	10781	1/2" Nut
13	10791	1/2" Lock Washer
14	G-117	Bushing
15	RBP-1040	45° Zirk Fitting - Alemite #1652
16	10525	1/4" x 1 3/4" Cap Screw
16	10777	1/4" Nut
16	10787	1/4" Lock Washer
17	RB-48PS	Cross
18	RB-1880	Pivot Pin
19	10743	5/8" x 1 1/2" Carriage Bolt
19	10783	5/8" Nut
19	10793	5/8" Lock Washer
20	G-111	Adjustment Screw
21	G-125	Screw Stop
22	G-103PS	Pivot Pin (Welded into RB-21688)
23	10747	5/8" x 4" Carriage Bolt
23	10783	5/8" Nut
23	10793	5/8" Lock Washer
24	RB-21688PS	Clamp Bracket
25	G-124	Cap for G-111 Adjustment Screw
26	26016	3/16" x 1" Cotter Pin
27	RB-620	Strap
28	RB-462	Adjustment Screw Crank
29	RB-1458	Shield (Vineyard) (R.H. Shown)

Bundles:

- SRB4518..... L.H. Carrier Bracket Assembly
- SRB4519..... R.H. Carrier Bracket Assembly
- SRB4521..... L.H. & R.H. Carrier Bracket Assemblies

Narrow Mesh Roll

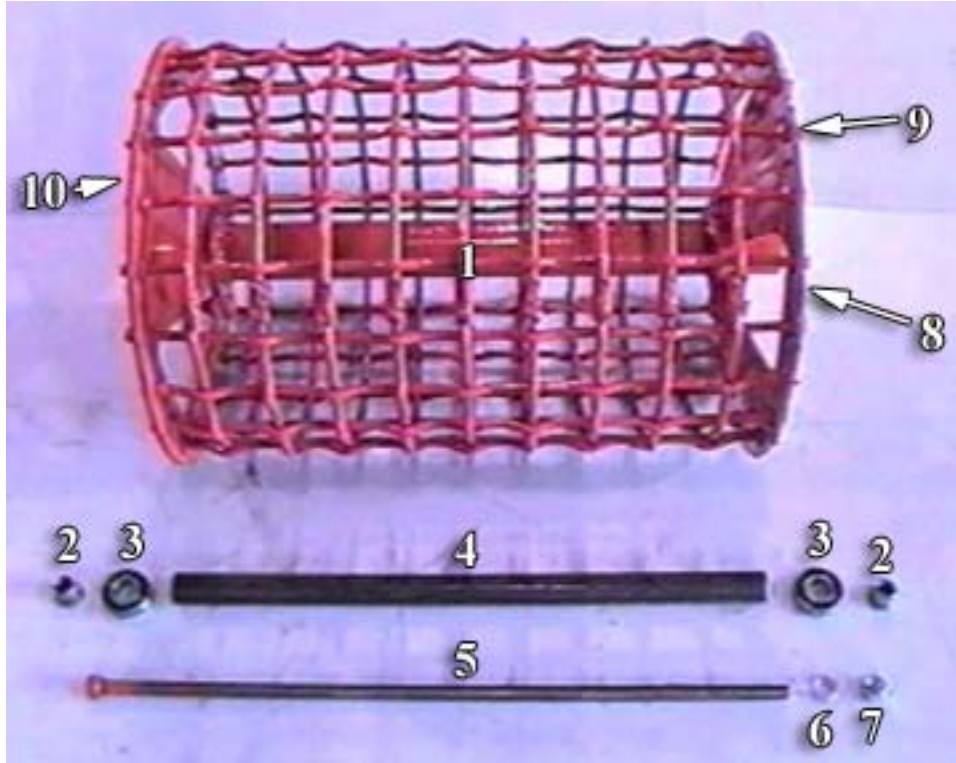
SRB-4820*



*Specify Length When Ordering

Narrow Mesh Roll

SRB-21945*

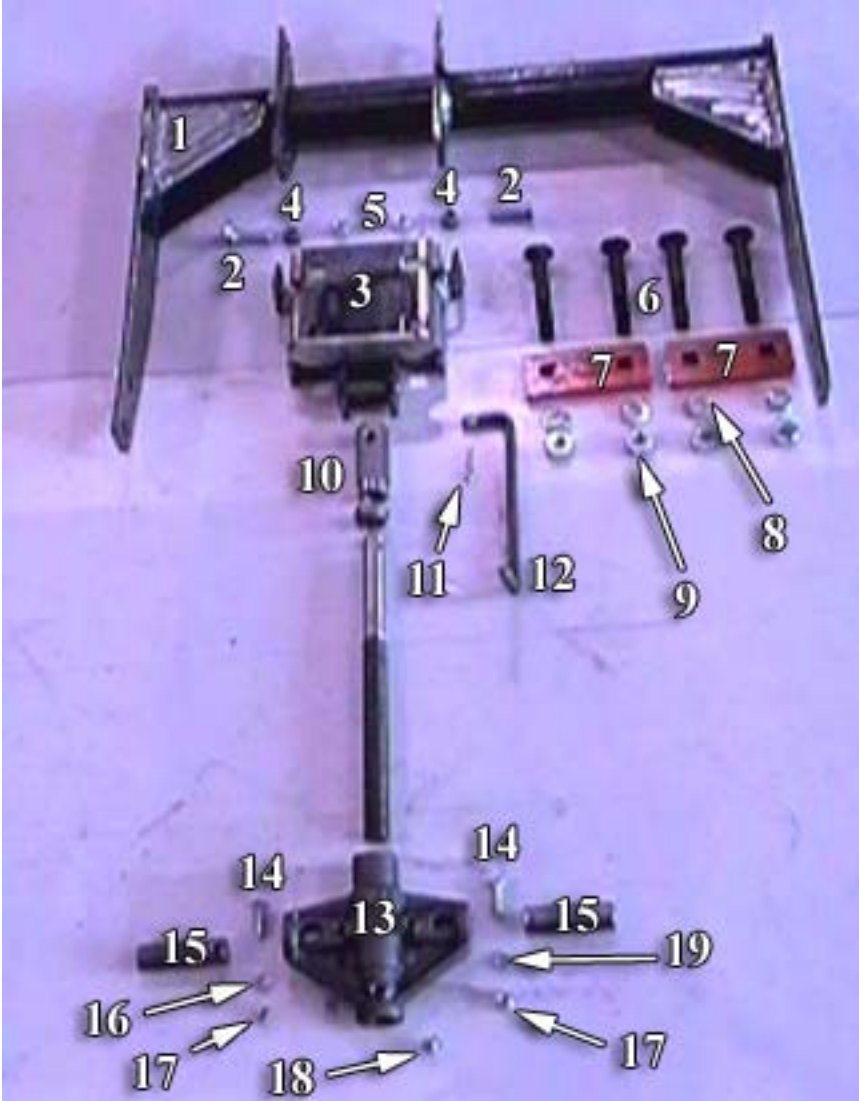


<u>Item #</u>	<u>Part #</u>	<u>No.Used</u>	<u>Description</u>
1	SRB-21945*	1	Narrow Mesh Roller
2	G-119	2	Bearing bushing - GA. wh.
3	G-104	2	Bearing 205 205PP
4	RB-1947*	1	Spacer Bearing
5	RB-1948*	1	Spindle
6	10793	1	5/8" Lock Washer
7	10783	1	5/8" NC Nut
8	RB-672	28	Ferrule
9	RB-671	14	Ferrule
10	RB1723-1	2	End Plate

* Specify Length When Ordering

Narrow Mesh Roll

SRB2447*



*Specify Length When Ordering

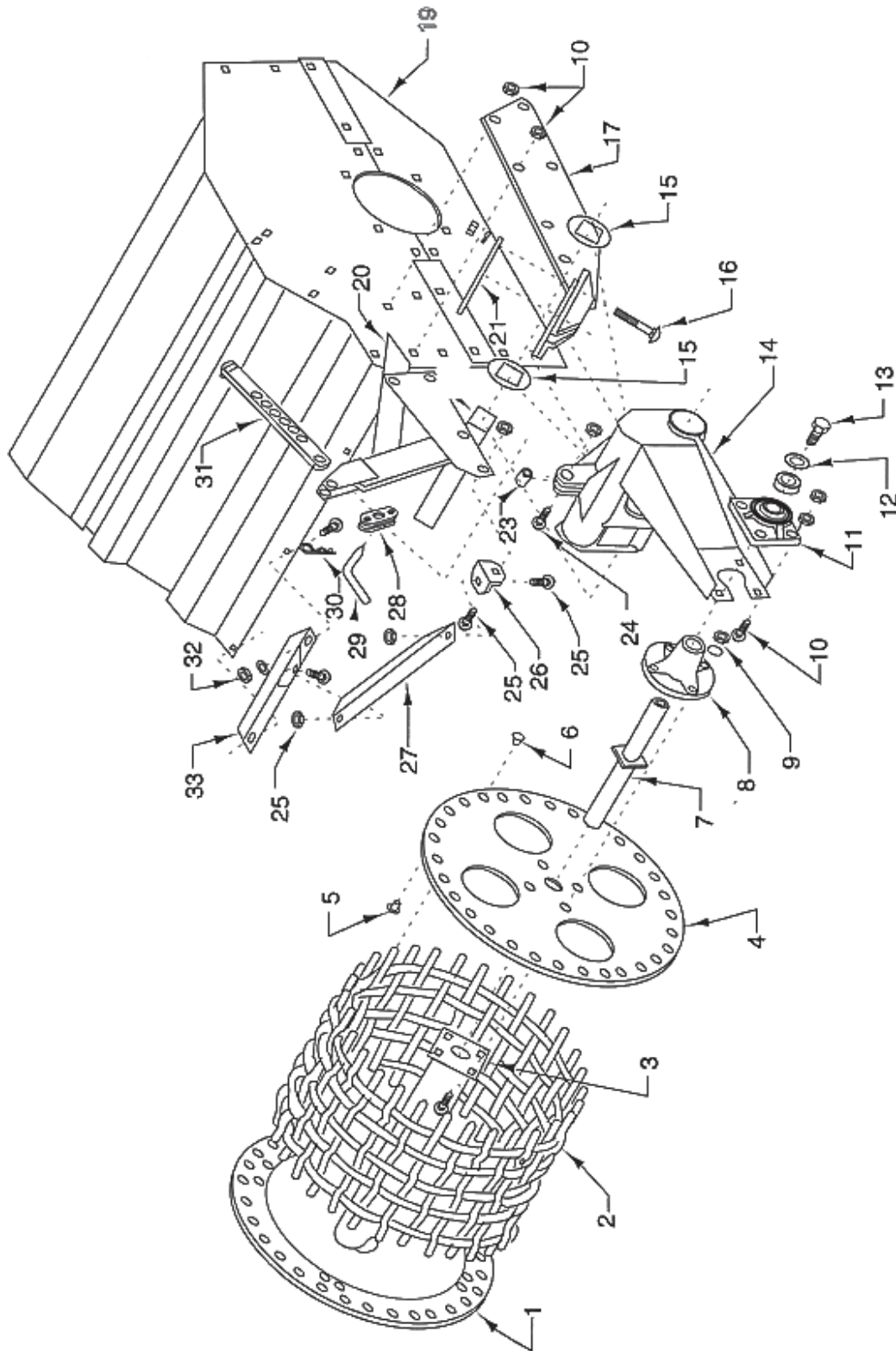
Narrow Mesh Roll

SRB2447*

<u>Item #</u>	<u>Part #</u>	<u>No.Used</u>	<u>Description</u>
1	RB2447*	1	Yoke
2	10726	2	1/2" x 1 1/2" Carriage Bolt
3	RB-21688	1	Clamp Bracket
4	G-117	2	Bushing
5	20042	2	1/2" Grip Nut
6	10747	4	5/8" x 4" Carriage Bolt
7	RB-620	2	Strap
8	10793	4	5/8" Lock Washer
9	10783	4	5/8" Nuts
10	G-124	1	Cap for G-111 Adj Screw
11	26016	1	3/16" x 1" Cotter Pin
12	G-115	1	Adjusment Screw Crank
13	RB-48PS	1	Cross
14	10525	2	1/4" x 1 3/4" Cap Screw
15	RB-1880	2	Pivot Pin
16	10787	2	1/4" Lock Washer
17	10781	2	1/4" Nut
18	RBP-1040	1	45° Zirk Fitting
19	G-125	1	Screw Stop

* Specify Length When Ordering

"L" Mesh Roller & Mesh Roller Carrier Bracket



"L" Mesh Roller & Mesh Roller Carrier Bracket

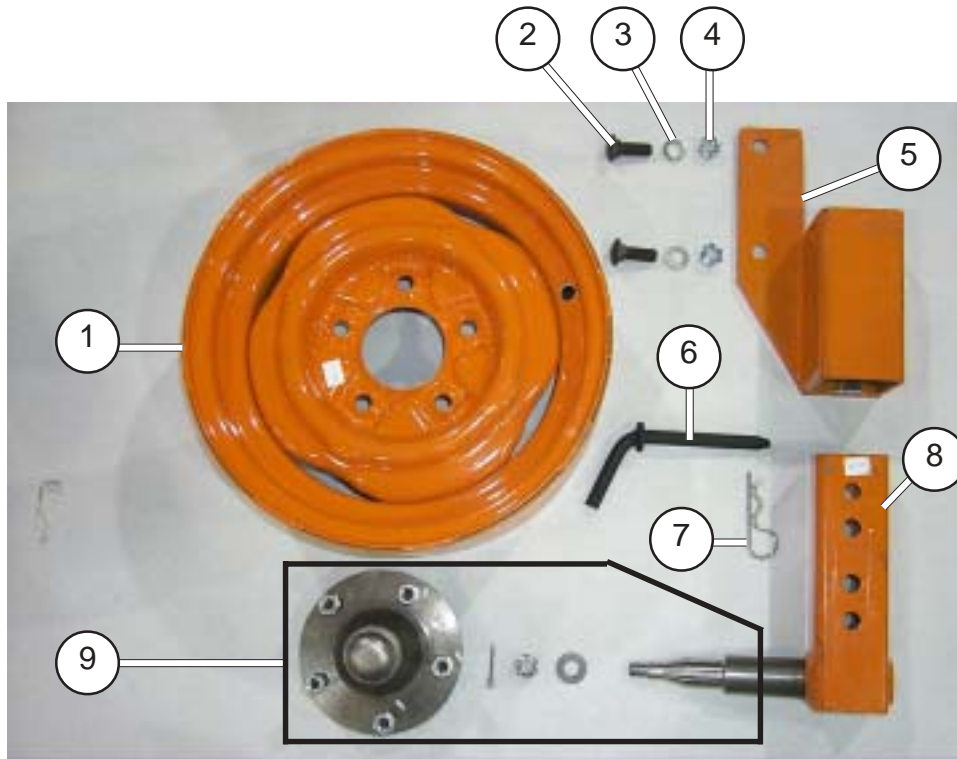
<u>Item</u>	<u>Part#</u>	<u>No.</u>	<u>Description</u>	<u>Item</u>	<u>Part#</u>	<u>Description</u>
1	L-653	-	Off Center Plate	16	10756	8 3/4" x 5" Carriage Bolt
2	L-664	2	Mesh Roller Screen 8'	16	10784	8 3/4" Nut
2	L-655A	3	Mesh Roller Screen 10'	16	10794	8 3/4" Lock Washer
2	L-652B	4	Mesh Roller Screen 12'	17	L-2047	2 Rear Bar Bracket
2	L-650	4	Mesh Roller Screen 14'	18	10744	8 5/8" x 2" Carriage Bolt
2	L-651	5	Mesh Roller Screen 16'	18	10783	8 5/8" Nut
2	L-649	6	Mesh Roller Screen 18' (2-9')	18	10793	8 5/8" Lock Washer
3	L-21072	1	Frame Assembly 8'	19		Main Frame
3	L-21068	1	Frame Assembly 10'	20	L-21526	1ea Anchor Post Assembly (RH & LH)
3	L-21070	1	Frame Assembly 12'	21	L-117	2 Square Bar Strap
3	L-2624	1	Frame Assembly 14'	23	L-1548	2 Bushing
3	L-21510	1	Frame Assembly 16'	24	10630	2 3/4" x 1 3/4" Cap Screw
3	L-21625	2	Frame Assembly 18' (2-9')	24	20030	2 3/4" Grip Nut
4	L-657	2	End Plate	25	10743	6 5/8" x 1 1/2" Carriage Bolt
5	L-694	-	Ferrule (52 per screen)	25	10783	6 5/8" Nut
6	L-699	-	Ferrule - welded (8 per screen)	25	10793	6 5/8" Lock Washer
7	L-2187	2	Spindle Assembly	26	L-1536	2 Brace Clip
8	L-97	2	Hub	27	L-1533	2 Brace
9	85	8	5/8" x 2 1/4" Carriage Bolt	28	L-21534	2 Stop
9	19783	8	5/8" Nut	29	L-658	2 Pin
9	10793	8	5/8" Lock Washer	30	RBP-927	2 Hair Pin
10	10728	8	1/2" x 1 1/2" Carriage Bolt	31	L-21546	2 Adj. Bar Assembly
10	10781	8	1/2" Nut	32	10715	4 7/16" x 1 1/2" Carriage Bolt
10	10791	8	1/2" Lock Washer	32	10780	4 7/16" Nut
11	L-1154	2	Bearing - Fafnir TCJ 1 1/2"	32	10790	4 7/16" Lock Washer
12	RB-1088	2	Cap	33	L-2770	1ea Anchor (RH & LH)
13	10608	2	5/8" x 1 1/2" Cap Screw			
14	L-21537	1ea	Carrier Arm Assembly (RH & LH)			
15	L-1531	4	Washer			

Bundles:

SL4108	8' Mesh Roll with Attaching Brackets
SL4110	10' Mesh Roll with Attaching Brackets
SL4112	12' Mesh Roll with Attaching Brackets
SL4114	14' Mesh Roll with Attaching Brackets
SL4115	15' Mesh Roll with Attaching Brackets
SL4116	16' Mesh Roll with Attaching Brackets\
SL4200	Mesh Roll Carrier Brackets with Attachment

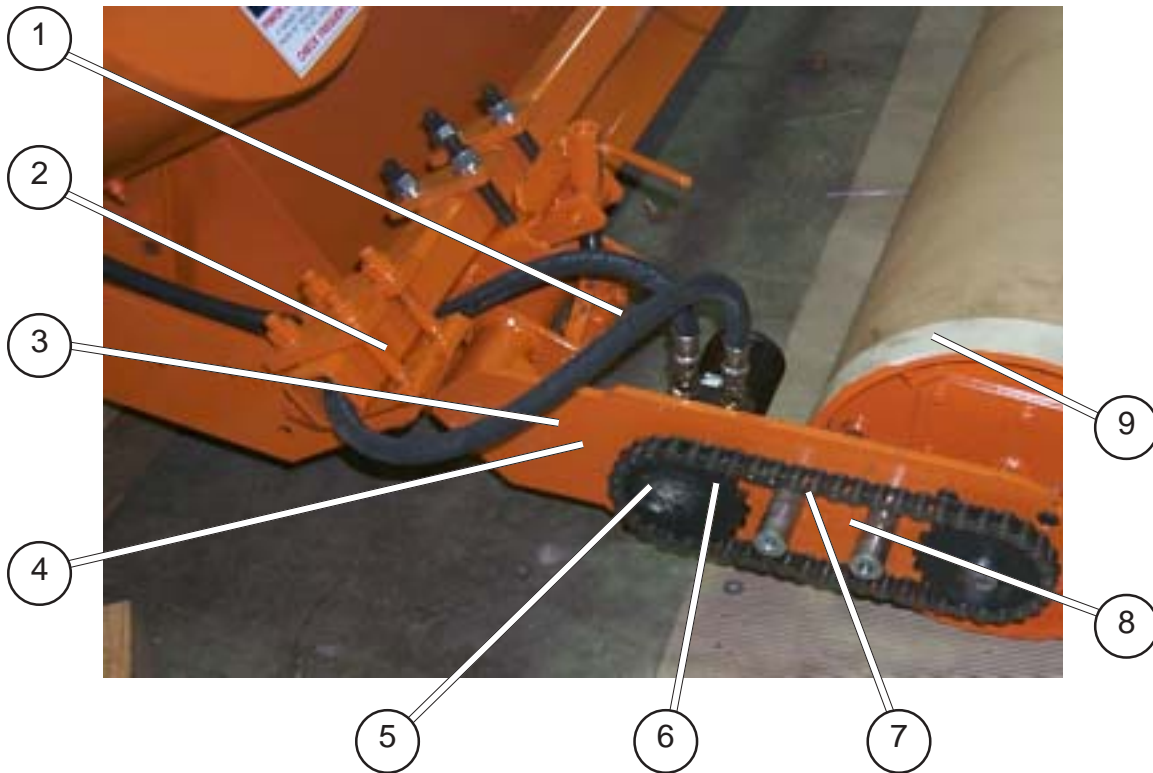
Sod Wheel

OP1



<u>Item #</u>	<u>Part #</u>	<u>No.Used</u>	<u>Description</u>
1	RB-31792PS	1	Wheel
2	22	2	5/8" x 1 3/4" Carriage Bolt
3	10793	2	5/8" LockWasher
4	10783	2	5/8" NC Nut
5	RB-31790R	1	Tube Frame, Sod Wheel LH
5	RB-31790L	1	Tube Frame, Sod Wheel RH (Not Shown)
6	L-21450PS	1	Retaining Pin
7	RBP-927	1	Hair Pin
8	RB-31791PS	1	Sod Slip Tube
9	201	1	Complete Assembly Axle and Hub

Power Roller



<u>Item #</u>	<u>Part #</u>	<u>Description</u>
1	RBP-1329-3	Hydraulic Motor
2	SRB4521B	Roller Bracket
3	190	Hub SDS X 1
4	867	Drive Sprocket, 60SD 520
5	552-2	60P NKPL
6	RB-31823-16	Stub Shaft, Guard Mount
7	869	Hub SDS x 1 ¼
8	136	Drive Link Connector, 60P
9	RB 11035-14.....	UHMW Strip