

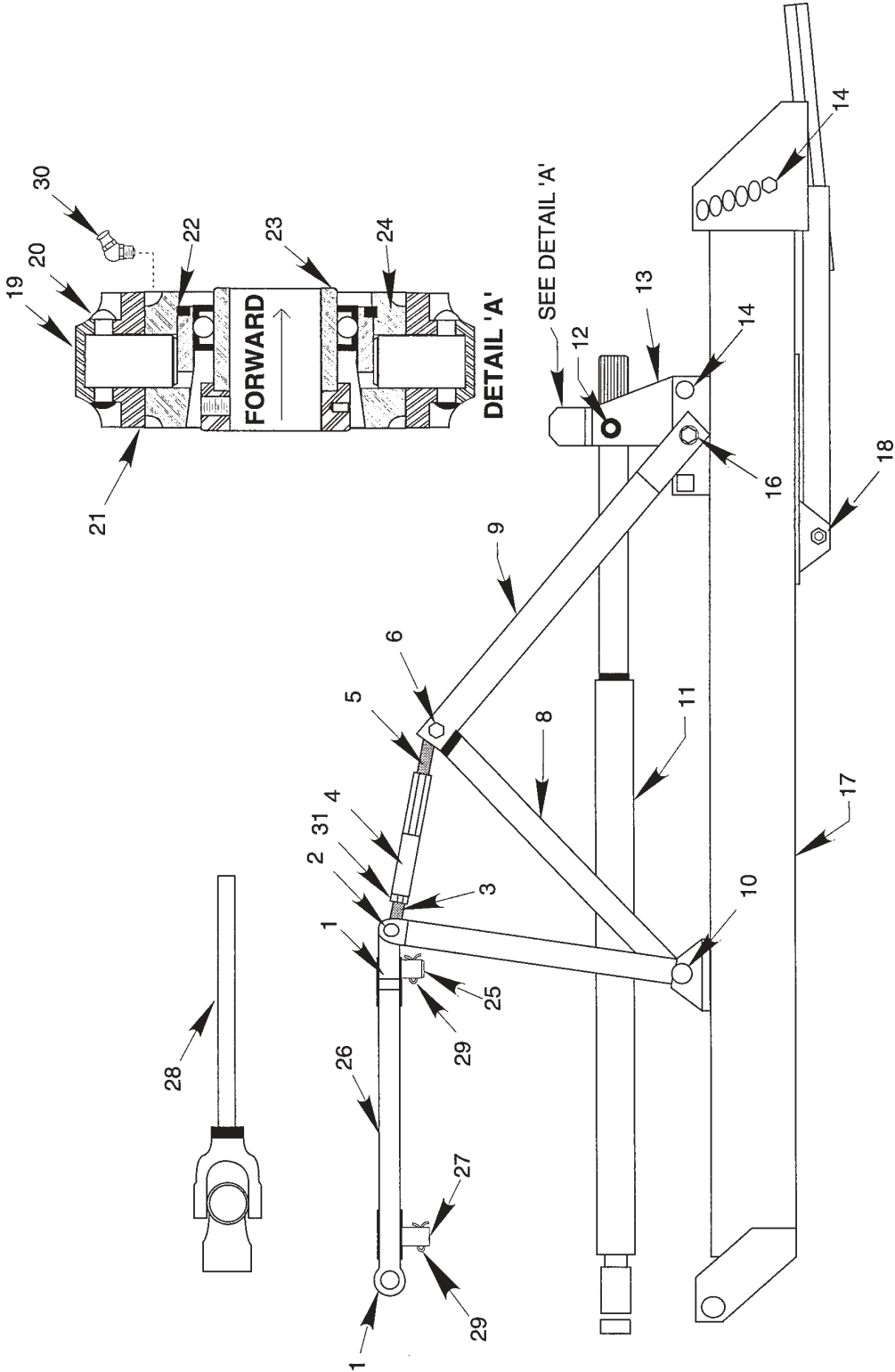
Standard Duty Drawn Hitch

Bundle No. SRB4079

| <u>Item</u> | <u>Part #</u> | <u>No.</u> | <u>Description</u> |
|-------------|---------------|------------|--|
| 1 | RB-789 | 2 | Clevis |
| 2 | RB-2650 | 1 | Pivot Pin (Long) |
| 3 | RBP-927 | 2 | Hair Pin |
| 4 | RB-2690 | 1 | Three Point Tie Rod |
| 5 | RB-2763 | 1 | Pivot Pin (Short) |
| 6 | RBP-950 | 1 | 35N Yoke Assembly & Sq. Shaft, 1 1/2–10 Spline |
| 7 | 10614 | 1 | 5/8" x 3" Cap Screw |
| 7 | R-49 | 1 | 5/8" Grip Nut |
| 8 | RB-2878 | 1 | Eye Bolt RH W/RB-793 Bushing |
| 9 | RB-2777 | 1 | Turnbuckle |
| 10 | RB-2878 | 1 | Eye Bolt LH W/RB-716 Bushing |
| 11 | 10614 | 1 | 5/8" x 3" Cap Screw |
| 11 | R-49 | 1 | 5/8" Grip Nut |
| 12 | RB-773 | 2 | Mast - 20 1/4" long |
| 13 | RB-2649 | 1 | Drive Line (10 Spline) |
| 14 | 22 | 2 | 5/8" x 1 3/4" Carriage Bolt |
| 14 | R-49 | 2 | 5/8" Grip Nut |
| 15 | RB-772 | 2 | Center Brace - 24 3/8" long |
| 16 | RB-760 | 2 | Bearing Mast - 18 1/2" long |
| 17 | 10585 | 2 | 1/2" x 1" Cap Screw |
| 17 | 10791 | 2 | 1/2" Lock Washer |
| 17 | 10802 | 2 | 1/2" Flat Washer |
| 18 | 22 | 4 | 5/8" x 1 1/4" Carriage Bolt |
| 18 | R-49 | 4 | 5/8" Grip Nut |
| 19 | RB-2762 | 1 | Frame |
| 20 | 10607 | 2 | 5/8" x 1 1/4" Cap Screw |
| 20 | R-49 | 2 | 5/8" Grip Nut |
| 21 | RB-2961 | 1 | Tongue |
| 22 | RB-682 | 1 | Bearing Seat |
| 23 | RBP-901 | 1 | 1 1/2" Bearing & Collar - Fafnir G1108KRR |
| 24 | RBP-916 | 1 | Retaining Ring - Spirolox RRT-315 |
| 25 | RB-683 | 1 | Bearing Pivot Bracket |
| 26 | RB-566 | 2 | Pivot Pin |
| 27 | RBP-1067 | 2 | 5/16" x 1 1/2" Round Head Rivet |
| 28 | RBP-912 | 1 | 1/8" x 90° Grease Fitting |
| 29 | 20027 | 1 | 7/8" NC Jam Nut |

Heavy Duty Drawn Hitch

Bundle No. SRB4081



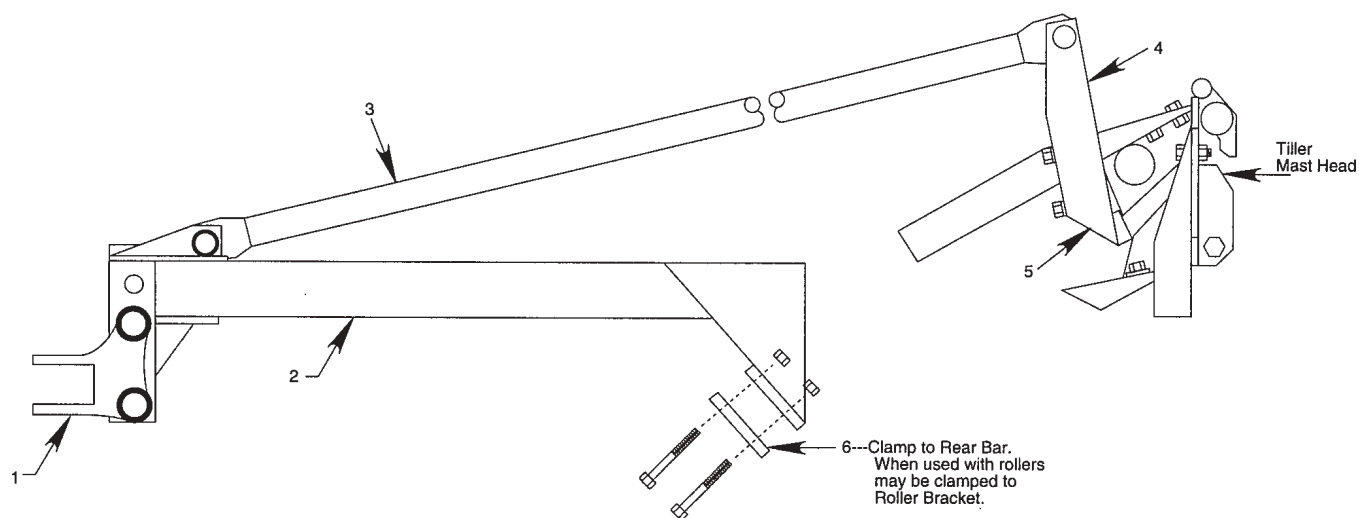
Heavy Duty Drawn Hitch

Bundle No. SRB4081

| <u>Item</u> | <u>Part #</u> | <u>No.</u> | <u>Description</u> |
|-------------|---------------|------------|--|
| 1 | RB-789 | 2 | Clevis |
| 2 | | 1 | 5/8" x 3 1/4" Cap Screw |
| 2 | R-49 | 1 | 5/8" Grip Nut |
| 3 | RB-2878 | 1 | Eye Bolt - RH w/RB-793 Bushing |
| 4 | RB-2777 | 1 | Turnbuckle |
| 5 | RB-2878 | 1 | Eye Bolt - LH w/RB-716 Bushing |
| 6 | 10614 | 1 | 5/8" x 3" Cap Screw |
| 6 | R-49 | 1 | 5/8" Grip Nut |
| 7 | RB-773 | 2 | Mast - 20 3/4" long |
| 8 | RB-1168 | 2 | Rear Brace |
| 9 | RB-79 | 1 ea. | Front Angle Brace (RH & LH) |
| 10 | 22 | 2 | 5/8" x 1 3/4" Carriage Bolt |
| 10 | R-49 | 2 | 5/8" Grip Nut |
| 11 | RB-21166 | 1 | Drive Line |
| 12 | 10585 | 2 | 1/2" x 1" Cap Screw |
| 12 | 10802 | 2 | 1/2" Flat Washer |
| 13 | RB-1007 | 2 | Drive Line Support |
| 14 | 10743 | 4 | 5/8" x 1 1/2" Carriage Bolt |
| 14 | R-49 | 4 | 5/8" Grip Nut |
| 15 | RB-2860 | 1 | Tongue |
| 16 | 10743 | 2 | 5/8" x 1 1/2" Carriage Bolt |
| 16 | R-49 | 2 | 5/8" Grip Nut |
| 17 | RB-21003 | 1 | Frame |
| 18 | 10608 | 2 | 5/8" x 1 1/2" Cap Screw |
| 18 | R-49 | 2 | 5/8" Grip Nut |
| 19 | RB-566PS | 2 | Bearing Pivot Pin |
| 20 | RBP-1067 | 2 | 5/16" x 1 1/2" Round Head Rivet |
| 21 | RB-683 | 1 | Bearing Pivot Casting |
| 22 | RBP-994 | 1 | Retaining Ring - Spirolox RRT-334 |
| 23 | RBP-921 | 1 | Bearing & Collar - Fafnir G1112KRR |
| 24 | RB-778 | 1 | Bearing Seat |
| 25 | RB-2763 | 1 | Three Point Tie Rod Pivot Pin (Short) |
| 26 | RB-2690 | 1 | Three Point Tie Rod |
| 27 | RB-2650 | 1 | Three Point Tie Rod Pivot Pin (Long) |
| 28 | RBP-948 | 1 | 55N Yoke Assembly & Shaft - 1 3/4" - 10 Spline |
| 29 | RBP-927 | 2 | Hair Pin |
| 30 | RBP-912 | 1 | 1/8" x 90° Grease fitting |
| 31 | 20027 | 1 | 7/8" NC Jam Nut |

Parts List & View for Installing Trailer Hitch

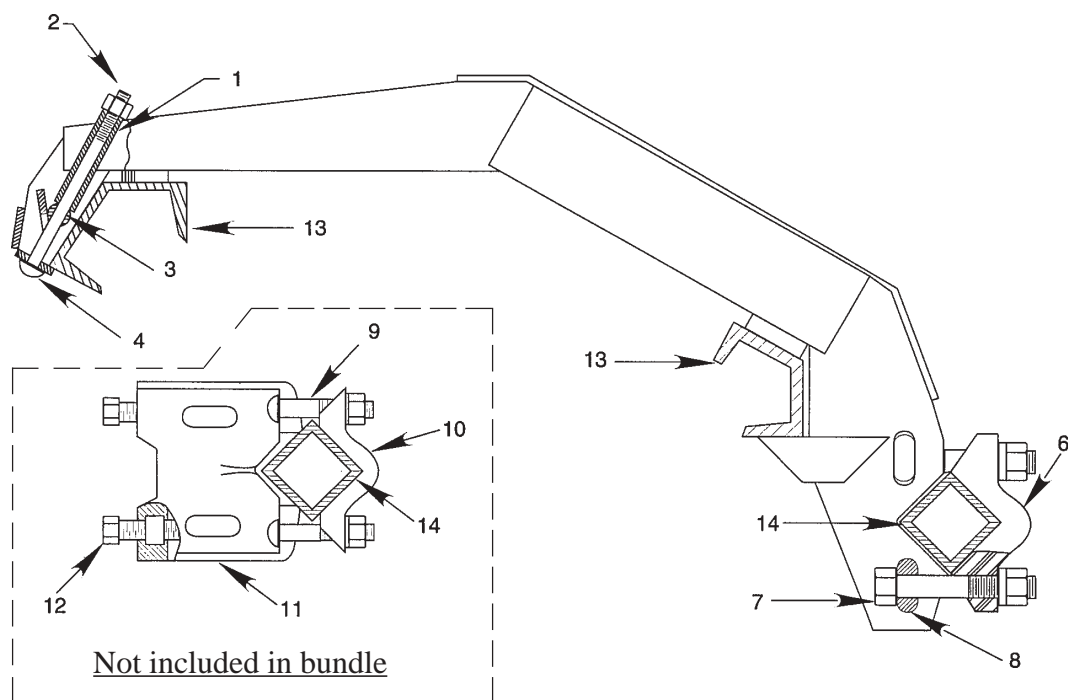
Bundle No SRB4130



| <u>Item #</u> | <u>Part #</u> | <u>Description</u> |
|---------------|----------------|---------------------|
| 1 | U-110PS | Clevis |
| 2 | RB-21091 | Trailer Hitch Frame |
| 3 | RB-1839 | Brace |
| 4 | RB-21835 | Anchor Bracket |
| 5 | RB-1841 | "U" Bolt |
| 6 | RB-620 | Clamp |

Chisel Bar Support Assembly

Bundle No. SRB4255



| <u>Item</u> | <u>Part #</u> | <u>Description</u> |
|-------------|----------------|----------------------------------|
| 1 | RB-1667 | Spacer |
| 2 | 10781 | 1/2" Hex Nut |
| 2 | 10781 | 1/2" Hex Nut |
| 3 | RB-1666 | Wedge |
| 4 | RB-1669 | Washer |
| 5 | RB-21662 | Chisel Bar Support |
| 6 | RB-38PS | Front Square Bar Clamp |
| 7 | 10639 | 3/4" x 4" Cap Screw |
| 7 | 10794 | 3/4" Lock Washer |
| 7 | 10784 | 3/4" Hex Nut |
| 8 | RB1661 | Clip |
| 9 | 10746 | 5/8" x 3" Carriage Bolt |
| 9 | 10793 | 5/8" Lock Washer |
| 9 | 10783 | 5/8" Hex Nut |
| 10 | R-43 | Front Square Bar Clamp |
| 11 | RB-21969 | Chisel Shank Clamp |
| 12 | | 5/8" x 2" Square Head Set Screw |
| 12 | | 5/8" Square Nut |
| 13 | | Frame Channels |
| 14 | RB-638 | Front Square Bar (Specify Width) |