

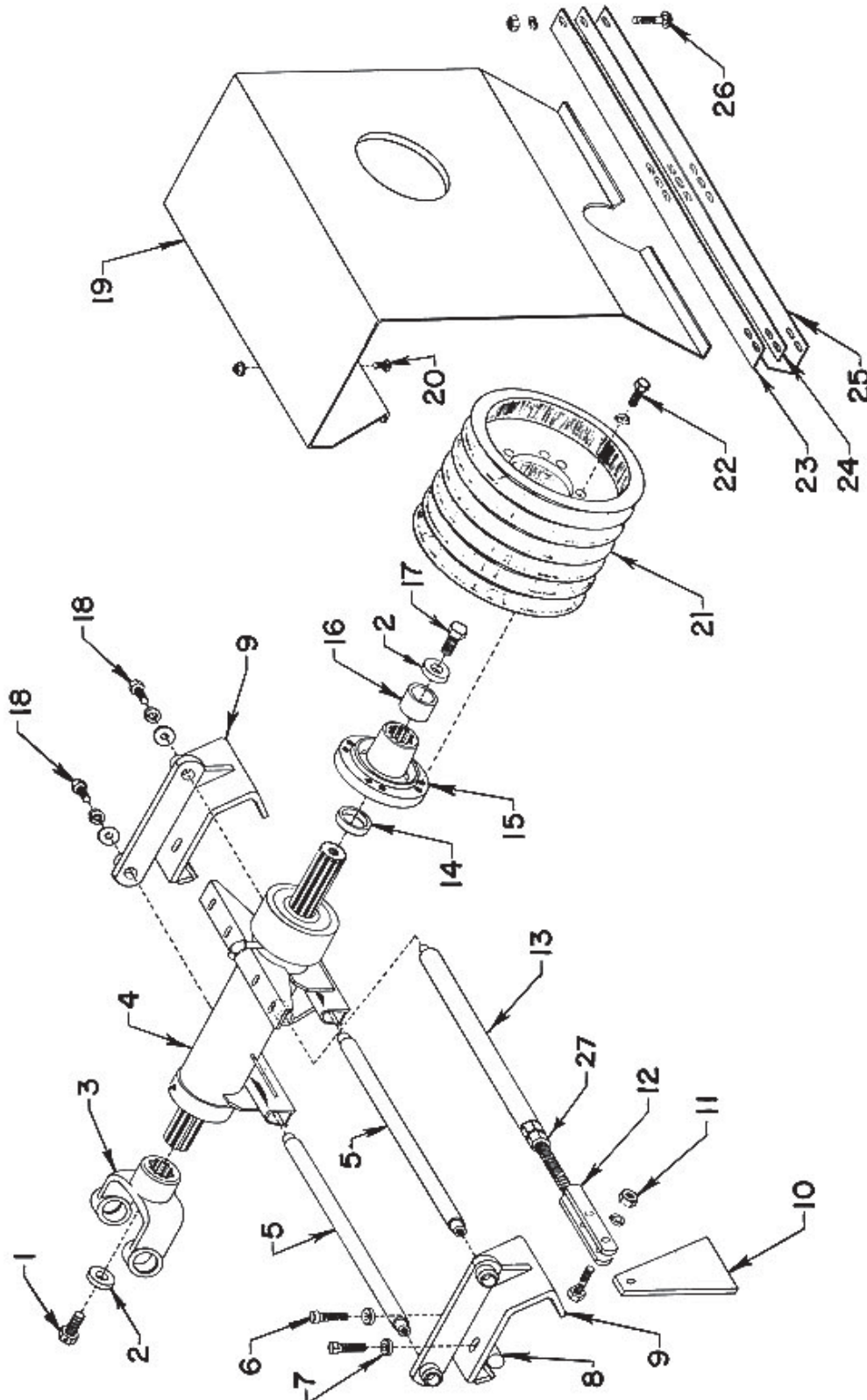
Section “C”: Center Drive Assembly

Heavy Duty Center Drive Assembly.....	C1-C2
Heavy Duty Drive Shaft Assembly.....	C3
“D” Dual Drive Shaft Assembly.....	C4
Standard Duty Drive Housing Assembly.....	C5
Standard Duty & Vineyard Tiller Center Drive Assembly	C6-C7
Model “L” Drive Shaft Assembly.....	C8
Model “D” Dual Drive Assembly (Prior to 1991)	C9-C12
Model “D” Dual Drive Assembly (1991 and Later).....	C13-C14
Dual Drive Left Belt Tension Arm.....	C15-C19
Six Belt Dual Drive.....	C20-C21



Call or E-mail Northwest Tillers today
800.204.3122 • www.nwtiller.com

Heavy Duty Center Drive Assembly



Heavy Duty Center Drive Assembly

<u>Item</u>	<u>Part #</u>	<u>No.</u>	<u>Description</u>	<u>Item</u>	<u>Part #</u>	<u>No.</u>	<u>Description</u>
1	L-805	1	Bolt - "U" Joint to Drive Shaft	18	10802	4	1/2" Flat Washer
2	RB-1088	2	Cap	19	RB-1882	1	Sheave Guard
3	(See Pg.A3)	1	Universal Shaft Assembly	20	10691	4	3/8" NC x 3/4" Carriage Bolt
4	SRB4615	1	Drive Housing Assembly	20	74	4	3/8" Flange Lock Nut w/Washer
5	RB-159	2	Spindle	21	RB-2610	1	6 Groove Sheave - 10" Dia.
6	10588	4	1/2" NC x 1 3/4" Cap Screw	21	RB-2612	1	6 Groove Sheave - 12" Dia.
7	RB-227	4	Boss	21	RB-2615	1	6 Groove Sheave - 15" Dia.
8	RB-160	2	Wedge Nut	22	10586	8	1/2" NC x 1 1/4" Cap Screw
9	RB-2158L	1	Carrier Bracket Assembly R.H.	22	10791	8	1/2" Lock Washer
9	RB-2158R	1	Carrier Bracket Assembly L.H.	23	RB-1873	1	Sheave Guard Retainers Strap
10	RB-444	1	Post, Belt Adj.	24	RB-1874	1	Sheave Guard Spacer
11	10587	1	1/2" NC x 1 1/2" Cap Screw	25	RB-1875	1	Sheave Guard Support
11	10781	1	1/2" Nut	26	10504	3	7/16" NC x 1 3/4" Carriage Bolt
11	10791	1	1/2" Lock Washer	26	10780	3	7/16" Nut
12	RB-2939	1	Screw Assembly	26	10790	3	7/16" Lock Washer
13	RB-2950	1	Adj. Tube Assembly	27	20038	1	3/4" NC Jam Nut
14	RB-1435	1	Drive Shaft Spacer				
15	RB-127PS	1	Hub				
16	RB-1018	1	Drive Shaft Spacer				
17	10607	1	5/8" NC x 1 1/4" Cap Screw				
17	10793	1	5/8" Lock Washer				
18	10583	4	1/2" NC x 3/4" Cap Screw				
18	10791	4	1/2" Lock Washer				

Bundles

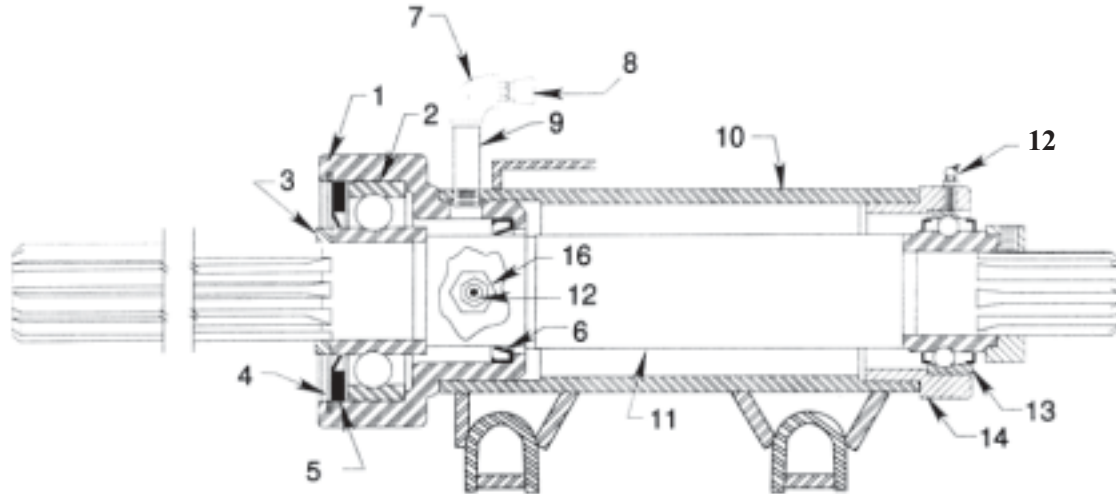
SRB4046... Belt Adj. Screw Assembly (Long - 20"),
Items 12, 13, 27

SRB4882... Heavy Duty Drive Sheave Guard, Items
19-21

Model "RB" Tiller Drive Shaft Assembly

"C" Drive (6 Belt, 1 3/4" Shaft) Only

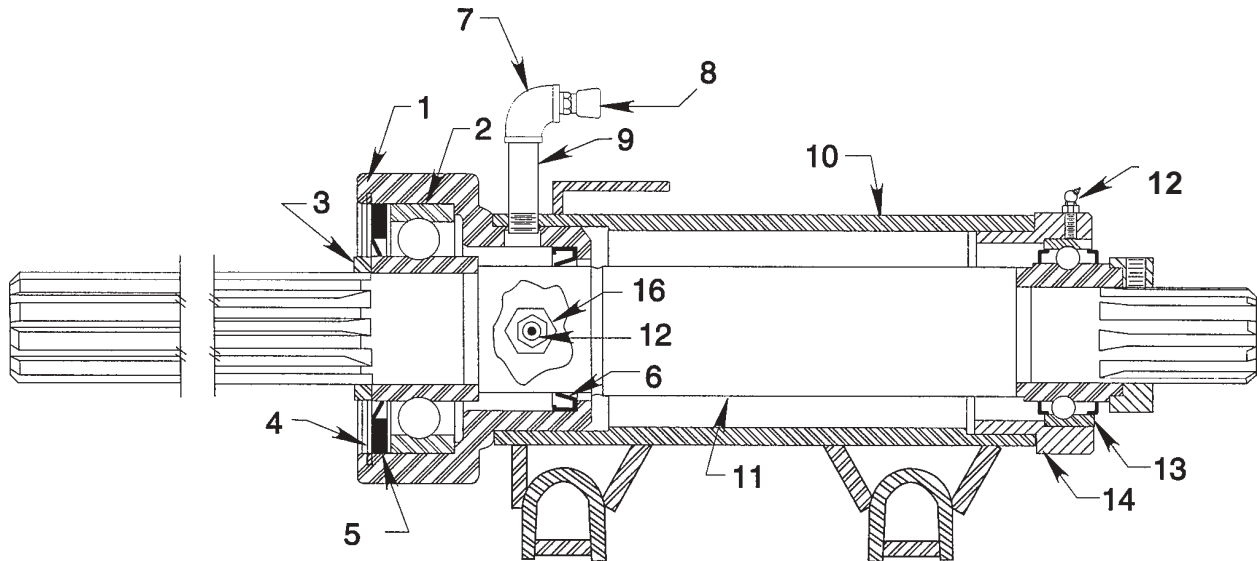
Bundle No. SRB4615



<u>Item #</u>	<u>Part #</u>	<u>Description</u>
1	RB-51PS	Rear Bearing Seat
2	RBP-1038PS	Bearing - Fafnir GN112KRR
3	RB-1435	Collar
4		Not Needed
5		Not Needed
6	RBP-1037	Grease Seal - Garlock 63 x 1282
7	RBP-1118	1/8" Pipe Ell
8	RBP-938	Breather - Alemite 301370
9	RBP-1119	1/8" x 2" Pipe Nipple
10	RB-21435	Drive Housing Tube
11	RB-1012	Drive Shaft
12	RBP-1439PS	Zirk Fitting - Alemite 1650
13	RBP-921	Bearing & Collar - Fafnir G1112KRR
14	RB-1404	Front Bearing Seat
16	RBP-1040	45° Zirk Fitting - Alemite 1652

Model "D" Dual Drive - Drive Shaft Assembly

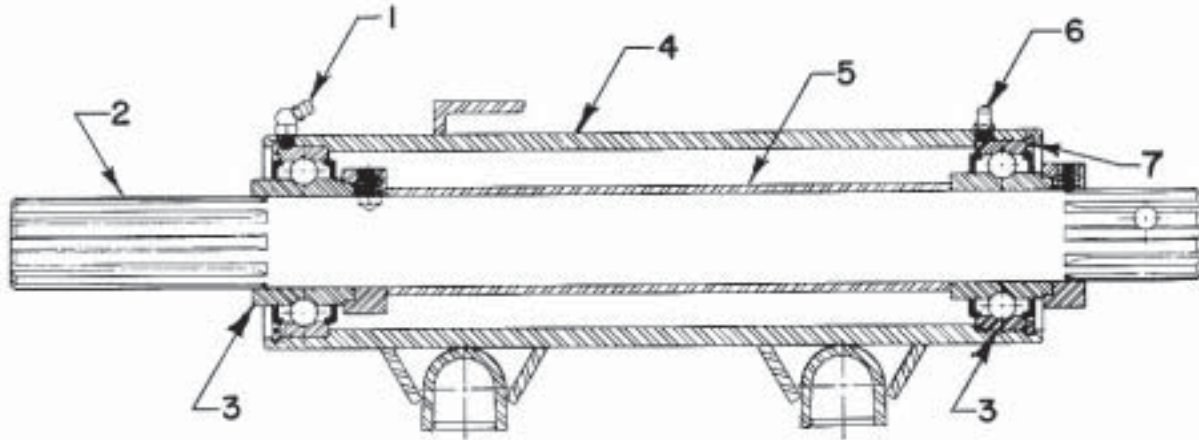
Bundle No. SRB4615-1



<u>Item #</u>	<u>Part #</u>	<u>Description</u>
1	RB-51PS	Rear Bearing Seat
2	RBP-1038PS	Bearing - Fafnir GN112KRR
3	RB-1435	Collar
4		Not Needed
5		Not Needed
6	RBP-1037	Grease Seal - Garlock 63 x 1282
7	RBP-1118	1/8" Pipe Ell
8	RBP-938	Breather - Alemite 301370
9	RBP-1119	1/8" x 2" Pipe Nipple
10	RB-21435	Drive Housing Tube
11	D-407	Drive Shaft
12	RBP-1439PS	Zirk Fitting - Alemite 1650
13	RBP-921	Bearing & Collar - Fafnir G1112KRR
14	RB-1404	Front Bearing Seat
16	RBP-1040	45° Zirk Fitting - Alemite 1652

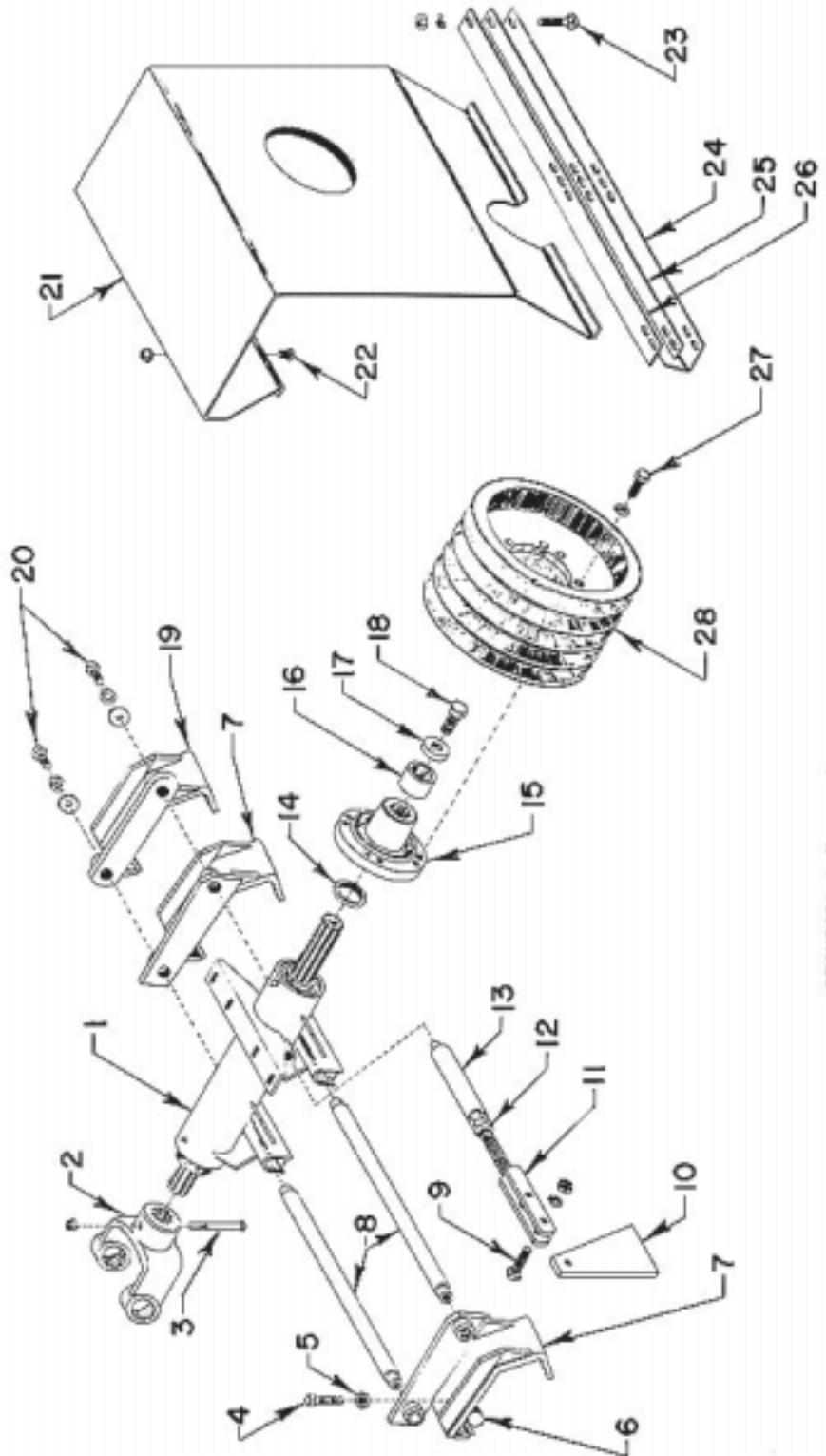
Standard Duty Drive Housing (4 & 5 Belt)

Bundle No. SRB4117



<u>Item #</u>	<u>Part #</u>	<u>Description</u>
1	RBP-1040	45° Zirk Fitting - Alemite 1652
2	RB-886	Drive Shaft - 1 1/2" - 10 Spline
3	RBP-901	Bearing - Fafnir G1108KRR
4	RB-2203	Drive Housing
5	RB-752	Drive Shaft Sleeve
6	RBP-1039	Grease fitting - Alemite 1650
7	RBP-916	Snap Ring - Spirolox RRT315

**Standard Duty & Vineyard Tiller
Center Drive Assembly**

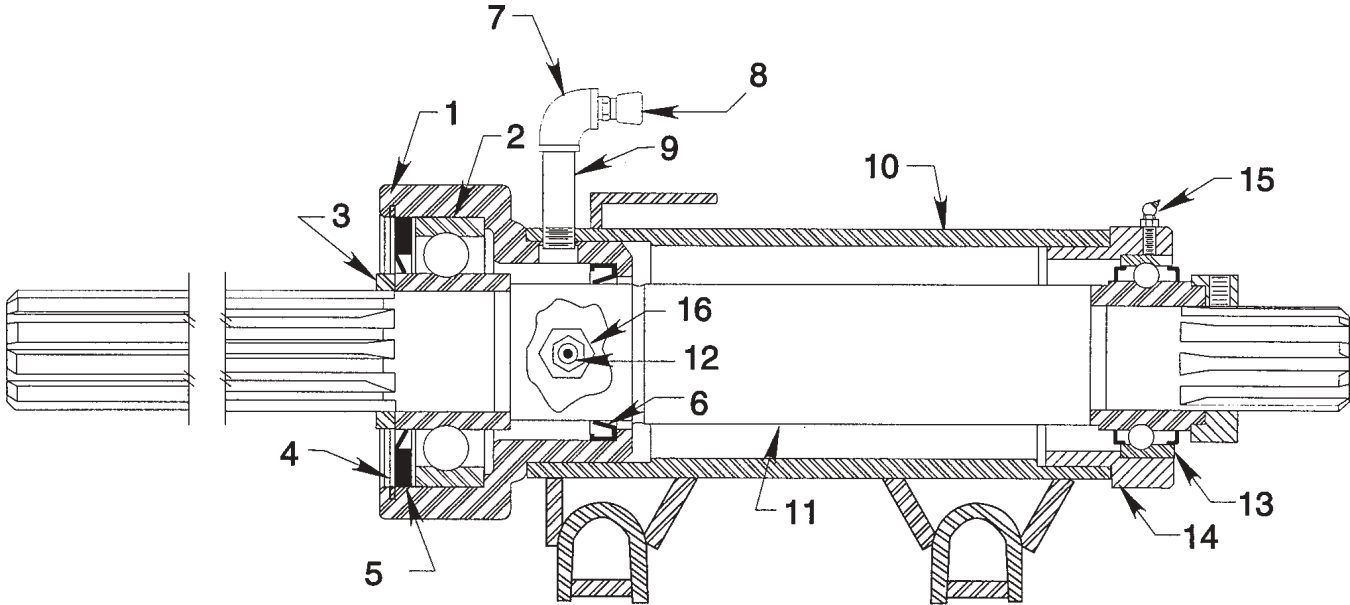


Standard Duty & Vineyard Tiller Center Drive Assembly

<u>Item</u>	<u>Part #</u>	<u>Qty.</u>	<u>Description</u>	<u>Item</u>	<u>Part #</u>	<u>Qty.</u>	<u>Description</u>
1	SRB4117	1	Drive Housing Assembly	21	RB-1872	1	Sheave Guard
2	(See Pg.A4)	1	Universal Shaft Assembly	22	10691	4	3/8" NC x 3/4" Carriage Bolt
3		1	3/8" NC x 3 1/4" Cap Screw	22		4	3/8" Flange Lock Nut
3	20030	1	3/8" Grip Nut	23	10716	3	7/16" NC x 1 3/4" Carriage Bolt
4	10588	2	1/2" NC x 1 3/4" Cap Screw	23	10780	3	7/16" Nut
5	RB-227	2	Boss	23	10790	3	7/16" Lock Washer
6	RB-323	2	Wedge Nut	24	RB-1875	1	Support - Sheave Guard
7	RB-2177	1	Base Clamp - R.H.	25	RB-1874	1	Spacer - Sheave Guard
7	RB-2178	1	Base Clamp - L.H.	26	RB-1873	1	Retainer Strap - Sheave Guard
8	RB-159	2	Spindle	27	10586	8	1/2" NC x 1 1/4" Cap Screw
9	10587	1	1/2" N.C. x 1 1/2" Cap Screw	27	10791	8	1/2" Lock Washer
9	10781	1	1/2" Nut	28	RB-2410PS	1	4 Groove - 10" dia. Sheave
9	10791	1	1/2" Lock Washer	28	RB-2412PS	1	4 Groove - 12" dia. Sheave
10	RB-1403	1	Post - Belt Adj.	28	RB-2415PS	1	4 Groove - 15" dia. Sheave
11	RB-2090	1	Screw Assembly	28	RB-2510PS	1	5 Groove - 10" dia. Sheave
12	20038	1	3/4" NC Jam Nut	28	RB-2512PS	1	5 Groove - 12" dia. Sheave
13	RB-2936	1	Adj. Tube Assembly	28	RB-2515PS	1	5 Groove - 15" dia. Sheave
14	RB-966	1	Spacer - Drive Shaft				
			(Used only when sheave is 15")				
15	RB-271PS	1	Splined Hub				
16	RB-718	1	Spacer - Drive Shaft				
17	RB-1088	1	Cap				
18	10607	1	5/8" NC x 1 1/4" Cap Screw				
18	10793	1	5/8" Lock Washer				
19	RB-2326	1	Base Clamp - R.H. (Inside Drive ONLY)	Bundles:			
19	RB-2325	1	Base Clamp - L.H. (Inside Drive ONLY)	SRB4041			Belt Adj. Screw Assembly (Short-11"), Item 11, 12, & 13
20	10583	4	1/2" NC x 3/4" Cap Screw	SRB4872			Standard Duty Drive Guard Assembly, Item 21 thru 26
20	109971	4	1/2" Lock Washer				
20	10802	4	1/2" Flat Washer				

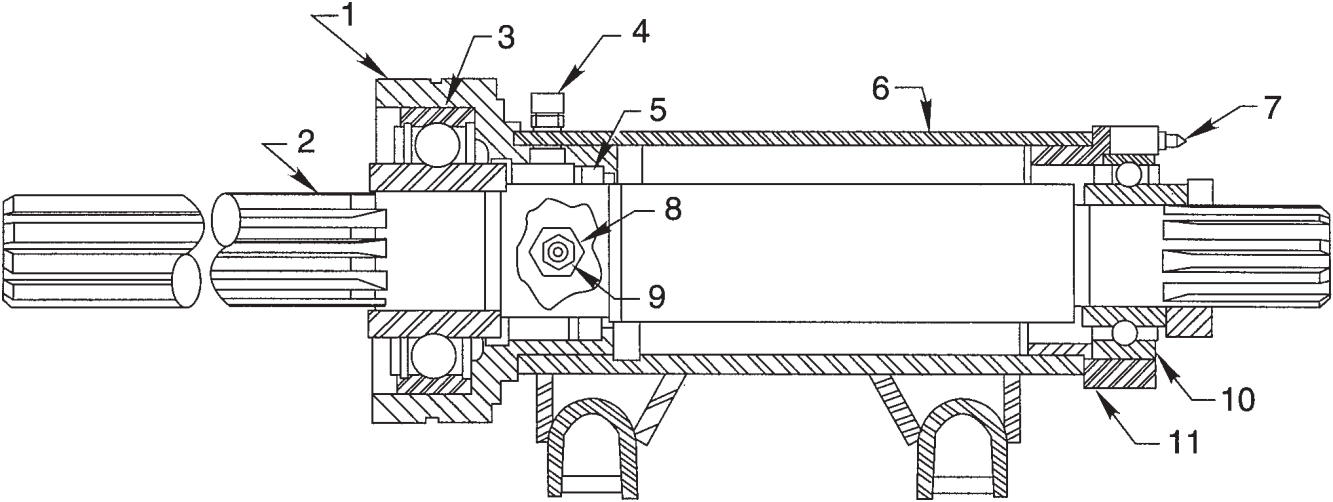
Model "L" Tiller Drive Shaft Assembly

Bundle No. SL4043



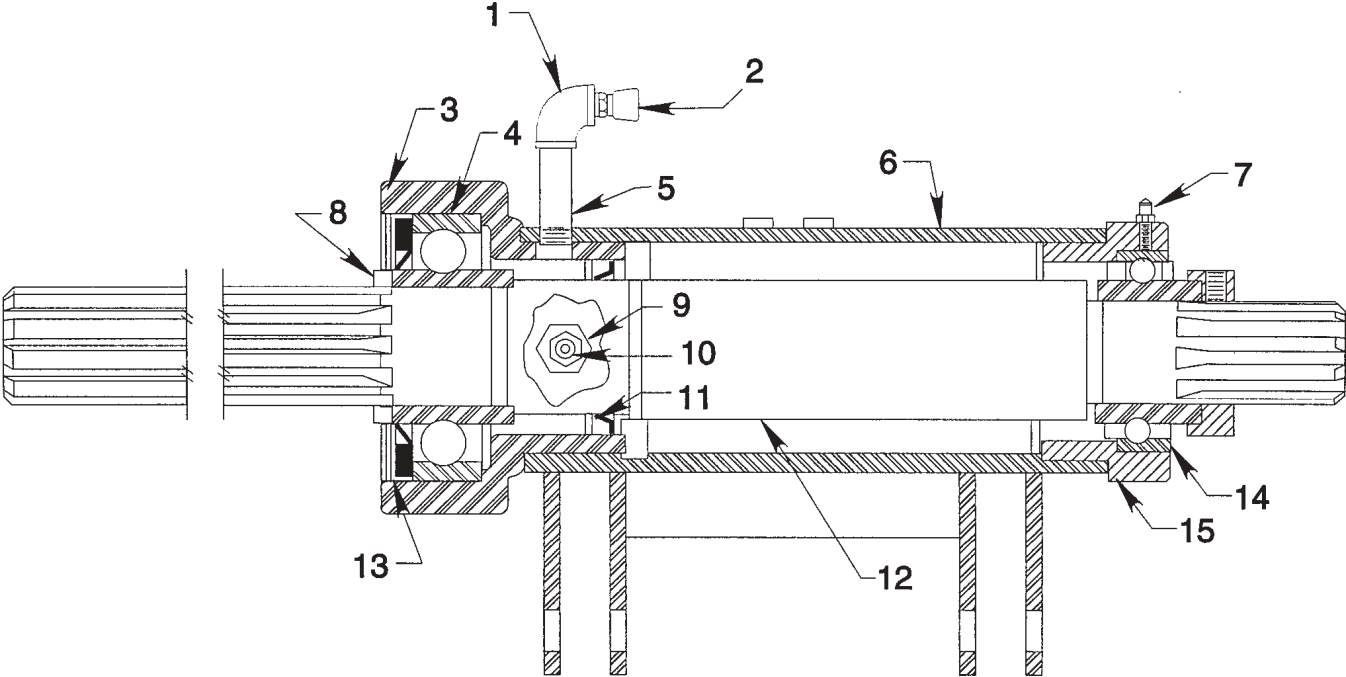
<u>Item #</u>	<u>Part #</u>	<u>Description</u>
1	RB-51PS	Rear Bearing Seat
2	RBP-1038PS	Bearing - Fafnir GN112KRR
3	RB-1435	Collar
4	RBP-1005	Retaining Ring - Spirolox RRT-400
5	RBP-1036	Grease Seal - Garlock 63 x 1762
6	RBP-1037	Grease Seal - Garlock 63 x 1282 (National 470898)
7	RBP-1118	1/8" Pipe Elbow
8	RBP-938	Breather - Alemite 1636-B
9	RBP-1119	1/8" x 2" Pipe Nipple
10	L-2043	Drive Housing Tube
11	L-70	Drive Shaft
12	RBP-1039	Zirk Fitting - Alemite 1650
13	RBP-921	Bearing & Collar - Fafnir G1112KRR
14	RB-1404	Front Bearing Seat
15	RBP-1040	45° Zirk Fitting - Alemite 1652
16	RB-1439	Grease Fitting

Model "D.D." (Dual Drive Tiller)
Lower Drive Housing (Prior to 1991)
 Bundle No. SD4520



<u>Item #</u>	<u>Part #</u>	<u>Description</u>
1	L-1327PS	Rear Bearing Seat
2	D-329	Drive Shaft
3	L-1378	Bearing - Fafnir SMN200K
4	RBP-938	Breather - Alemite 1636-B
5	L-1376	Grease Seal - National 473244
6	D-2120	Lower Drive Housing Tube
7	RBP-920	Zirk Fitting - Alemite 1762-B
8	RB-1439	Grease Fitting
9	RBP-1039	Zirk Fitting - Alemite 1650
10	RBP-921	Bearing & Collar - Fafnir G1112KRR
11	L-1328	Front Bearing Seat

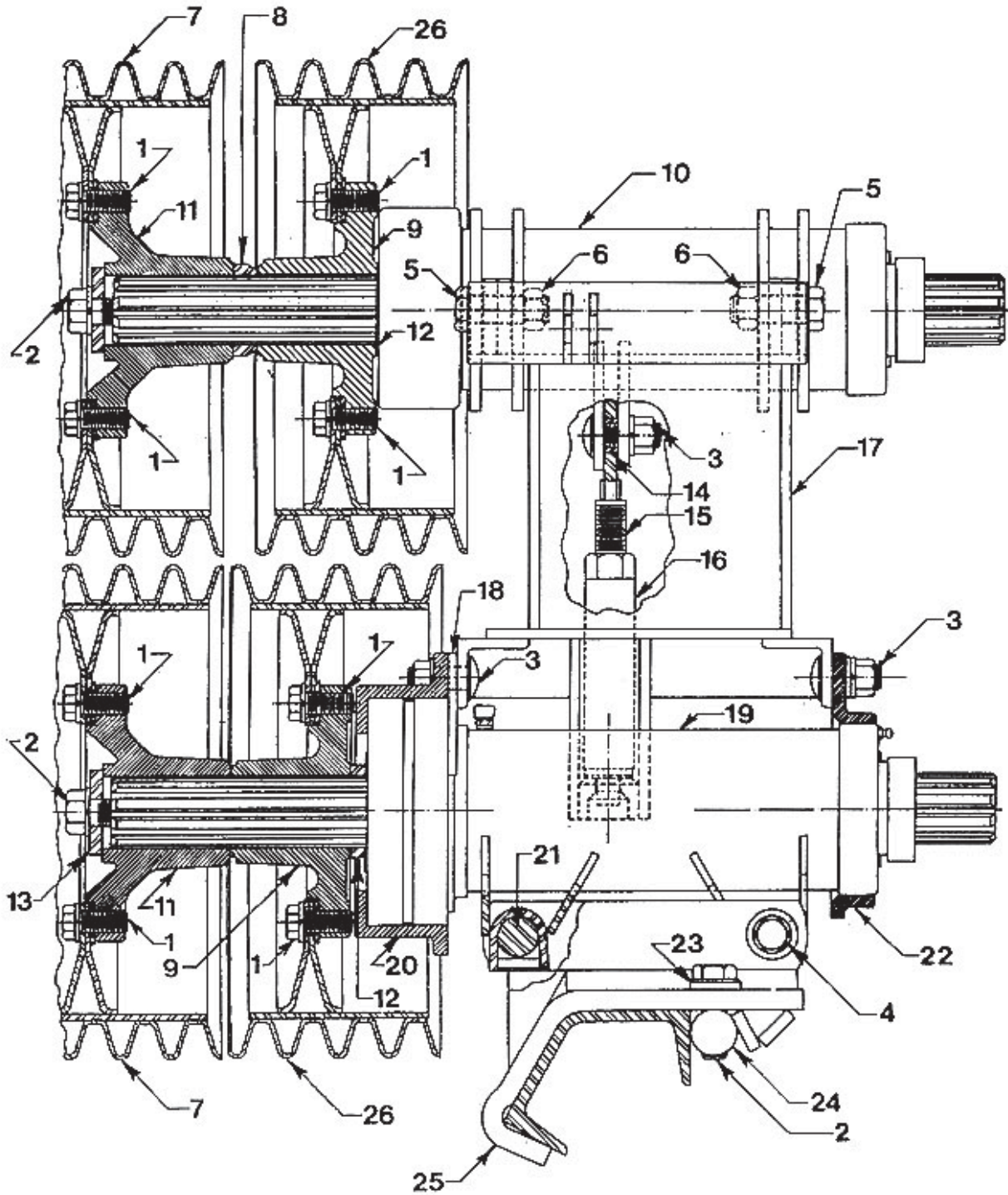
Model "D.D." (Dual Drive Tiller)
Upper Drive Housing - Prior to 1991
 Bundle No. SD4525



<u>Item #</u>	<u>Part #</u>	<u>Description</u>
1	RBP-1118	1/8" Pipe Elbow
2	RBP-938	Breather - Alemite 1636-B
3	RB-51PS	Rear Bearing Seat
4	RBP-1038PS	Bearing - Fafnir GN112KRR
5	RBP-1119	1/8" x 2" Pipe Nipple
6	D-2125	Upper Drive Housing Tube
7	RBP-1039	Zirk Fitting - Alemite 1650
8	RB-1435	Collar
9	RB-1439	Grease Fitting
10	RBP-1039	Zirk Fitting - Alemite 1650
11	RBP-1037	Grease Seal - Garlock 63 x 1282 (National 470898)
12	D-407	Drive Shaft
13	RBP-1036	Grease Seal - Garlock 63 x 1762
14	RBP-921	Bearing & Collar - Fafnir G1112KRR
15	RB-1404	Front Bearing Seat

Model "D" Dual Drive Center Drive Assembly

Bundle No. SD4675



Model "D" Dual Drive Center Drive Assembly**Prior to 1991**

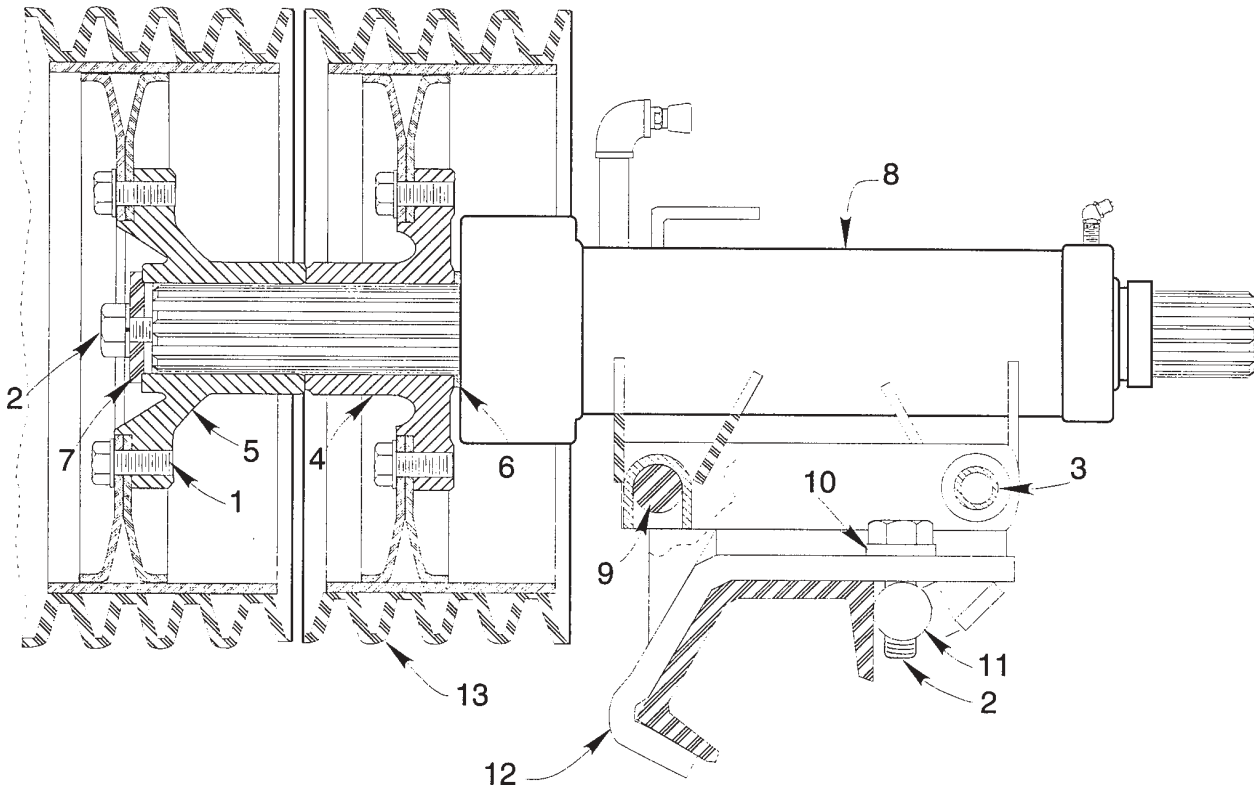
Bundle No. SD4675

<u>Item #</u>	<u>Part #</u>	<u>No. Used</u>	<u>Description</u>
1	10586	32	1/2" N.C. x 1 1/4" Cap Screw
1	10791	32	1/2" Lock Washer
2	10610	6	5/8" N.C. x 2" Cap Screw
2	10793	6	5/8" Lock Washer
3	10743	5	5/8" N.C. x 1 1/2" Carriage Bolt
3	10793	5	5/8" Lock Washer
3	10783	5	5/8" Nut
4	10583	4	1/2" N.C. x 3/4" Cap Screw
4	10791	4	1/2" Lock Washer
4	10802	4	1/2" Flat Washer
5	R-46	2	5/8" x 2" Hex H.I. Cap Screw
6	R-49	2	5/8" N.C. Gripco Nut
7	RB-2512PS	2	5 Groove Sheave, 12" Dia.
7	RB-2515PS	2	5 Groove Sheave, 15" Dia.
8	L-1408	1	Spacer
9	RB-127PS	2	Hub
10	SD4525	1	Upper Drive Housing
11	L-1308PS	2	Hub
12	RB-1435	2	Hub Spacer
13	RB-1088	2	Drive Shaft Cap
14	L-1406	1	Bushing
15	D-2315	1	Adj. Screw Assembly
16	RB-2936	1	Adj. Tube Assembly
17	D-2301	1	Upper Arm Assembly
18	D-311	1	Flange
19	SD4520	1	Lower Drive Housing
20	D-325	1	Rear Flange
21	RB-159	2	Spindle
22	D-301	1	Front Flange
23	L-1039	4	Washer, Hitch
24	L-1038	2	Wedge Nut, Hitch
25	D-2338R	1	Carrier Bracket
25	D-2338L	1	Carrier Bracket (not shown)
26	RB-2412PS	2	4 Groove Sheave, 12" Dia.
26	RB-2415PS	2	4 Groove Sheave, 15" Dia.

Model "D" Dual Drive - Center Drive Assembly

1991 and Later

Bundle No. SD4675-1

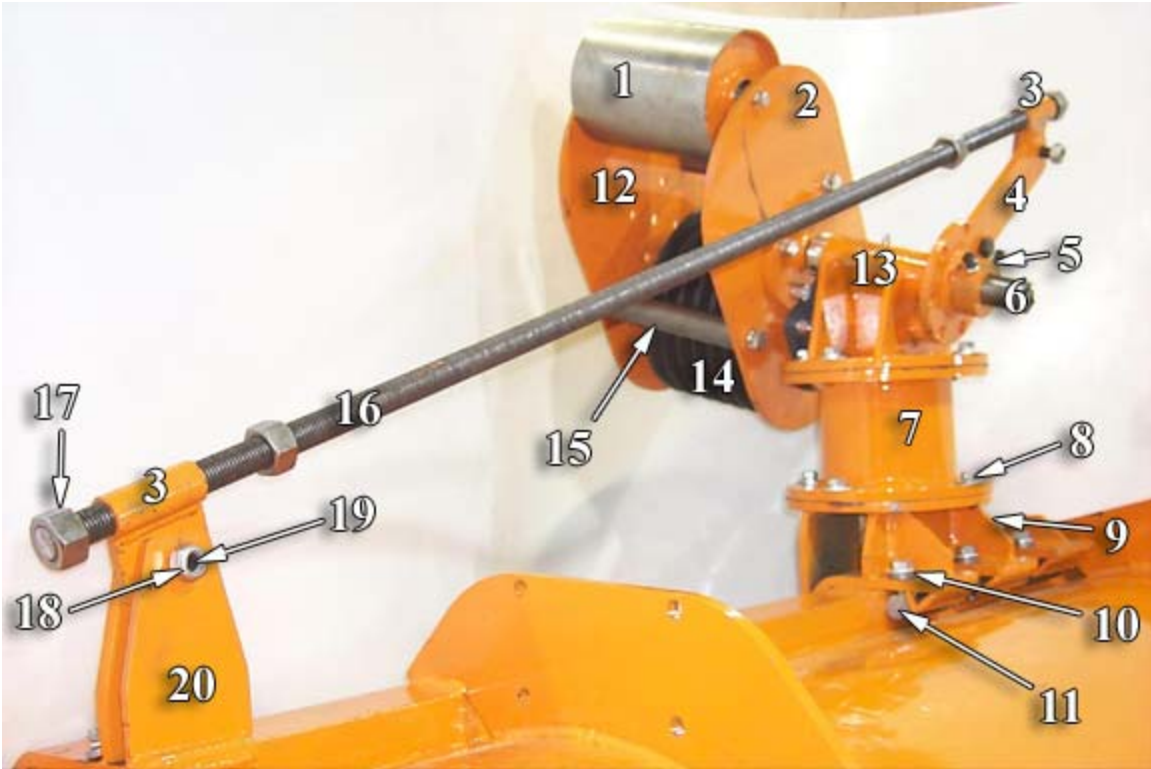


Model "D" Dual Drive - Center Drive Assembly**1991 and Later**

Bundle No. SD4675-1

<u>Item #</u>	<u>Part #</u>	<u>No.</u>	<u>Description</u>
1	10586	32	1/2" N.C. x 1 1/4" Cap Screw
1	10791	32	1/2" Lock Washer
2	10610	6	5/8" N.C. x 2" Cap Screw
2	10793	6	5/8" Lock Washer
3	10583	4	1/2" N.C. x 3/4" Cap Screw
3	10791	4	1/2" Lock Washer
3	10802	4	1/2" Flat Washer
4	RB-127PS	1	Hub
5	L-1308PS	1	Hub
6	RB-1435	1	Hub Spacer
7	RB-1088	1	Drive Shaft Cap
8	SRB4615-1	1	Center Drive Housing
9	RB-159	2	Spindle
10	L-1039	4	Washer, Hitch
11	L-1038	2	Wedge Nut, Hitch
12	D-2338R	1	Carrier Bracket
12	D-2338L	1	Carrier Bracket (not shown)
13	RB-2415PS	2	4 Groove Sheave, 15" Dia.

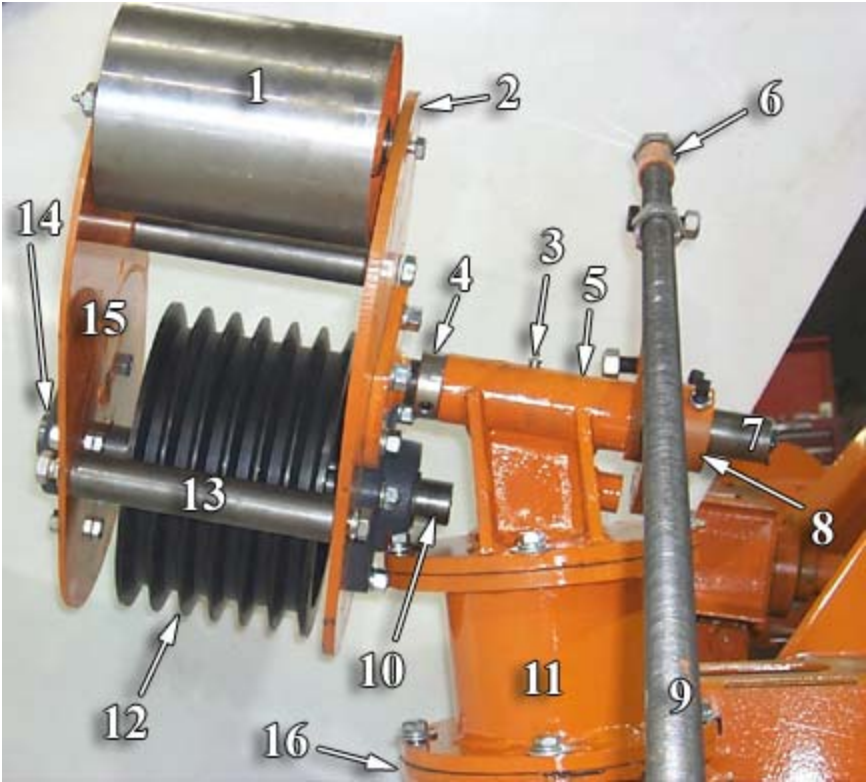
Dual Drive Left Belt Tension Arm
SD5000*



Item #	Part #	Qty.	Description	Item #	Part #	Qty.	Description
1	SRB-4039	1	6 Belt Flat Idler	11	L-1038	3	Hitch Wedge Nut
2	RB-1945	1	Tension Plate, 3/8"	12	RB1945-1	1	Tension Plate, 1/4"
3	RB-2202	2	Tension Tube Block	13	RB-31848*	1	Support Assembly Short
4	RB-1951	1	Tension Control Arm	14	36	1	Sheeve, 6C100F
5	RB-2196	1	Index Plate	15	RB-1944-1	2	Spacer 1 1/2" x 5.875"
6	RB-2197	1	Shaft Pivot Arm	16	RB-2194	1	Tension Rod
7	RB-31831	1	Support Assembly Spacer 6"	17	335	4	1" NC Nut
7	RB-31831-1	1	Support Assembly Spacer 3"	18	R-49	3	5/8" Gripnut
7	RB-31831-2	1	Support Assembly Spacer 4"	19	R-46	3	5/8" x 2" Bolt
8	10586	8	1/2" x 1 1/4" Bolt	20	RB-2198	1	Tension Support Block
8	10791	8	1/2" LockWasher				
8	10802	8	1/2" FlatWasher				
9	RB-2193	1	Support Assembly Base				
10	L-1039	6	Hitch Washer				

Dual Drive Left Belt Tension Arm

SD5000*



<u>Item #</u>	<u>Part #</u>	<u>No.Used</u>	<u>Description</u>
1	SRB-4039	1	6 Belt Flat Idler
2	RB-1945	1	Tension Plate 3/8"
3	RBP-1039	1	Gear Zirk
4	293	1	Shaft Collar 1 1/2"
5	RB-31848*	1	Support Assembly Short
6	RB-2202	2	Tensioner Tube Block
7	RB-2197	1	Shaft Pivot Arm
8	RB-2196	1	Index Plate
9	RB-2194	1	Tension Rod
10	RB780-1	1	Shaft Sleeve
11	RB-31831	1	Support Assembly Spacer, 6"
11	RB-31831-1	1	Support Assembly Spacer, 3"
11	RB-31831-2	1	Support Assembly Spacer, 4"
12	36	1	Sheeve, 6C100F
13	RB-1944-1	2	Spacer 1 1/2" x 5.875
14	L-1154	2	Flange Bearing - 4 Bolt 1 1/2"
15	RB1945-1	1	Tension Plate 1/4"
16	RB-2193	1	Support Assembly Base

Dual Drive Left Belt Tension Arm

SD5000*



<u>Item #</u>	<u>Part #</u>	<u>No.Used</u>	<u>Description</u>
1	L-101	1	Idler Post - No. 1
2	RB-1812	1	Plate - Yoke Idler Dual Drive
3	RB-2122	1	Bumper Yoke Dual Drive
4	RB-21778	2	Idler Bolt, 6 Belt Assembly
5	RB-634	2	Idler Spring, 6 Belt
6	L-2041PS	1	Idler Yoke, 6 Belt
7	SRB4039	1	Idler, 6 Belt Flat
8	SRB4040	1	Idler, 6 Belt Groove
9	RB-568	1	Idler Connecting Strap
10	RB-569	1	Idler Nut Lock Strap

Dual Drive Left Belt Tension Arm

SD5000*



Dual Drive Left Belt Tension Arm

SD5000*

<u>Item #</u>	<u>Part #</u>	<u>No.Used</u>	<u>Description</u>
1	RB-2197	1	Shaft Pivot Arm
2	RB-2202	2	Tensioner Tube Block
3	RB-1951	1	Tensioner Control Arm
4	RB1945-1	1	Tensioner Plate 1/4"
5	RB-2197	1	Shaft Pivot Arm
6	RB-2193	1	Base Support Assembly
7	293	1	Shaft Collar 1 1/2"
8	RB-2196	1	Index Plate
9	RB-1944-1	2	Spacer 1 1/2" x 5.875
10	36	1	Sheeve - 6C100F
10	RB-2610	1	Sheeve - 1999 and Later
11	SRB4039	1	6 Belt Flat Idler
12	L-1038	3	Hitch Wedge Nut
13	L-1039	6	Hitch Washer
14	L-1154	1	Flange Bearing, 4 Bolt, 1 1/2"
15	RB780-1	1	Shaft Sheeve
16	RB-31848*	1	Support Assembly Short
17	RB-11049	1	Dual Drive 1 1/2" Spacer
18	RB-31831	1	Support Assembly Spacer, 6"
18	RB-31831-1	1	Support Assembly Spacer, 3"
18	RB-31831-2	1	Support Assembly Spacer, 4"
19	42	1	Hub, Martin (F1 1/2)
19	RB-271-1PS	1	Hub - 1999 and Later
20	RB-1945	1	Tension Plate 3/8"
21	RB-2198	1	Tension Support Block

Six Belt Dual Drive

SRB4615-2



Six Belt Dual Drive

SRB4615-2

<u>Item #</u>	<u>Part #</u>	<u>No.Used</u>	<u>Description</u>
1	RB21435-2	1	Drive Housing, 6 Belt DD
2	RB2148-1	1	Center Outer Bearing Assy
3	206	2	Roll Pin 5/16"
4	D-2338-2PSR	1	Bracket Carrier 5 Deg. RH
4	D-2338-2PSL	1	Bracket Carrier 5 Deg. LH
5	L-1039	4	Washer, Hitch
6	L-1038	2	Wedge Nut, Hitch
7	RB-159	2	Spindle Center Drive
8	D407-1	1	Shaft - Dual Drive 6 Belt
9	RBP-921	1	Bearing - fafnir G1112 KRR&COL
10	RB-1404	1	Front Bearing Seat, H.D.C
11	RB-51PS	1	P/S Bearing, Seat Rear
12	RBP-1037	1	Seal - National 451948
13	RBP-1038PS	1	Bearing - fafnir G112 KRR
14	RB-1435	1	Collar HD Center Drive
15	RB-127PS	1	Hub
16	RB1140-1	1	Spacer C/D 2 3/8"
17	L1308-1PS	1	Hub
18	RB1140-2	1	Spacer C/D 2 7/8"
19	RB-11049	1	Spacer DD 1 1/2 ID
20	RBP-1333	1	Brg. 1 3/8" 4 Bolt
21	RB-1088	1	Cap H.D. Center Drive

Not Shown:

10610	4	5/8" x 2" HH Cap Screw
10793	4	5/8" LockWasher
10583	4	1/2" x 3/4" Cap Screw
10802	8	1/2" FlatWasher
10791	8	1/2" Lock Washer
10728	4	1/2" x 1 1/2" Carriage Bolts
10781	8	1/2" NC Nuts
10588	4	1/2" x 1 3/4" Cap Screws