

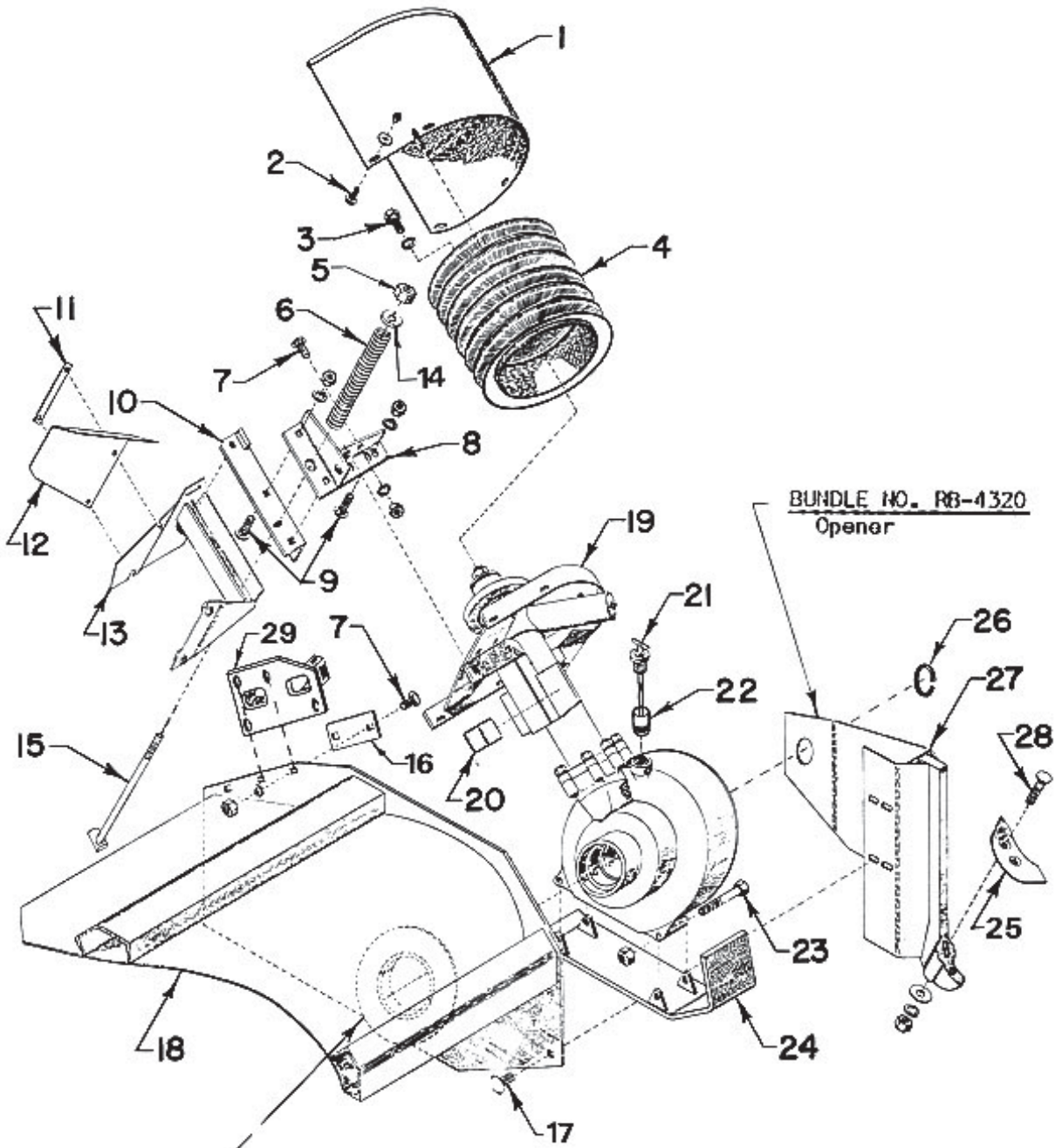
Section “D”: Idler Assembly

Model “RB” Heavy Duty Final Drive Assembly.....	D1-D2
Model “D” Heavy Duty Final Drive Assembly.....	D3-D4
Model “RB” Standard Duty Final Drive Assembly.....	D5-D6
Model “RB” & “D” Flat and Grooved Idler Assemblies.....	D7
Six Belt Flat & Grooved Idler Assemblies	D8
Five Belt Flat & Grooved Idler Assemblies.....	D9
Four Belt Flat & Grooved Idler Assemblies	D10
Five & Six Belt Stabilizers	D11
Model “RB” New Style Six Belt Stabilizer.....	D12
Idler Post Chart	D13
Model “L” Final Drive Assembly.....	D14-D15
Model “L” 6 Belt Stabilizer (Upper & Lower).....	D16



Call or E-mail Northwest Tillers today
800.204.3122 • www.nwtiller.com

"RB" Heavy Duty Final Drive Assembly



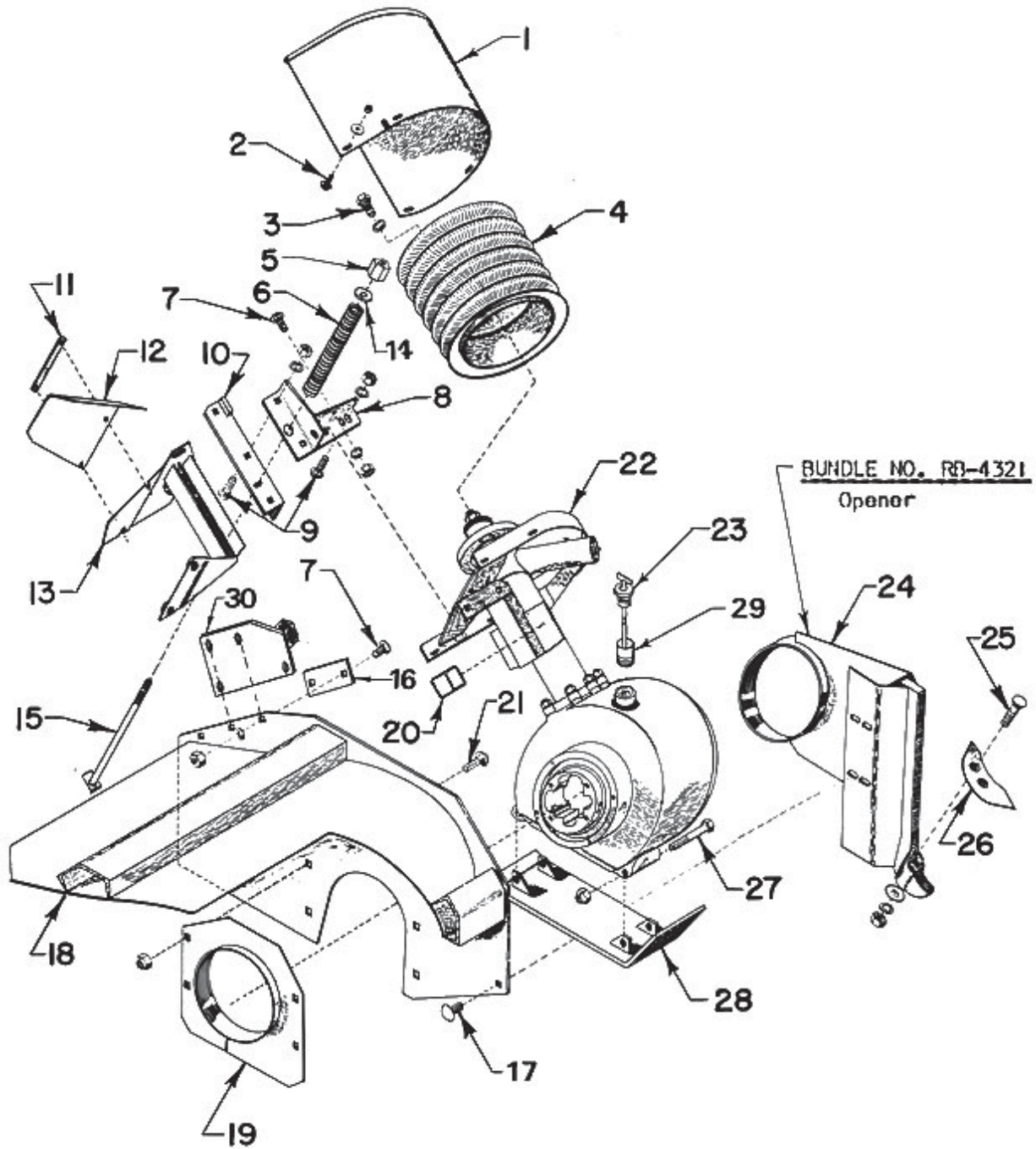
THIS PART IS REPLACEABLE
WITH RB-21987 ALIGNING
PLATE.

Model "RB" Heavy Duty Final Drive Assembly

<u>Item #</u>	<u>Part #</u>	<u>No.</u>	<u>Description</u>	<u>Item #</u>	<u>Part #</u>	<u>No.</u>	<u>Description</u>
1	RB-2172	1	Sheave Guard	18	RB-2863	1	Main Frame Assembly - Standard Tiller
2	10669	6	5/16" NC x 3/4" Carriage Bolt	18	RB-21585	1	Main Frame Assembly - High Clearance Tiller
2	10778	6	5/16" Nut	19	SRB4100	1	Gear Case Assembly (See Page B/2)
2	10788	6	5/16" Flat Washer	20	R-110	2	Shock Absorber
3	10586	8	1/2" NC x 1 1/4" Cap Screw	21	RB-1827	1	Dipstick
3	10791	8	1/2" Lock Washer	22	RB-1826	1	Dipstick Tube
4	RB-2610	1	6 Groove Sheave, 10" Dia.	23	10595	2	1/2" NC x 3 1/2" Cap Screw
4	RB-2612	1	6 Groove Sheave, 12" Dia.	23	20042	2	1/2" Grip Nut
4	RB-2615	1	6 Groove Sheave, 15" Dia.	24	RB-2600	1	Skid Shoe
5	10783	2	Nut for RB-21778	25	RBP-998	1	Shovel
6	RB-634	2	Idler Spring	26	RB-21171	1	Shovel Bracket
7	10769	4	1/2" NC x 1 1/4" Plow Bolt	27	SRB4320		Bundle
7	10781	4	1/2" Nut	28	10765A	2	7/16" NC x 1 1/2" Plow Bolt
7	10791	4	1/2" Lock Washer	28	10780	2	7/16" Nut
8	RB-2192	1	Idler Post Bracket	28	10790	2	7/16" Lock Washer
9	10727	4	1/2" NC x 1 1/4" Carriage Bolt	29	D-2322	1	Bolt on Rubber Block Support
9	10781	4	1/2" Nut				
9	10791	4	1/2" Lock Washer				
10		1	Idler Post (See Idler Post Chart* Page D/11)				
11	RB-569	1	Locking Strap - 14 GA.				
12	RB-548	1	Grooved Idler Shield				
13	RB21057	1	Idler Yoke				
14	RB-1780	2	5/8" SAE Flat Washer				
15	RB-21778	2	5/8" Bolt Assembly				
16	RB-156	1	Wear Plate				
17	10743	2	5/8" NC x 1 1/2" Carriage Bolt				
17	10783	2	5/8" Nut				
17	10793	2	5/8" Lock Washer				

NOTE: SRB4039 Flat Idler & SRB4040 Grooved Idler (not shown) are detailed on page D/7.

"D" Heavy Duty Final Drive Assembly

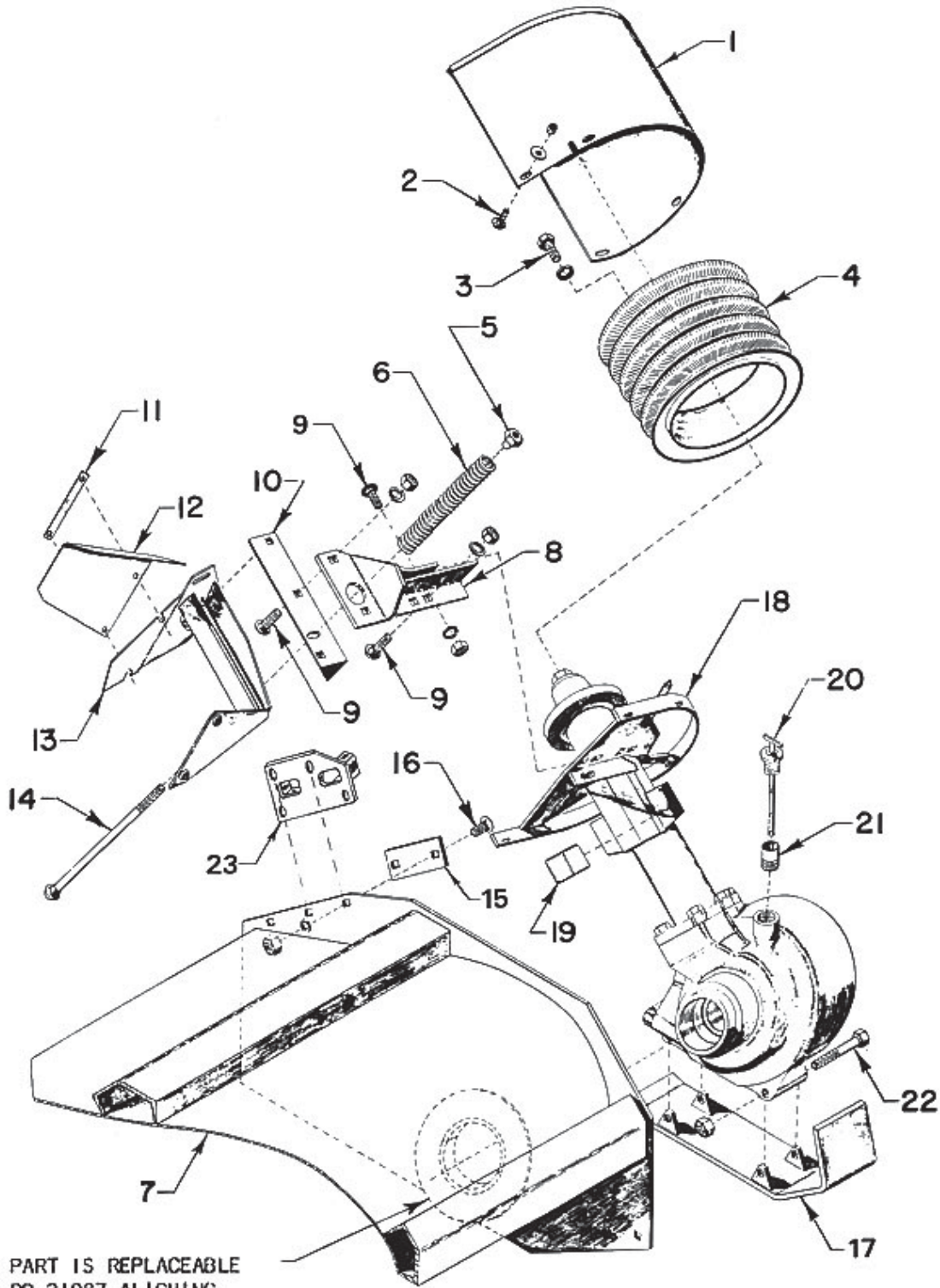


Model "D" Heavy Duty Final Drive Assembly

<u>Item</u>	<u>Part #</u>	<u>No.</u>	<u>Description</u>
1	RB-2172	1	Sheave Guard
2	10669	6	5/16" N.C. x 3/4" Carriage Bolt
2	10778	6	5/16" Nut
2	10788	6	5/16" Flat Washer
3	10586	8	1/2" N.C. x 1 1/4" Cap Screw
3	10791	8	1/2" Lock Washer
4	RB-2610	1	6 Groove Sheave, 10" Dia.
4	RB-2612	1	6 Groove Sheave, 12" Dia.
4	RB-2615	1	6 Groove Sheave, 15" Dia.
5	10783	2	Nut for RB-21778
6	RB-634	2	Idler Spring
7	10769	4	1/2" N.C. 1 1/4 Plow Bolt
7	10727	4	1/2" Nut
7	10791	4	1/2" Lock Washer
8	RB-2192	1	Idler Post Bracket
9	10743	4	1/2" N.C. x 1 1/2" Carriage Bolt
9	10781	4	1/2" Nut
9	10791	4	1/2" Lock Washer
10		1	Idler Post (See Idler Post Chart O&M, & D/11)
11	RB-569	1	Locking Strap - 14 GA.
12	RB-548	1	Grooved Idler Shield
13	RB-21057	1	Idler Yoke
14	RB-1780	2	5/8" SAE Flat Washer
15	RB-21778	2	5/8" Bolt Assembly
16	RB-156	1	Wear Plate
17	22	2	5/8" N.C. x 1 1/4" Carriage Bolt
17	10783	2	5/8" Nut
17	10793	2	5/8" Lock Washer
18	D-2504	1	Main Frame Assembly - "D" Tiller
18	RB-21585	1	Main Frame Assembly - High Clearance Tiller
19	D-2420	1	Support Flange Assembly
20	R-110	2	Shock Absorber
21	10743	4	5/8" N.C. x 1 1/2" Carriage Bolt
21	R-49	4	5/8" Grip Nut
22	SD4105	1	Gear Case Assembly - "D" Tiller (See page B/7.1 for detailed parts)
22	SD5105	1	Gear Case Assembly - "D" Tiller (See page B/8.1 for detailed parts)
22	SRB4700	1	Gear Case Assembly - "D" Tiller (See page B/6 for detailed parts)
23	RB-1827	1	Dipstick
24	D-2335	1	Shovel Bracket
25	10765A	2	7/16" N.C. x 1 1/2" Plow Bolt
25	10780	2	7/16" Nut
25	10790	2	7/16" Lock Washer
26	RBP-998	1	Shovel IF-110
27	10595	2	1/2" N.C. x 3 1/2" Cap Screw
27	20042	2	1/2" Grip Nut
28	D-2080	1	Skid Shoe
29	RB-1826	1	Dipstick Tube
30	D-2323	1	Rubber Block Support

NOTE: SRB4039 Flat Idle & SRB4040 Grooved Idler (not shown) are detailed on page D/7.

Model "RB" Standard Duty Final Drive Assembly

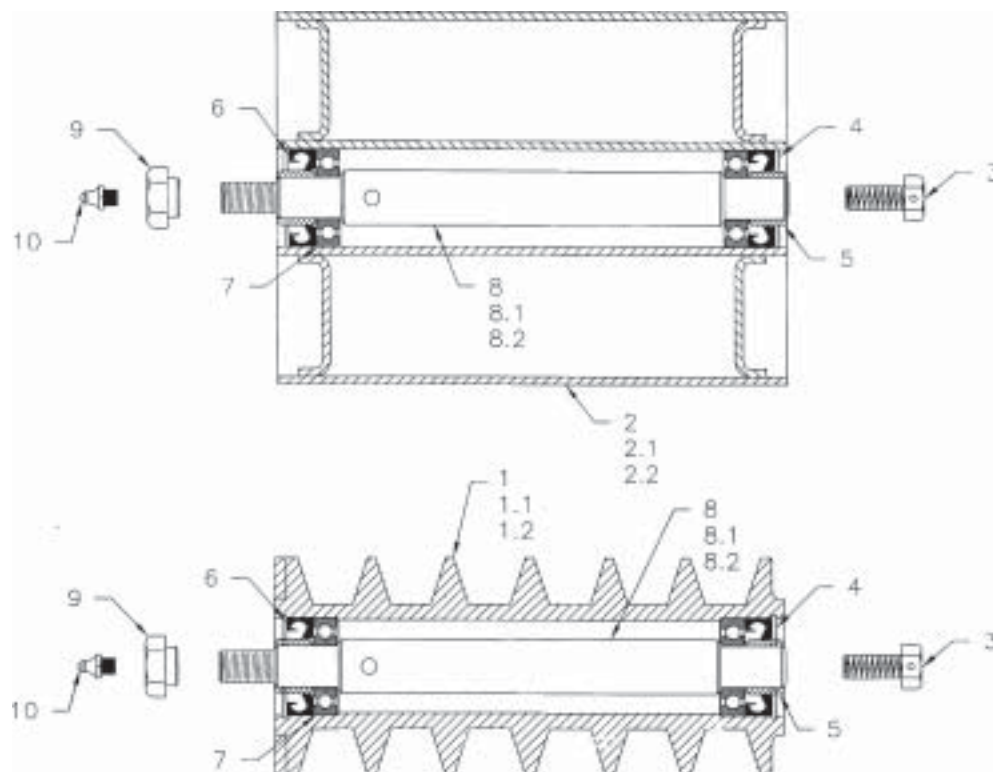


THIS PART IS REPLACEABLE
WITH RB-21987 ALIGNING
PLATE.

Model "RB" Standard Duty Final Drive Assembly

<u>Item</u>	<u>Part #</u>	<u>No.</u>	<u>Description</u>	<u>Item</u>	<u>Part #</u>	<u>No.</u>	<u>Description</u>
1	RB-2561	1	Sheave Guard - 4 & 5 Belt	12	RB-548	1	Grooved Idler Shield
2	10669	5	5/16" N.C. x 3/4" Carriage Bolt				NOTE: All Tillers with C-18 Belts use RB-568 Connecting Strap instead of RB-548
2	10778	5	5/16" Nut	13	RB-2732	1	Yoke, 4 Belt Idler
2		5	5/16" Flat Washer	13	RB-2733	1	Yoke, 5 Belt Idler
3	10586	8	1/2" N.C. x 1 1/4" Cap Screw	14	RB-179	2	Idler Spring Bolt - 4 Belt - 3/8" x 8" Carriage Bolt
3	10791	8	1/2" Lock Washer	14	RB-182	2	Idler Spring Bolt - 5 Belt - 3/8" x 10" Carriage Bolt
4	RB-2410PS	1	4 Groove Sheave, 10" Dia.	15	RB-156	1	Wear Plate
4	RB-2412PS	1	4 Groove Sheave, 12" Dia.	16	10769	2	1/2" N.C. x 1 1/4" Plow Bolt
4	RB-2415PS	1	4 Groove Sheave, 15" Dia.	16	10727	2	1/2" Nut
4	RB-2510PS	1	5 Groove Sheave, 10" Dia.	16	10791	2	1/2" Lock Washer
4	RB-2512PS	1	5 Groove Sheave, 12" Dia.	17	RB-2585	1	Skid Shoe
4	RB-2515PS	1	5 Groove Sheave, 15" Dia.	18	SRB4200	1	Gear Case Assembly (See page B/4 for detailed parts.)
5	RB-189	2	Nut for Idler Spring Bolt	19	R-110	2	Shock Absorber
6	R-140	2	Idler Spring - 4 Belt only	20	RB-1827	1	Dipstick
6	RB-686	2	Idler Spring - 5 Belt only	21	RB-1826	1	Dipstick Tube
7	RB-2863	1	Main Frame Assembly	22	10595	2	1/2" N.C. x 3 1/2" Cap Screw
8	RB-21030	1	Idler Post Bracket	22	20042	2	1/2" Grip Nut
9		5	1/2" N.C. 1 1/4" Carriage Bolt	23	D-2322	1	Bolt on Rubber Block Support
9	10727	5	1/2" Nut				NOTE: SRB4030 & SRB4032 (4 Belt) & SRB4031 & SRB4033 (5 Belt) Flat & Grooved Idlers (not shown) are detailed on pages D/8 & D/9.
9	10791	5	1/2" Lock Washer				
10		1	Idler Post 4 & 5 Belt (See Idler Post Chart O&M8-10 & D/11)				
11	RB-569	1	Locking Strap - 14 GA.				

Model "RB" & "D" Tiller 4, 5, & 6 Belt Flat & Grooved Idler Assemblies



<u>Item #</u>	<u>Part #</u>	<u>No.Used</u>	<u>Description</u>
1.	RB-60PS	1	Grooved Idler (6 Belt)
1.1	RB-50PS	1	Grooved Idler (5 Belt)
1.2	RB-49PS	1	Grooved Idler (4 Belt)
2.	RB-2195	1	Flat Idler (6 Belt)
2.1	RB-2806	1	Flat Idler (5 Belt)
2.2	RB-2747	1	Flat Idler (4 Belt)
3.	RB-729PS	1	Idler Shaft Cap Screw
4.	RBP-915	2	Snap Ring (Turarc N5000-156)
5.	RB-731	2	Idler Shaft Sleeve
6.	RBP-922	2	Grease seal (Garlock 63x217)
7.	RBP-902	2	Bearing (Fafnir 203k)
8.	RB-194	1	Idler Shaft (6 Belt)
8.1	RB7544	1	Idler Shaft (5 Belt)
8.2	RB-730	1	Idler Shaft (4 Belt)
9.	RB-572PS	1	Idler Shaft Nut
10.	RBP-1039	1	1/8" Zirk Fitting (Alemite 1650)

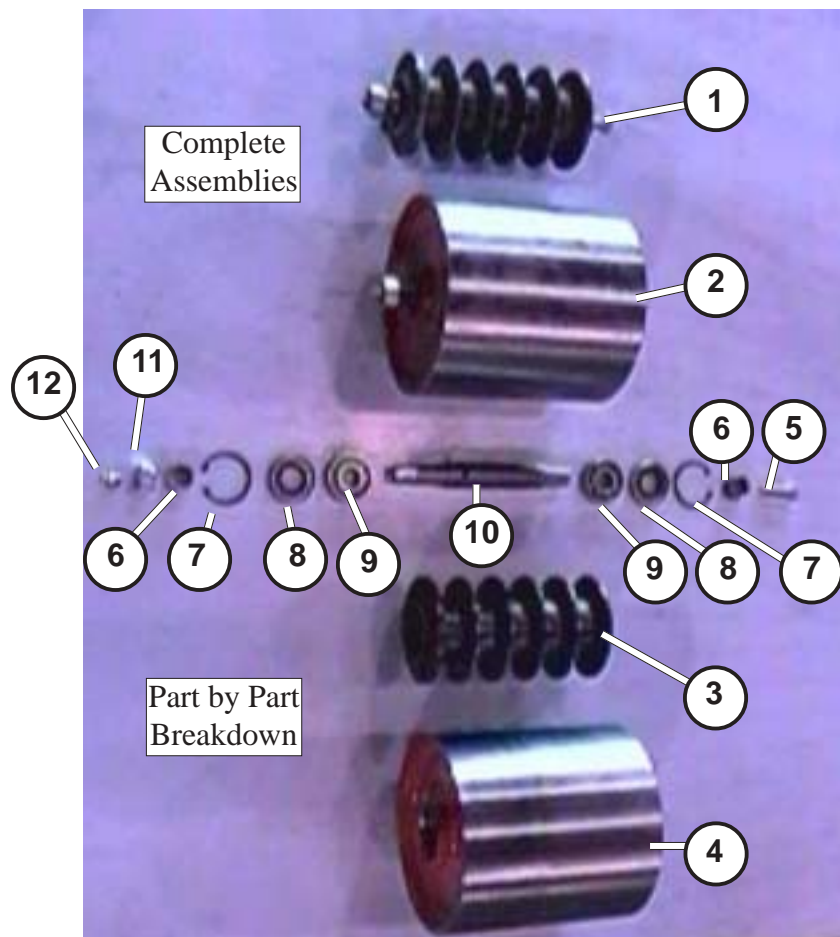
Model "RB" & "D" Tiller

6 Belt Flat & Grooved Idler Assemblies



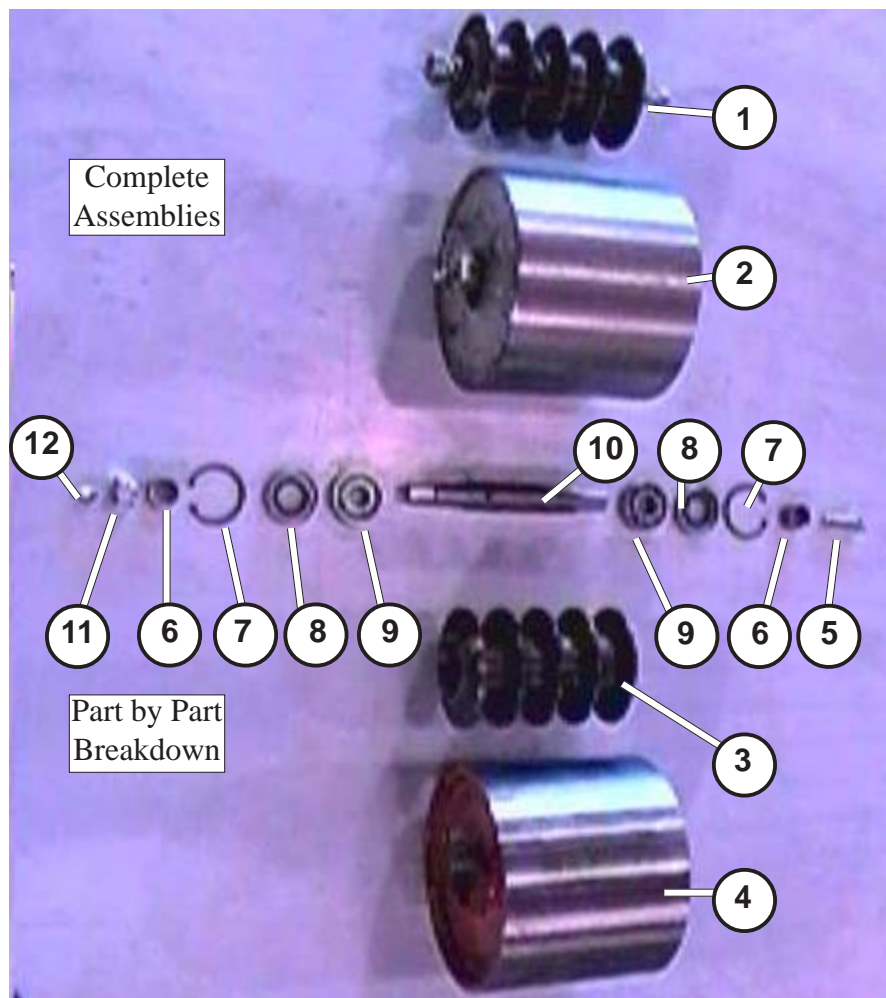
Item #	Part #	No.Used	Description
1	SRB4040		Grooved Idler Assembly
2	SBR4039		Flat Idler Assembly
3	RB-60PS	1	Grooved Idler
4	RB-2195	1	Flat Idler
5	RB-729PS	1	Cap Screw, Idler Shaft
6	RB-731	2	Idler Shaft Sleeve
7	RBP-915	2	Snap Ring - Truarc N5000-156
8	RBP-922	2	Grease Seal - Garlock 63 x 217
9	RBP-902	2	Bearing - Fafnir 203K
10	RB-194	1	Idler Shaft
11	RB-572PS	1	Idler Shaft Nut
12	RBP-1039	1	1/8" Zirk Fitting - Alemite #1650

Model "RB" Tiller
5 Belt Flat & Grooved Idler Assemblies



<u>Item #</u>	<u>Part #</u>	<u>No.Used</u>	<u>Description</u>
1	SRB4033		Grooved Idler Assembly
2	SRB4031		Flat Idler Assembly
3	RB-50PS	1	Grooved Idler
4	RB-2806	1	Flat Idler
5	RB-729PS	1	Cap Screw, Idler Shaft
6	RB-731	2	Idler Shaft Sleeve
7	RBP-915	2	Snap Ring - Truarc N5000-156
8	RBP-922	2	Grease Seal - Garlock 63 x 217
9	RBP-902	2	Bearing - Fafnir 203K
10	RB-754	1	Idler Shaft
11	RB-572PS	1	Idler Shaft Nut
12	RBP-1039	1	1/8" Zirk Fitting - Alemite #1650

Model "RB" Tiller
4 Belt Flat & Grooved Idler Assemblies

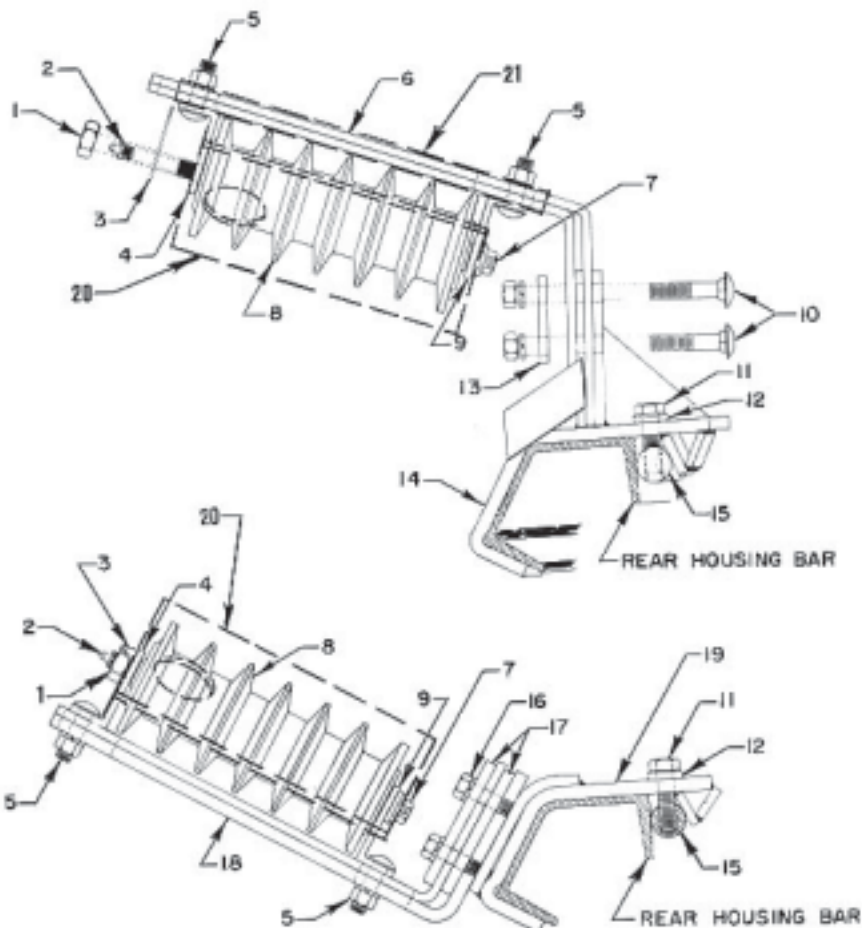


<u>Item #</u>	<u>Part #</u>	<u>No.Used</u>	<u>Description</u>
1	SRB4032		Grooved Idler Assembly
2	SBR4030		Flat Idler Assembly
3	RB-49PS	1	Grooved Idler
4	RB-2747	1	Flat Idler
5	RB-729PS	1	Cap Screw, Idler Shaft
6	RB-731	2	Idler Shaft Sleeve
7	RBP-915	2	Snap Ring - Truarc N5000-156
8	RBP-922	2	Grease Seal - Garlock 63 x 217
9	RBP-902	2	Bearing - Fafnir 203K
10	RB-730	1	Idler Shaft
11	RB-572PS	1	Idler Shaft Nut
12	RBP-1039	1	1/8" Zirk Fitting - Alemite #1650

Model "RB" Rotary Tiller 5 & 6 Belt Stabilizers (Upper & Lower)

Upper Belt Stabilizer
 Bundle # SRB4412 - 6 Belt
 Bundle # SRB4413 - 5 Belt
 Bundle # SD4418 - 4 Belt

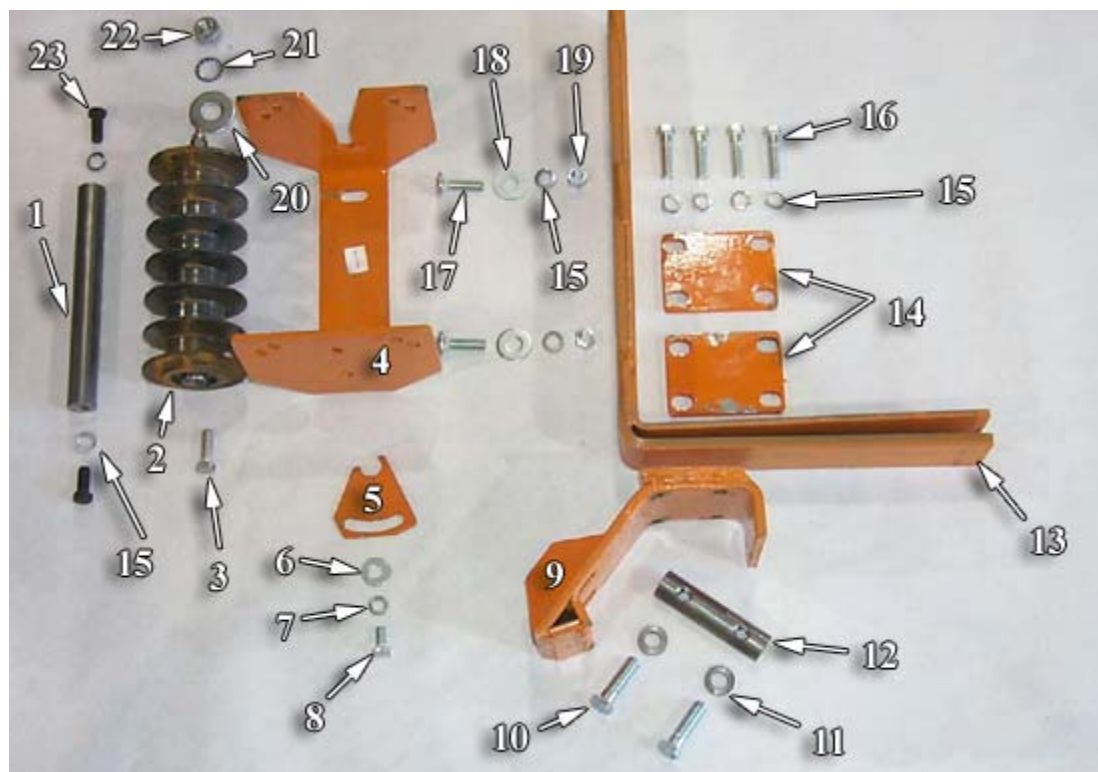
Lower Belt Stabilizer
 Bundle # SRB4415 - 6 Belt
 None Required On 5 Belt
 Bundle # SD4416 - 4 Belt RH
 SD4417 - 4 Belt LH



Item #	Part #	Description	Item #	Part #	Description
1	94	5/8" NF Hex Jam Nut	10	10790	7/16" Lock Washer
2	RBP-1039	1/8" Zirk Fitting - Alemite1650	11	10588	1/2" x 1 3/4" Cap Screw
3	RB-251	Lock Tab	12	RB-227	Boss
4	RB-249	Front Clip	13	RB-256	Clamp Bracket
5	10715	7/16" x 1 1/2" Carriage Bolt	14	RB-2252	Clamp Assembly
5	10780	7/16" Nut	15	RB-160	Wedge Nut
5	10801	7/16" Flat Washer	16	10504	7/16" x 1 3/4" Cap Screw
5	10790	7/16" Lock Washer	16	10790	7/16" Lock Washer
6	RB-2270	Idler Support Assembly - 5 Belt	17	L-940	Clamp Bracket
6	RB-2280	Idler Support Assembly - 6 Belt	18	RB-21822	Idler Support Assembly
7	RB-729	Idler Shaft Cap Screw	19	L-2887	Base - Belt Guide
8	SRB4033	Idler Assembly - 5 Belt	20	RB-21890	Guard - 4 Belt
8	SRB4040	Idler Assembly - 6 Belt	20	RB-21888	Guard - 5 Belt
9	RB-2250	Clip Assembly	20	RB-21887	Guard - 6 Belt
10	45	7/16" x 2 1/4" Carriage Bolt	21	RB-1832	Cover Guard - 4 Belt
10	10780	7/16" Nut	21	RB-1833	Cover Guard - 5 Belt
			21	RB-1889	Cover Guard - 6 Belt

Model "RB" Rotary Tiller

New Style Belt Stabilizer (upper & lower)

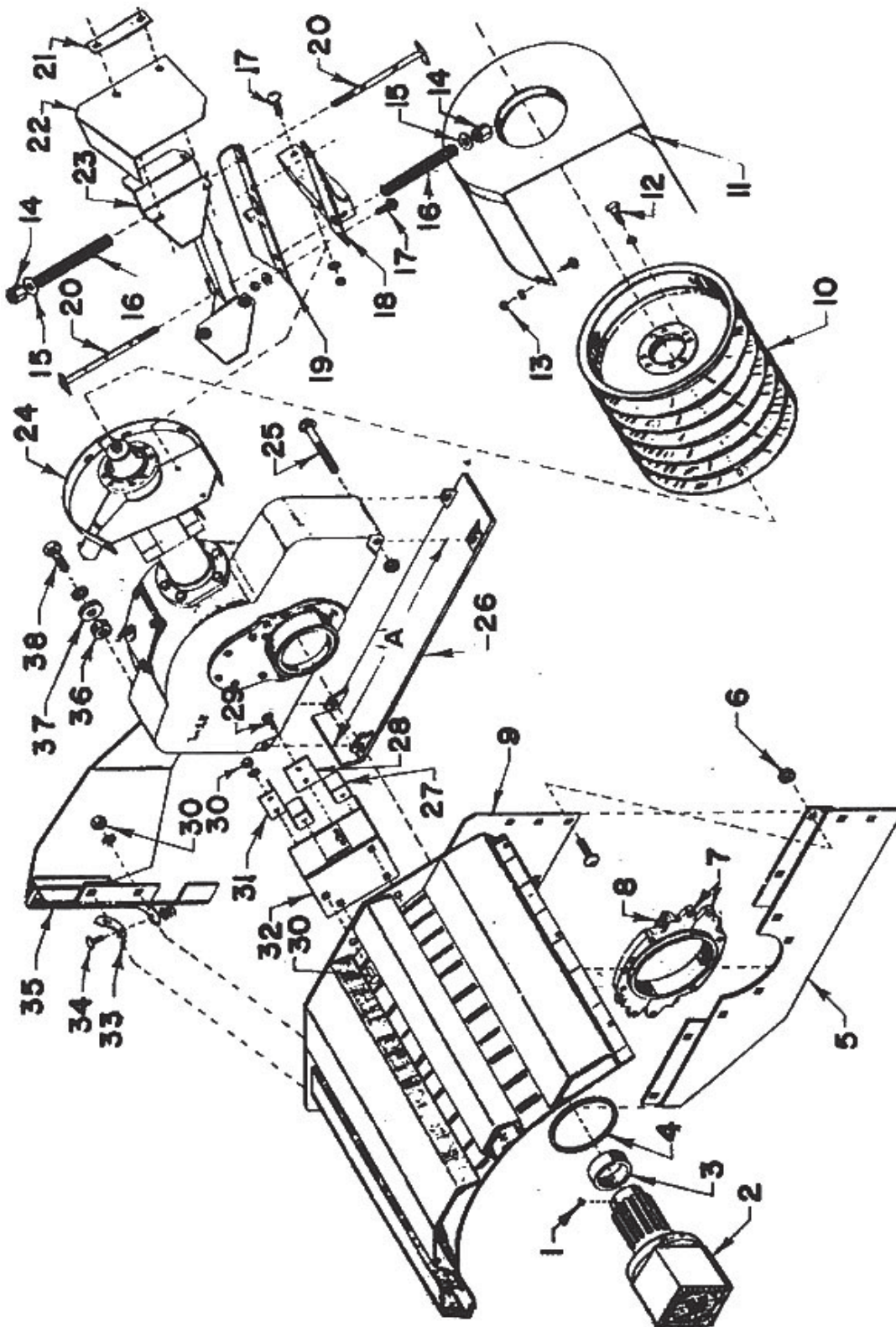


<u>Item</u>	<u>Part #</u>	<u>No.</u>	<u>Description</u>	<u>Item</u>	<u>Part#</u>	<u>No.</u>	<u>Description</u>
1	RB-31823-6	1	Shaft	15	10790	8	7/16" Lock Washer
2	SRB-4040	1	Idler Assembly	16	10504	4	7/16" x 1 3/4" Cap Screw
3	RB-729	1	Idler Shaft Cap Screw	17	10715	2	7/16" x 1 1/2" Carriage Bolt
4	RB-31788	1	Six Belt Idler Mount	18	10801	2	7/16" Flat Washer
5	RB-31789	1	Bracket Hold Hex	19	10780	2	7/16" Nut
6	24	1	3/8" Lock Washer	20	10804	1	5/8" Flat Washer
7	10800	1	3/8" Flat Washer	21	243	1	5/8" Internal Star Washer
8	10565	1	3/8" x 1" NC Cap Screw	22	3375	1	5/8" NF Jam Nut R/H
9	L-2887	1	Base - Belt Guide	23	10501	2	7/16" x 1" NC Cap Screw
10	10588	2	1/2" x 1 3/4" Cap Screw				
11	RB-227	2	Boss				
12	RB-160	1	Wedge Nut				
13	RB-2280-1	1	Idler Support Assembly (Lower)				
13	RB-2280-2	1	Idler Support Assembly (Upper)				
14	L-940	2	Clamp Bracket				

Idler Post Chart

<u>Post Letter</u>	<u>Part #</u>
A	RB-101 - 5 Belt
B	RB-102 - 5 Belt
C	RB-103 - 5 Belt
D	RB-104 - 5 Belt
E	RB-105 - 5 Belt
F	RB-111 - 4 Belt
G	RB-112 - 4 Belt
H	RB-108 - 4 Belt
I	RB-113 - 4 Belt
J	RB-110 - 4 Belt
K	RB-109 - 5 Belt
L	RB-115 - 6 Belt
N	RB-117 - 6 Belt
R	RB-121 - 6 Belt
S	RB-122 - 6 Belt
T	RB-120 - 6 Belt
U	RB-123 - 6 Belt
V	RB-124 - 6 Belt
W	RB-125 - 6 Belt
X	RB-119 - 6 Belt
Y	RB-118 - 6 Belt

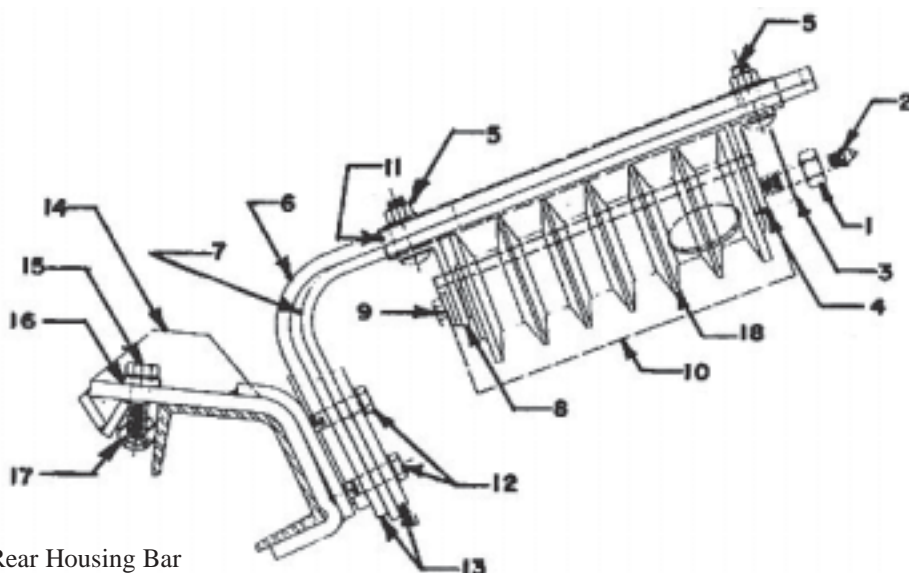
"L" Tiller Final Drive Assembly



"L" Tiller Final Drive Assembly

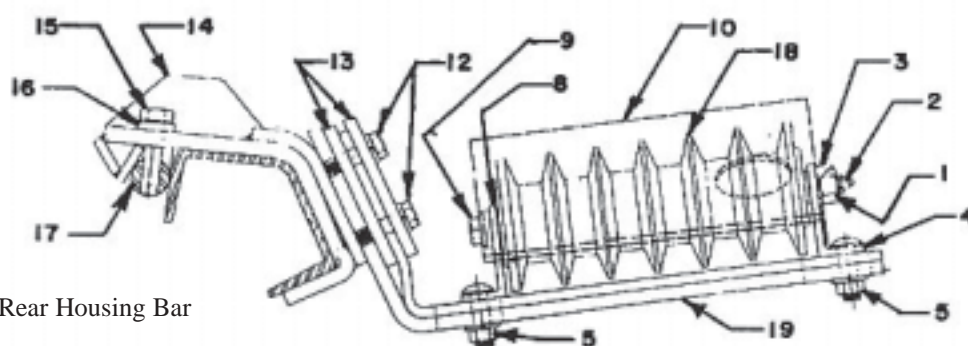
<u>Item</u>	<u>Part #</u>	<u>No.</u>	<u>Description</u>	<u>Item</u>	<u>Part #</u>	<u>No.</u>	<u>Description</u>
1		1	3/16" X 3/4" Woodroof Key	21	RB-569	1	Locking Strap
2	L-2058	1	Rotor Shaft Assem- bly (Specify Tiller Width)	22	L-1097	1	Idler Guard
3	L-154A	1	Sleeve	23	L-2041	1	Idler Yoke Assem- bly
4	L-33	1	Dust Ring	24	L-4301	1	Gear Case R.H.
5	L-2056	1	Frame End R.H.	25		2	1/2" x 6 1/2" Car- riage Bolt
6	10743		5/8" x 1 1/2" Car- riage Bolt	25		2	1/2" Grip Nut
6	R-49		5/8" Grip Nut	26	L-2377	1	Skid Shoe ("A" is 18 7/8")
7	L-68A	2	Collar	26	L-2376	1	Skid Shoe ("A" is 24 7/8")
8		2	5/8" x 8" Cap Screw	27	R-110	4	Shock Absorber
8	R-49	2	5/8" Grip Nut	28	L-91	1	Ruber Plate
9	L-2052	1	Main Frame Assem- bly (Specify Tiller Width)	29		1	5/8" x 1 1/2" #3 Plow Bolt
10	RB-2612	1	6 Groove Sheave, 12" Dia.	29	10783	1	5/8" Nut
11	RB-2172	1	Sheave Guard	29	10793	1	5/8" Lock Washer
12	10586	8	1/2" x 1 1/4" Cap Screw	31	L-88	1	Rubber Block Stop
12	10791	8	Lock Washer	32	L-2080	1	Rubber Block Support
13		6	5/16" x 3/4" Car- riage Bolt	33	RBP-993	1	Shovel - #IF-110
13	10783	6	5/16" Nut	34	10765A	2	7/16" x 1 1/2" Plow Bolt
13		6	5/16" Flat Washer	34	10780	2	7/16" Nut
14	10783	2	Nut for RB-21778	34	10790	2	Lock Washer
15	RB-1780	2	5/8" SAE Flat Washer	35	L-2090	1	Opener Assembly
16	RB-634	2	Idler Spring	36	L-69	1	Boss - Opener
17	10728	4	1/2" x 1 1/2" Car- riage Bolt	37	RB-173	1	Cap
17	10781	4	1/2" Nut	38	10629	1	3/4" x 1 1/2" Cap Screw
17	10291	4	1/2" Lock Washer	38	10794	1	3/4" Lock Washer
18	L-2045	1	Idler Post Anchor Assembly (See Sheave, Belt & Idler)	NOTE: SRB4039 Flat Idler & SRB4040 Grooved Idler (Not Shown) are detailed on page D/7.			
20	RB-21778	2	5/8" Idler Spring Bolt Assy.	Bundle: L-4180 Opener Assembly, Complete			

Model "L" Rotary Tiller
6 Belt Stabilizers (Upper & Lower)



UPPER BELT STABILIZER
 Bundle No. SL4149

Rear Housing Bar



LOWER BELT STABILIZER
 Bundle No. SL4150

Rear Housing Bar

<u>Item</u>	<u>Part #</u>	<u>Description</u>	<u>Item</u>	<u>Part #</u>	<u>Description</u>
1	94	5/8" NF Hex Jam Nut	8	RB-2250	Clip Assembly
2	RBP-1039	1/8" Zirk Fitting Alemite 1650	9	RB-729PS	Idler Shaft Cap Screw
3	RB-251	Lock Tab	10	RB-21887	Idler Guard
4	RB-249	Front Clip	11	RB-1889	Cover Guard
5	10715	7/16" x 1 1/2" Carriage Bolt	12		7/16" X 1 3/4" Carriage Bolt
5	10780	7/16" Nut	12	10790	7/16" Lock Washer
5	10801	7/16" Flat Washer	13	L-940	Clamp Bracket
5	10790	7/16" Lock Washer	14	L-2887	Base Assembly
6	L-2897	Idler Support Arm Assembly	15		1/2" x 1 3/4" Cap Screw
7	L-896	Idler Support Arm	16	RB-227	Boss
			17	RB-160	Wedge Nut
			18	SRB4040	Idler Assembly - 6 Belt
			19	L-2879	Idler Support Arm - Lower