

Section “H”: Gauge Wheels & Mesh Roller

| | |
|---|---------|
| 6½” Gauge Wheel (SRB4098)..... | H1 |
| 9½” Gauge Wheel (SRB4099)..... | H2 |
| 6½” & 9½” Gauge Wheel Hubs..... | H3 |
| Heavy Duty Gauge Wheel (SRB4070 & SRB4076) | H4-H5 |
| Heavy Duty Gauge Wheel Hubs 23” | H6 |
| Lift Assist Gauge Wheel (SRB4088 & SRB4089) | H7 |
| 3” Hydraulic Cylinder (2-Way)..... | H8 |
| Mesh Roller Assembly..... | H9-H10 |
| Narrow Mesh Rolls | H11-H14 |
| “L” Mesh Roller & Carrier Bracket..... | H15-H16 |
| Sod Wheel..... | H17 |



Call or E-mail Northwest Tillers today
800.204.3122 • www.nwtiller.com

6 1/2" Gauge Wheel

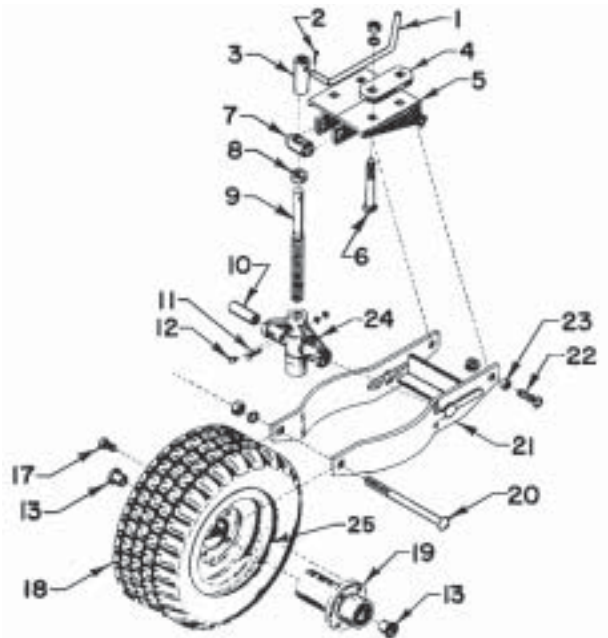
Bundle: SRB4198

(Yoke Complete, Less Wheel Assembly)

Bundle: SRB4098

(Includes Tire, Yoke & Wheel Complete)

NOTE: This Gauge Wheel is not offered on new tillers. Parts are available from Northwest Tiller.



| <u>Item</u> | <u>Part#</u> | <u>No.</u> | <u>Description</u> |
|-------------|--------------|------------|----------------------------------|
| 1 | G-115 | 1 | Crank |
| 2 | 20016 | 1 | 3/16" x 1" Cotter Pin |
| 3 | G-124 | 1 | Cap for G-111 |
| 4 | RB-620 | 2 | Strap |
| 5 | RB-21688 | 1 | Clamp Bracket |
| 6 | 10747 | 4 | 5/8" N.C. x 4" Carriage Bolt |
| 6 | 10783 | 4 | 5/8" Nut |
| 6 | 10793 | 4 | 5/8" Lock Washer |
| 7 | G-103 | 1 | Pivot Pin (Welded into RB-21688) |
| 8 | G-125 | 1 | Screw Stop |
| 9 | G-111 | 1 | Adjustment Screw |
| 10 | RB-47 | 2 | Pivot Pin |
| 11 | 10525 | 2 | 1/4" N.C. x 1 3/4" Cap Screw |
| 11 | 10777 | 2 | 1/4" Nut |
| 11 | 10787 | 2 | 1/4" Lock Washer |
| 12 | RBP-1040 | 1 | 45° Zirk Fitting - Alemite 1652 |
| 13 | G-119 | 2 | Bearing Bushing |
| 17 | RBP-1006 | 4 | 1/2" N.F. x 1 1/2" Stud Bolt |
| 18 | RBP-988 | 1 | 16" x 6.50" x 8" Tire |
| 19 | SG2116 | 1 | Hub - Complete (See Page H3) |
| 20 | 4 | 1 | 5/8" N.C. x 8" Carriage Bolt |
| 20 | 10783 | 1 | 5/8" Nut |
| 20 | 10793 | 1 | 5/8" Lock Washer |
| 21 | G-2105PS | 1 | Yoke Assembly |
| 22 | 10587 | 2 | 1/2" N.C. x 1 1/2" Cap Screw |
| 22 | 20042 | 2 | 1/2" Grip Nut |
| 23 | G-117 | 2 | Bushing - Yoke to Bracket |
| 24 | RB-48PS | 1 | Cross |
| 25 | RBP-986PS | 1 | Rim, Wheel |

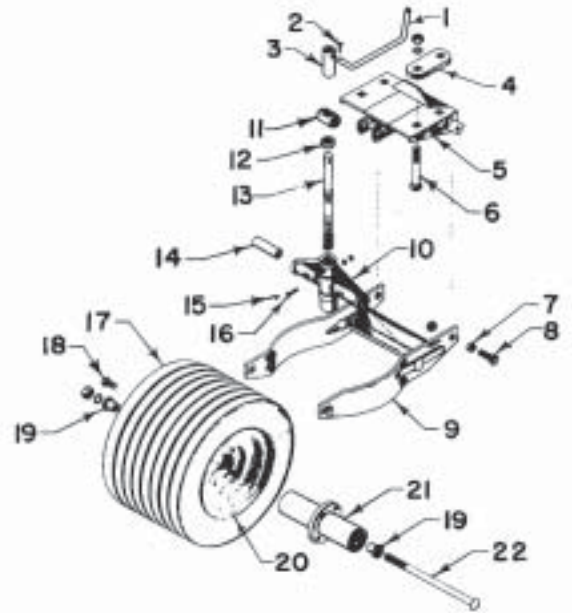
9 1/2" Gauge Wheel

Bundle: SRB4199

(Yoke Complete, Less Wheel Assembly)

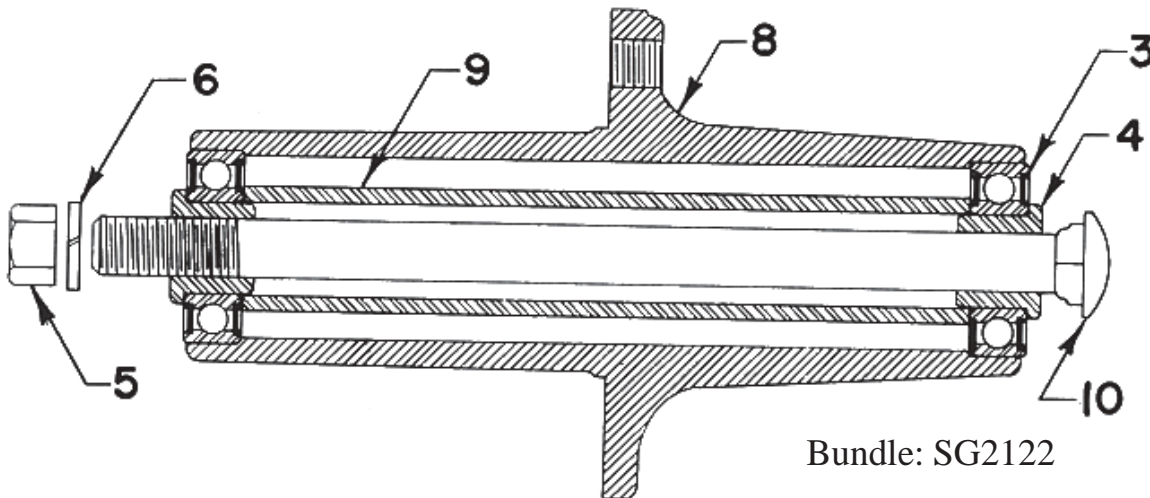
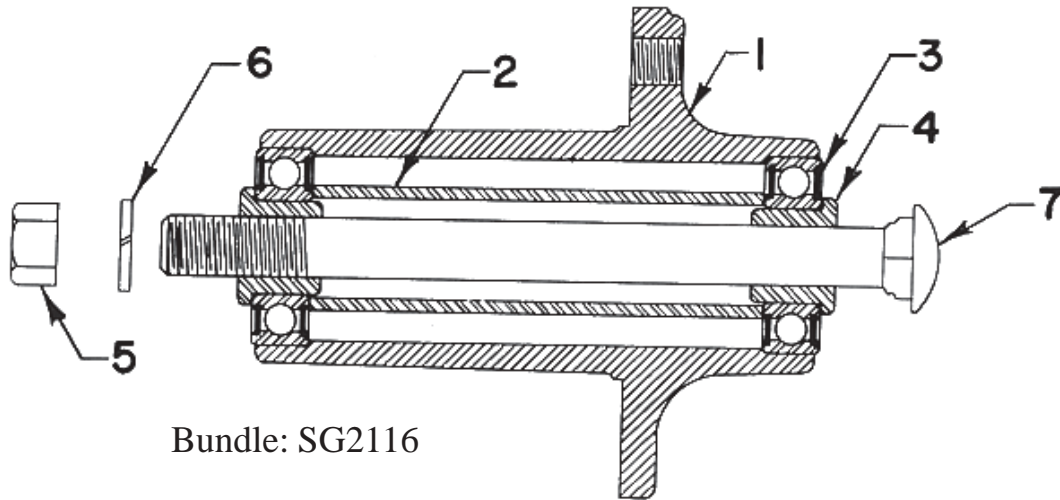
Bundle: SRB4099

(Includes Tire, Yoke & Wheel Complete)



| <u>Item</u> | <u>Part#</u> | <u>No.</u> | <u>Description</u> |
|-------------|--------------|------------|---------------------------------------|
| 1 | G-115 | 1 | Crank |
| 2 | 20016 | 1 | 3/16" x 1" Cotter Pin |
| 3 | G-124 | 1 | Cap for G-111 |
| 4 | RB-620 | 2 | Strap |
| 5 | RB-21690 | 1 | Bracket Assembly |
| 6 | 10747 | 4 | 5/8" N.C. x 4" Carriage Bolt |
| 6 | 10783 | 4 | 5/8" Nut |
| 6 | 10793 | 4 | 5/8" Lock Washer |
| 7 | G-117 | 2 | Bushing |
| 8 | 10587 | 2 | 1/2" N.C. x 1 1/2" Cap Screw |
| 8 | 20042 | 2 | Grip Nut |
| 9 | G-2106PS | 1 | Yoke Assembly |
| 10 | RB-33PS | 1 | Pivot |
| 11 | G-103 | 1 | Pivot Pin (Welded into RB-21690) |
| 12 | G-125 | 1 | Screw Stop |
| 13 | G-111 | 1 | Adjustment Screw |
| 14 | RB-176 | 1 | Pin |
| 15 | RBP-1040 | 1 | 45° Zirk Fitting - Alemite 1652 |
| 16 | 10525 | 2 | 1/4" N.C. x 1 3/4" Cap Screw |
| 16 | 10777 | 2 | 1/4" Nut |
| 16 | 10787 | 2 | 1/4" Lock Washer |
| 17 | RBP-987 | 1 | 18" x 9.50" x 8" Tire |
| 18 | RBP-1006 | 4 | 1/2" N.F. x 1 1/2" Stud Bolt |
| 19 | G-119 | 2 | Bearing Bushing |
| 20 | RBP-985PS | 1 | Rim, Wheel |
| 21 | SG-2122 | 1 | Hub Assembly - Complete (See Page H3) |
| 22 | RBP-992 | 1 | 5/8" N.C. x 11" Carriage Bolt |
| 22 | 10783 | 1 | 5/8" Nut |
| 22 | 10793 | 1 | 5/8" Lock Washer |
| | RBP-999 | 1 | Tube - 18" x 9.50" x 8" (Not Shown) |

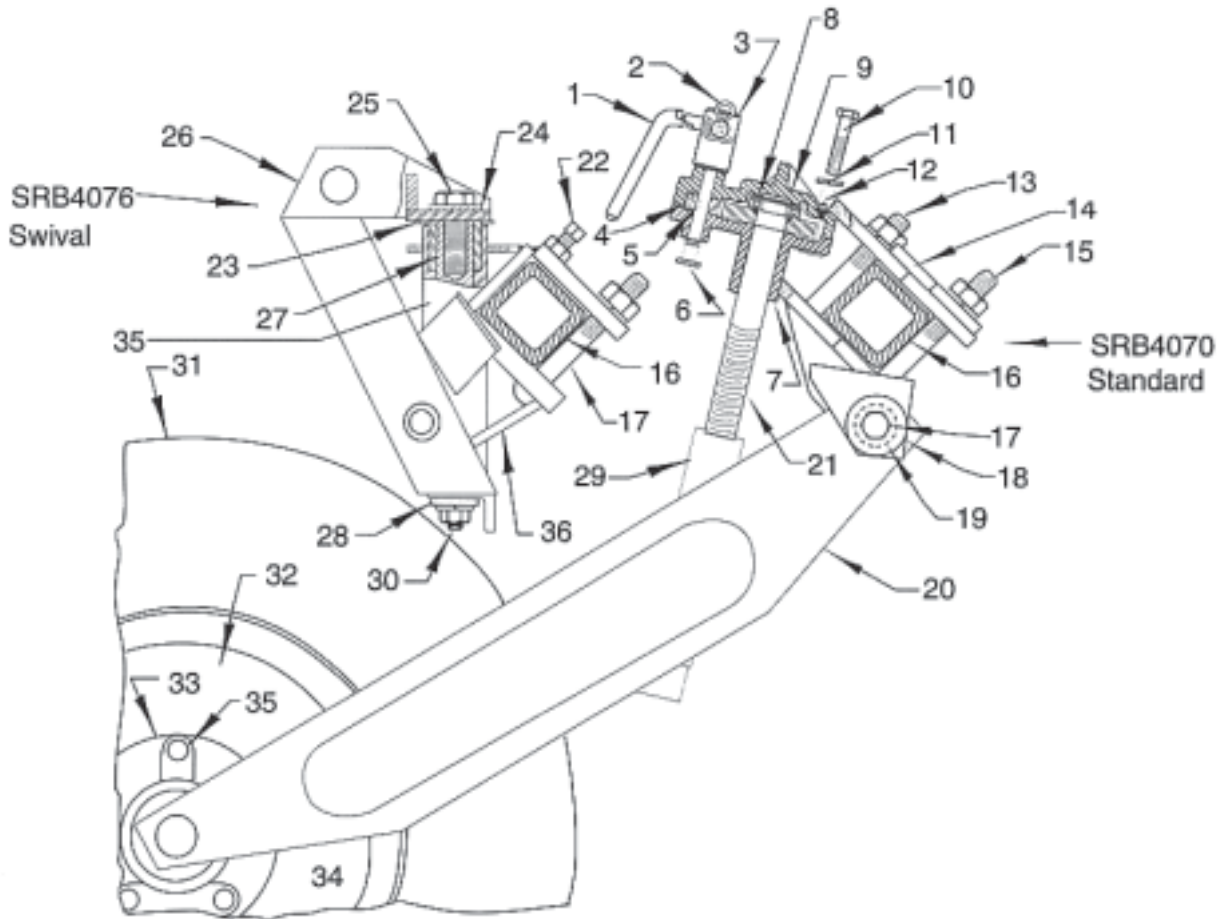
**6 1/2" Gauge Wheel (SRB4098) and
9 1/2" Gauge Wheel (SRB4099) Hubs**



| Item | Part # | Description |
|------|---------|--------------------------------------|
| 1 | G-116PS | Hub for SRB4098 Gauge Wheel (6 1/2") |
| 2 | G-118 | 6 1/2" Gauge Wheel Bearing Spacer |
| 3 | GP-104 | Bearing - Fafnir 205PP |
| 4 | G-119 | Bearing Bushing |
| 5 | 10783 | 5/8" N.C. Hex Head Nut |
| 6 | 10793 | 5/8" Lock Washer |
| 7 | 4 | 5/8" x 8" Carriage Bolt |
| 8 | G-122PS | Hub for SRB4099 Gauge Wheel (9 1/2") |
| 9 | G-123 | 9 1/2" Gauge Wheel Bearing Spacer |
| 10 | RBP-992 | 5/8" x 11" Carriage Bolt |

NOTE: The 6 1/2" Gauge Wheel is not offered on new tillers. Parts are available.

23" Gauge Wheel



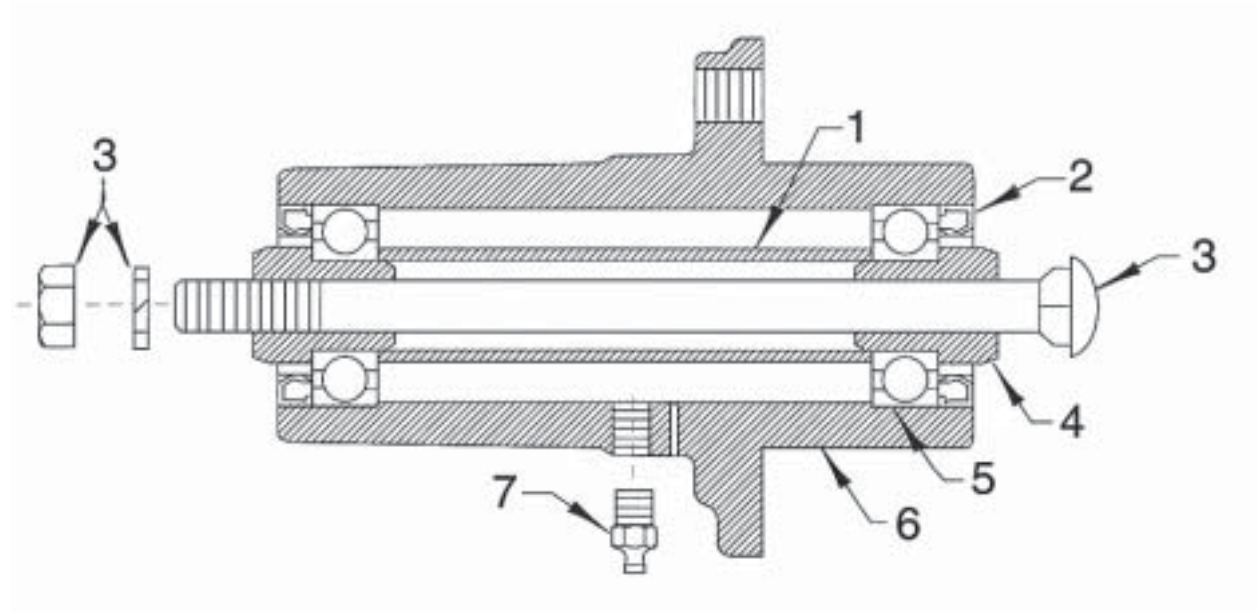
23" Gauge Wheel

Parts List for SRB4070 & SRB4076

| <u>Item</u> | <u>Part#</u> | <u>Description</u> | <u>Item</u> | <u>Part#</u> | <u>Description</u> |
|-------------|--------------|---------------------------------------|----------------|-----------------------------------|---|
| 1 | G-115 | Crank | 24 | 10804 | 5/8" Flat Washer |
| 2 | 95 | 3/16" x 3/4" Cotter Key | 25 | 10608 | 5/8" x 1 1/2" Cap Screw |
| 3 | RB-1216 | Stub Shaft | 26 | RB-21762 | Outer Frame Swival |
| 4 | RB-1215PS | Spur Gear | 27 | RB-1763 | Bushing |
| 5 | RP-1126 | 1/8" x 1/2" Woodruff Key | 28 | RB-21765 | Pin Assembly |
| 6 | RBP-1120 | Snap Ring for Stub Shaft | 29 | RB-21217 | Pivot Screw |
| 7 | RB-89PS | Lower Bearing Housing | 30 | 10727 | 1/2" x 1 1/4" Carriage Bolt |
| 8 | RBP-1007 | Thrust Bearing - Nice #607 | 30 | 10781 | 1/2" Nut |
| 9 | RB-88PS | Upper Bearing Housing | 30 | 10791 | 1/2" Lock Washer |
| 10 | 241 | 3/8" x 1 1/2" Cap Screw | 31 | RBP-1009 | 23" OD x 8.5W - 12(Hole in middle) 4 Ply Tire |
| 11 | 24 | 3/8" Lock Washer | 32 | RBP-1008PS | Rim, Wheel |
| 12 | RBP-1039 | Zirk Fitting - Alemite #1650 | 33 | SD4145 | Hub Assembly (See Page H6) |
| 13 | 10617 | 5/8" x 3 3/4" Carriage Bolt | 34 | RBP-997 | 5/8" x 9 1/2" Carriage Bolt |
| 13 | 10783 | 5/8" Nut | 34 | 10783 | 5/8" Nut |
| 13 | 10793 | 5/8" Lock Washer | 34 | 10793 | 5/8" Lock Washer |
| 14 | RB-21206 | Sq. Bar Clamp (for SRB4070) | 35 | RB-21755 | Inner Frame Swival |
| 15 | 10747 | 5/8" x 4" Carriage Bolt | Bundle: | | |
| 15 | 10783 | 5/8" Nut | SRB4103 | Gear & Screw Assembly | |
| 15 | 10793 | 5/8" Lock Washer | SRB31762 | Top Swival Assembly (for SRB4076) | |
| 16 | RB-638 | Rear Square Bar (length) | | | |
| 17 | 10608 | 5/8" x 1 1/2" Cap Screw (for SRB4070) | | | |
| 17 | 10607 | 5/8" x 1 1/4" Cap Screw (for SRB4076) | | | |
| 17 | R-49A | 5/8" NC Jam Grip Nut | | | |
| 18 | 10804 | 5/8" Flat Washer | | | |
| 19 | RB-1219 | Bushing (for SRB4070) | | | |
| 20 | RB-21210 | Yoke | | | |
| 21 | RB-21201 | Screw & Gear | | | |
| 22 | 258 | 5/8" x 2" Sq. Head Set Screw | | | |
| 22 | 94 | 5/8" Jam Nut | | | |
| 23 | RBP-1121 | 1" SAE Flat Washer | | | |

23" Gauge Wheel Hubs

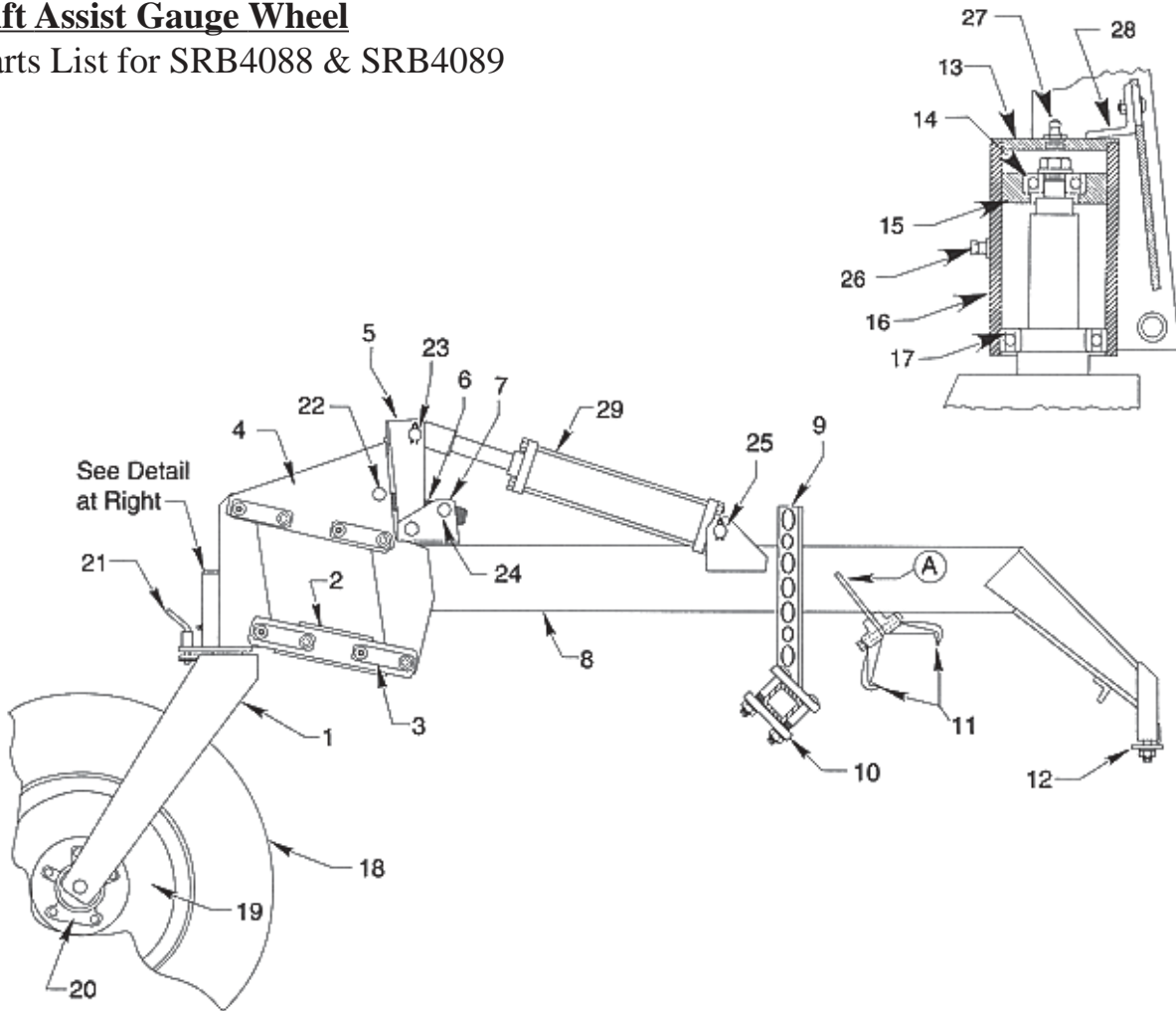
Bundle No. SD4145



| <u>Item</u> | <u>Part</u> | <u>No.</u> | <u>Description</u> |
|-------------|-------------|------------|-----------------------------------|
| 1 | D-146 | 1 | Sleeve |
| 2 | D-148 | 2 | Seal - National # 471407 |
| 3 | RBP-997 | 1 | 5/8" N.C. x 9 1/2" Carriage Bolt |
| 3 | 10783 | 1 | 5/8" Nut |
| 3 | 10793 | 1 | 5/8" Lock Washer |
| 4 | D-147 | 2 | Spacer |
| 5 | D-149 | 2 | Bearing - Fafnir # 305W |
| 6 | D-145PS | 1 | Hub |
| 7 | RBP-1039 | 1 | 1/8" Zirk Fitting - Alemite #1650 |

Lift Assist Gauge Wheel

Parts List for SRB4088 & SRB4089

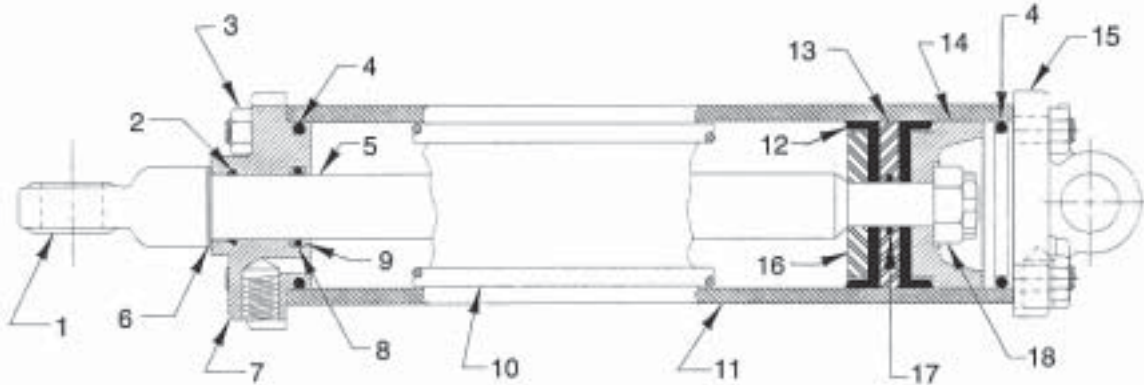


| Item | Part# | Description |
|------|----------|---------------------------|
| 1 | RB-2391 | Yoke |
| 2 | RB-21708 | Frame Side |
| 3 | RB-2370 | Connecting Pin (4) |
| 4 | RB-21721 | Top Link |
| 5 | RB-21703 | Link |
| 6 | RB-446 | Adjusting Screw |
| 7 | RB-2358 | Pivot |
| 8 | RB-2356 | Housing |
| 9 | RB-2383 | Hanger Bracket - LH & RH |
| 10 | RB-620 | Square Bar Strap |
| 11 | RB-155 | Clamp (2)* |
| 12 | RB-755 | Clamp |
| 13 | RB-341 | Cap |
| 14 | GP-104 | Bearing - Fafnir #205 NPP |
| 15 | RB-339 | Bearing Seat |
| 16 | RB-2355 | Yoke Pivot |

| Item | Part# | Description |
|------|----------|-----------------------------|
| 17 | RBP-943 | Bearing - Fafnir #9110 NPP |
| 18 | RBP-1009 | 23" x 8.50 - 12 4 Ply Tire |
| 19 | RBP-1008 | Wheel |
| 20 | SD4145 | Hub Assembly (See H6) |
| 21 | RB-1327 | Pin (One Per Set) |
| 22 | RB-360 | Front Adjusting Nut |
| 23 | RB-1719 | Link Pin |
| 24 | RB-398 | Rear Adjusting Nut |
| 25 | RB-1720 | Anchor Pin |
| 26 | RB-938 | Breather |
| 27 | RBP-1039 | 1/8" Zirk Fitting |
| 28 | RB-403 | Retainer Clip |
| 29 | SRB4524 | Hydraulic Cylinder (See H8) |

* To use on **older** models, Ear A on frame must be drilled out to 25/32" Diameter.

3" Hydraulic Cylinder (2-way) - Tie Rod Type (1974 & later)

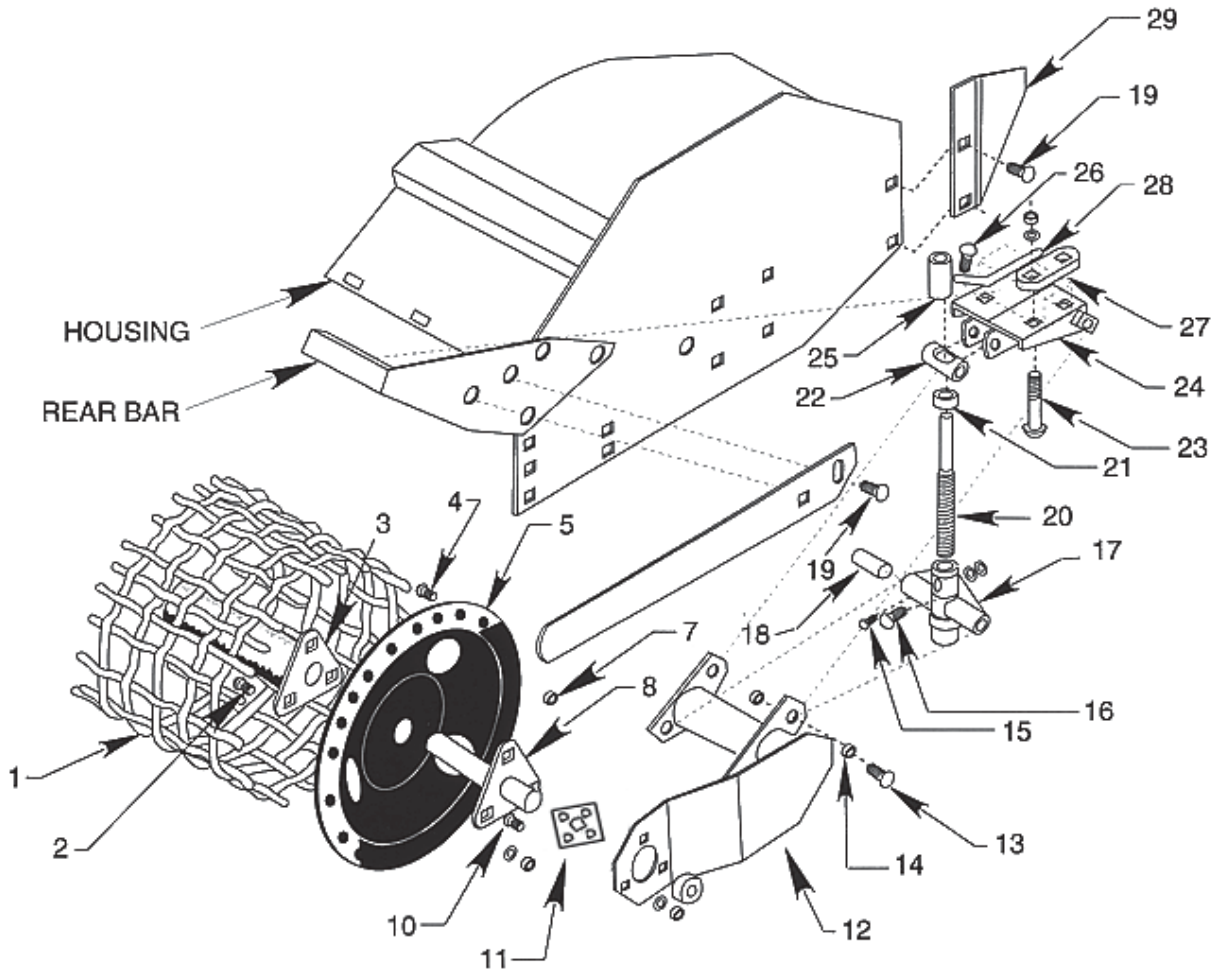


Bundle: SRB-4524

| <u>Item</u> | <u>Part#</u> | <u>Description</u> |
|-------------|----------------|---|
| 1 | RB-73 | Head, Piston Rod |
| 2 | RBP-1027 | Wiper Ring - John Crane Co. #F9002W-13 |
| 3 | | 7/16 - 20 N.F. Hex Nut |
| 4 | RBP-1047 | #622737 National "O" Ring |
| 5 | RB-1496 | Piston Rod |
| 6 | | 1" Internal Lock Washer |
| 7 | RB-71 | Cylinder Head |
| 8 | RBP-1025 | #6246-23 National "O" Ring |
| 9 | RBP-1026 | #6246-23 Parker Leather Back-Up Washer (2) (1 Each Side of "O" Ring) |
| 10 | RB-1498 | Tie Rod |
| 11 | RB-1495 | Cylinder Tube |
| 12 | RBP-996 | Leather Cup (2) - John Crane Co. #821-P |
| 13 | RB-1272 | Back-Up Plate |
| 14 | RB-480 | Piston Head |
| 15 | RB-72 | Cylinder Base |
| 16 | RB-1497 | Head Plate |
| 17 | RBP-1023 | #622715 National "O" Ring |
| 18 | 20015 | 3/4" N.F. Castle Nut with 1/8" Cotter Pin |

Mesh Roller Assembly

Bundle: SRB4715-4', RB4716-5', SRB4717-6', SRB4718-7', SRB4719-8', SRB4720-9'



Mesh Roller Assembly

| <u>Item</u> | <u>Part#</u> | <u>Description</u> |
|-------------|-----------------|---|
| 1 | RB-11015PS (5') | Mesh (Specify Length of Screen) |
| 2 | 10727 | 1/2" x 1 1/4" Carriage Bolt |
| 2 | 10781 | 1/2" Nut |
| 2 | 25 | 1/2" Star Washer |
| 3 | SRB21709 (4') | Axle (Specify Size of Roller) Complete w/Screen, etc. |
| 4 | RB-672 | Ferrule |
| 5 | RB-1723 | End Plate |
| 6 | RB-986 | Shield (Vineyard Tiller) |
| 7 | RB-671 | Ferrule |
| 8 | RB-21686 | Stub Axle Assembly |
| 10 | 10692 | 3/8" x 1" Carriage Bolt |
| 10 | 10779 | 3/8" Nut |
| 10 | 24 | 3/8" Lock Washer |
| 11 | 870 | 4 Bolt Flange Bearing |
| 12 | RB-2452 | Carrier Bracket - L.H. |
| 12 | RB-2453 | Carrier Bracket - R.H. |
| 13 | 10728 | 1/2" x 1 1/2" Carriage Bolt |
| 13 | 10781 | 1/2" Nut |
| 13 | 10791 | 1/2" Lock Washer |
| 14 | G-117 | Bushing |
| 15 | RBP-1040 | 45° Zirk Fitting - Alemite #1652 |
| 16 | 10525 | 1/4" x 1 3/4" Cap Screw |
| 16 | 10777 | 1/4" Nut |
| 16 | 10787 | 1/4" Lock Washer |
| 17 | RB-48PS | Cross |
| 18 | RB-1880 | Pivot Pin |
| 19 | 10743 | 5/8" x 1 1/2" Carriage Bolt |
| 19 | 10783 | 5/8" Nut |
| 19 | 10793 | 5/8" Lock Washer |
| 20 | G-111 | Adjustment Screw |
| 21 | G-125 | Screw Stop |
| 22 | G-103PS | Pivot Pin (Welded into RB-21688) |
| 23 | 10747 | 5/8" x 4" Carriage Bolt |
| 23 | 10783 | 5/8" Nut |
| 23 | 10793 | 5/8" Lock Washer |
| 24 | RB-21688PS | Clamp Bracket |
| 25 | G-124 | Cap for G-111 Adjustment Screw |
| 26 | 26016 | 3/16" x 1" Cotter Pin |
| 27 | RB-620 | Strap |
| 28 | RB-462 | Adjustment Screw Crank |
| 29 | RB-1458 | Shield (Vineyard) (R.H. Shown) |

Bundles:

- SRB4518..... L.H. Carrier Bracket Assembly
- SRB4519..... R.H. Carrier Bracket Assembly
- SRB4521..... L.H. & R.H. Carrier Bracket Assemblies

Narrow Mesh Roll

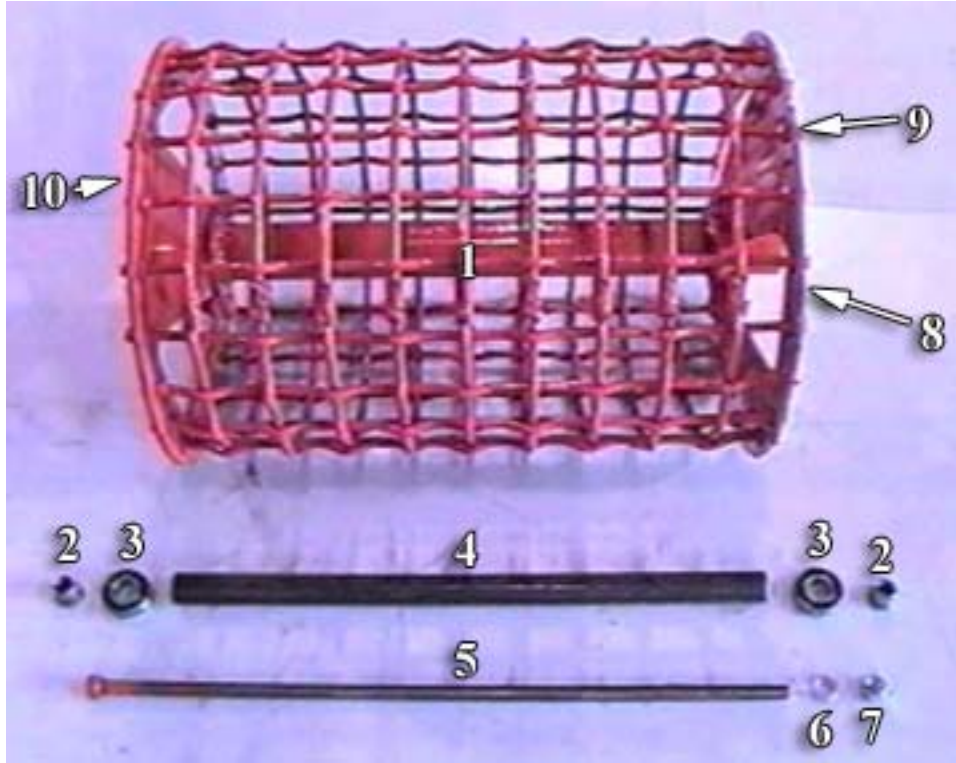
SRB-4820*



*Specify Length When Ordering

Narrow Mesh Roll

SRB-21945*

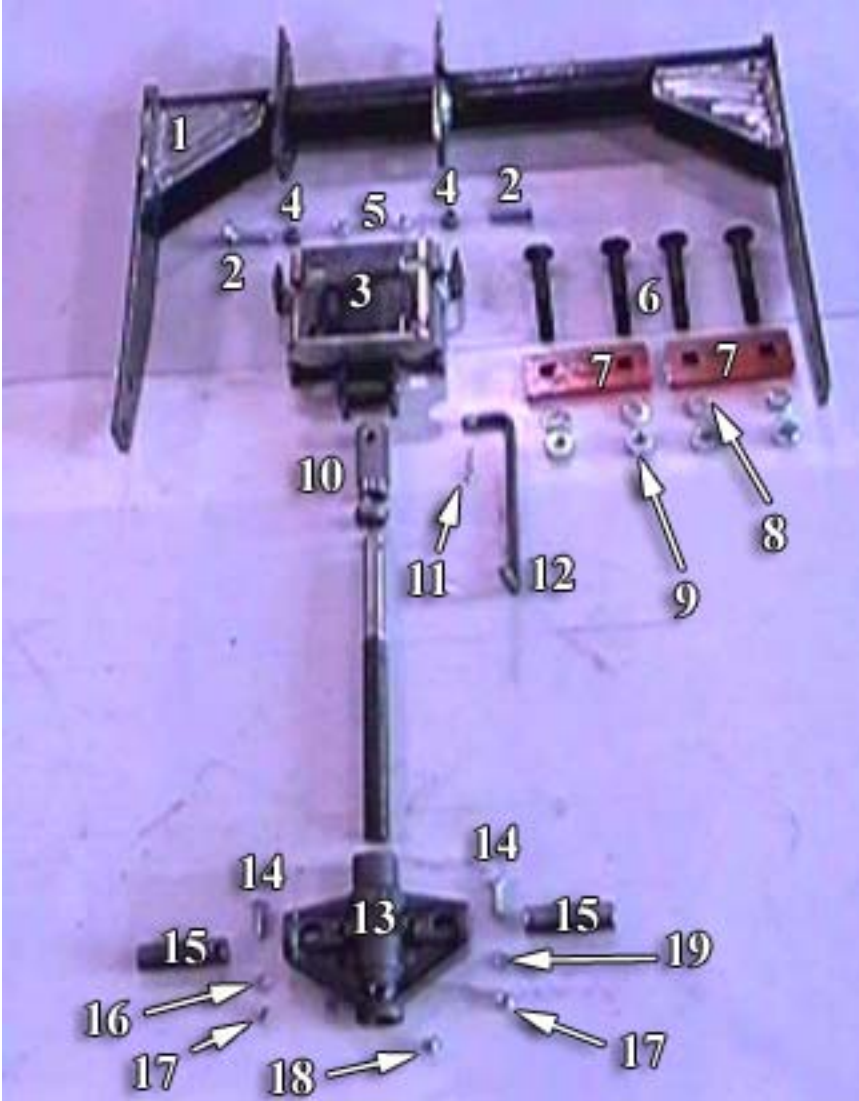


| <u>Item #</u> | <u>Part #</u> | <u>No.Used</u> | <u>Description</u> |
|---------------|---------------|----------------|---------------------------|
| 1 | SRB-21945* | 1 | Narrow Mesh Roller |
| 2 | G-119 | 2 | Bearing bushing - GA. wh. |
| 3 | G-104 | 2 | Bearing 205 205PP |
| 4 | RB-1947* | 1 | Spacer Bearing |
| 5 | RB-1948* | 1 | Spindle |
| 6 | 10793 | 1 | 5/8" Lock Washer |
| 7 | 10783 | 1 | 5/8" NC Nut |
| 8 | RB-672 | 28 | Ferrule |
| 9 | RB-671 | 14 | Ferrule |
| 10 | RB1723-1 | 2 | End Plate |

* Specify Length When Ordering

Narrow Mesh Roll

SRB2447*



*Specify Length When Ordering

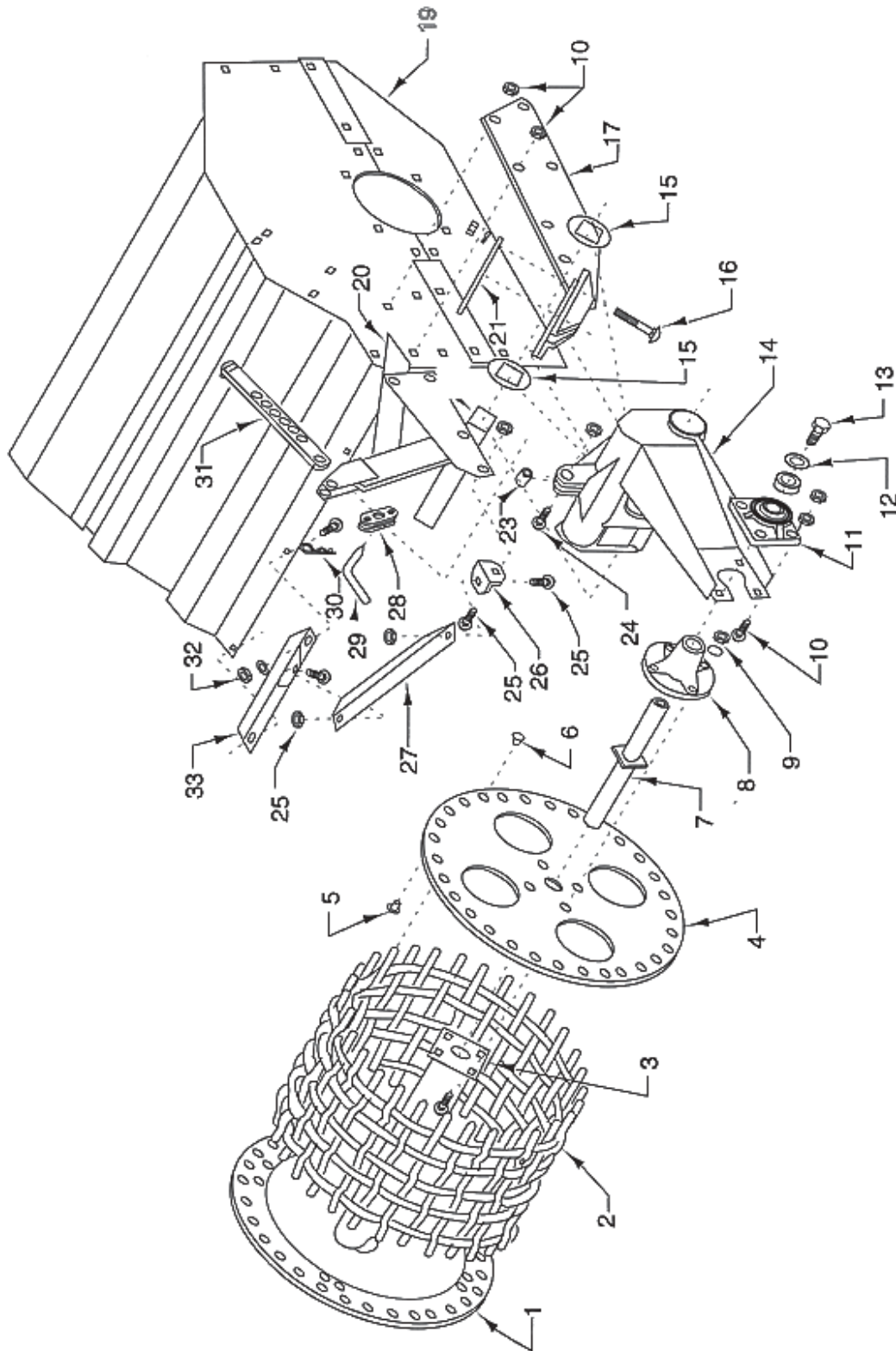
Narrow Mesh Roll

SRB2447*

| <u>Item #</u> | <u>Part #</u> | <u>No.Used</u> | <u>Description</u> |
|---------------|----------------|----------------|-----------------------------|
| 1 | RB2447* | 1 | Yoke |
| 2 | 10726 | 2 | 1/2" x 1 1/2" Carriage Bolt |
| 3 | RB-21688 | 1 | Clamp Bracket |
| 4 | G-117 | 2 | Bushing |
| 5 | 20042 | 2 | 1/2" Grip Nut |
| 6 | 10747 | 4 | 5/8" x 4" Carriage Bolt |
| 7 | RB-620 | 2 | Strap |
| 8 | 10793 | 4 | 5/8" Lock Washer |
| 9 | 10783 | 4 | 5/8" Nuts |
| 10 | G-124 | 1 | Cap for G-111 Adj Screw |
| 11 | 26016 | 1 | 3/16" x 1" Cotter Pin |
| 12 | G-115 | 1 | Adjustment Screw Crank |
| 13 | RB-48PS | 1 | Cross |
| 14 | 10525 | 2 | 1/4" x 1 3/4" Cap Screw |
| 15 | RB-1880 | 2 | Pivot Pin |
| 16 | 10787 | 2 | 1/4" Lock Washer |
| 17 | 10781 | 2 | 1/4" Nut |
| 18 | RBP-1040 | 1 | 45° Zirk Fitting |
| 19 | G-125 | 1 | Screw Stop |

* Specify Length When Ordering

"L" Mesh Roller & Mesh Roller Carrier Bracket



"L" Mesh Roller & Mesh Roller Carrier Bracket

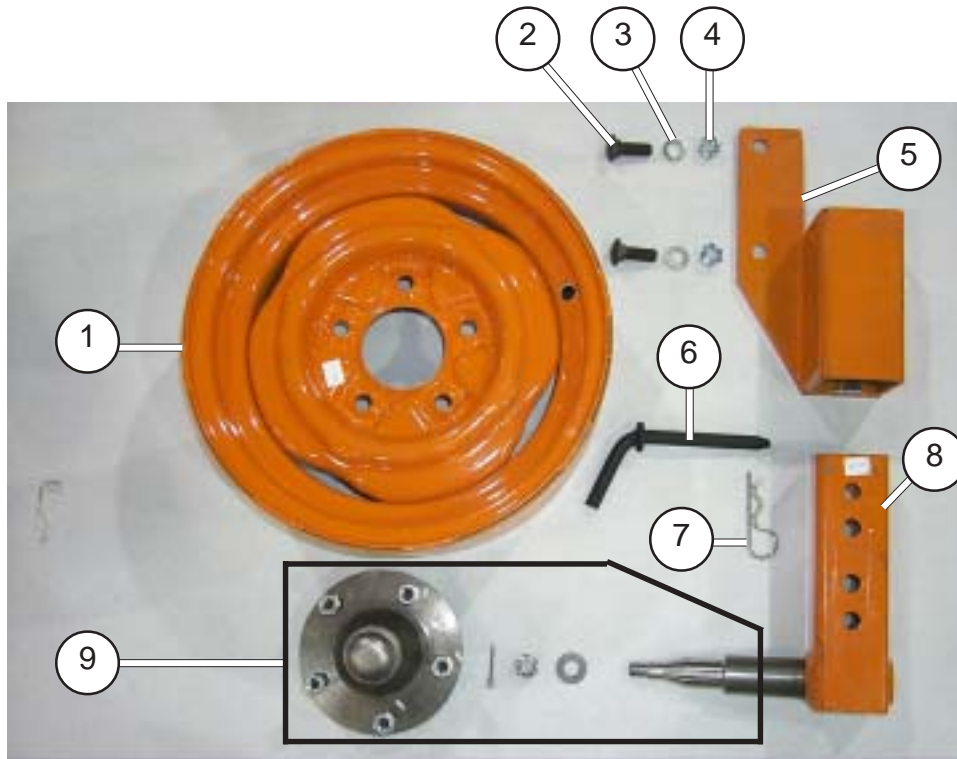
| <u>Item</u> | <u>Part#</u> | <u>No.</u> | <u>Description</u> | <u>Item</u> | <u>Part#</u> | <u>Description</u> |
|-------------|--------------|------------|---------------------------------|-------------|--------------|------------------------------------|
| 1 | L-653 | - | Off Center Plate | 16 | 10756 | 8 3/4" x 5" Carriage Bolt |
| 2 | L-664 | 2 | Mesh Roller Screen 8' | 16 | 10784 | 8 3/4" Nut |
| 2 | L-655A | 3 | Mesh Roller Screen 10' | 16 | 10794 | 8 3/4" Lock Washer |
| 2 | L-652B | 4 | Mesh Roller Screen 12' | 17 | L-2047 | 2 Rear Bar Bracket |
| 2 | L-650 | 4 | Mesh Roller Screen 14' | 18 | 10744 | 8 5/8" x 2" Carriage Bolt |
| 2 | L-651 | 5 | Mesh Roller Screen 16' | 18 | 10783 | 8 5/8" Nut |
| 2 | L-649 | 6 | Mesh Roller Screen 18' (2-9') | 18 | 10793 | 8 5/8" Lock Washer |
| 3 | L-21072 | 1 | Frame Assembly 8' | 19 | | Main Frame |
| 3 | L-21068 | 1 | Frame Assembly 10' | 20 | L-21526 | 1ea Anchor Post Assembly (RH & LH) |
| 3 | L-21070 | 1 | Frame Assembly 12' | 21 | L-117 | 2 Square Bar Strap |
| 3 | L-2624 | 1 | Frame Assembly 14' | 23 | L-1548 | 2 Bushing |
| 3 | L-21510 | 1 | Frame Assembly 16' | 24 | 10630 | 2 3/4" x 1 3/4" Cap Screw |
| 3 | L-21625 | 2 | Frame Assembly 18' (2-9') | 24 | 20030 | 2 3/4" Grip Nut |
| 4 | L-657 | 2 | End Plate | 25 | 10743 | 6 5/8" x 1 1/2" Carriage Bolt |
| 5 | L-694 | - | Ferrule (52 per screen) | 25 | 10783 | 6 5/8" Nut |
| 6 | L-699 | - | Ferrule - welded (8 per screen) | 25 | 10793 | 6 5/8" Lock Washer |
| 7 | L-2187 | 2 | Spindle Assembly | 26 | L-1536 | 2 Brace Clip |
| 8 | L-97 | 2 | Hub | 27 | L-1533 | 2 Brace |
| 9 | 85 | 8 | 5/8" x 2 1/4" Carriage Bolt | 28 | L-21534 | 2 Stop |
| 9 | 19783 | 8 | 5/8" Nut | 29 | L-658 | 2 Pin |
| 9 | 10793 | 8 | 5/8" Lock Washer | 30 | RBP-927 | 2 Hair Pin |
| 10 | 10728 | 8 | 1/2" x 1 1/2" Carriage Bolt | 31 | L-21546 | 2 Adj. Bar Assembly |
| 10 | 10781 | 8 | 1/2" Nut | 32 | 10715 | 4 7/16" x 1 1/2" Carriage Bolt |
| 10 | 10791 | 8 | 1/2" Lock Washer | 32 | 10780 | 4 7/16" Nut |
| 11 | L-1154 | 2 | Bearing - Fafnir TCJ 1 1/2" | 32 | 10790 | 4 7/16" Lock Washer |
| 12 | RB-1088 | 2 | Cap | 33 | L-2770 | 1ea Anchor (RH & LH) |
| 13 | 10608 | 2 | 5/8" x 1 1/2" Cap Screw | | | |
| 14 | L-21537 | 1ea | Carrier Arm Assembly (RH & LH) | | | |
| 15 | L-1531 | 4 | Washer | | | |

Bundles:

| | |
|--------|--|
| SL4108 | 8' Mesh Roll with Attaching Brackets |
| SL4110 | 10' Mesh Roll with Attaching Brackets |
| SL4112 | 12' Mesh Roll with Attaching Brackets |
| SL4114 | 14' Mesh Roll with Attaching Brackets |
| SL4115 | 15' Mesh Roll with Attaching Brackets |
| SL4116 | 16' Mesh Roll with Attaching Brackets\ |
| SL4200 | Mesh Roll Carrier Brackets with Attachment |

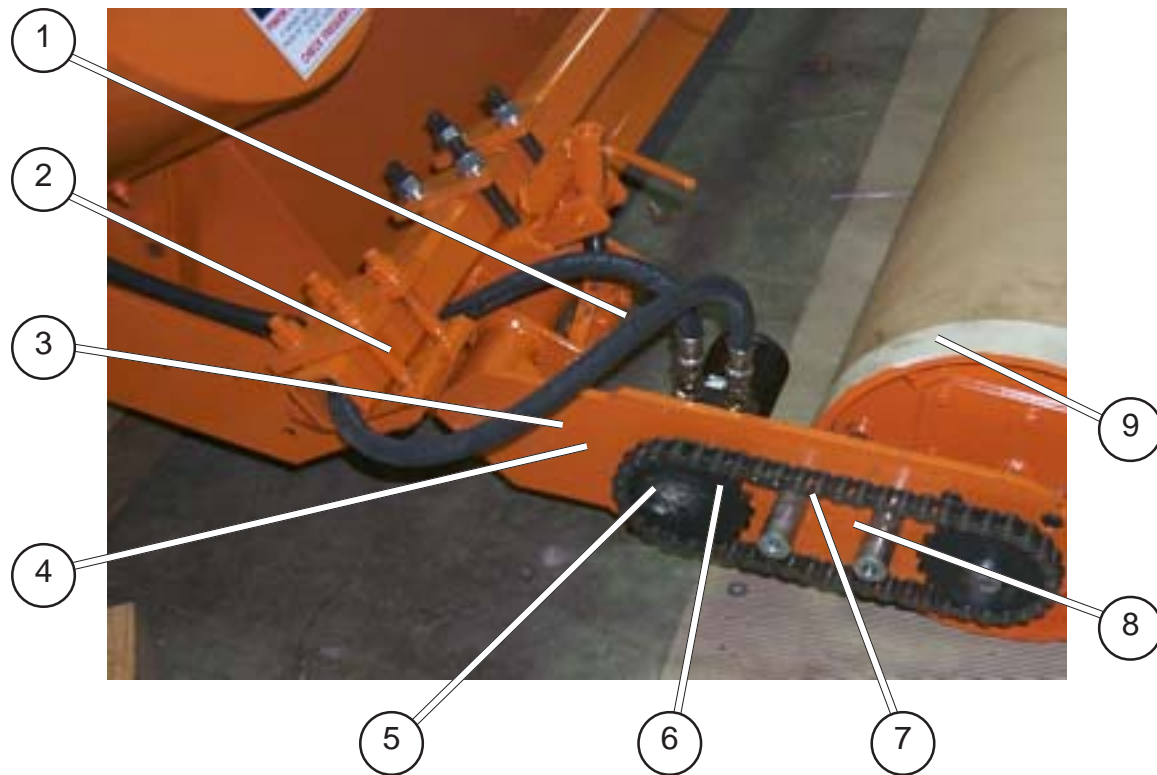
Sod Wheel

OP1



| <u>Item #</u> | <u>Part #</u> | <u>No.Used</u> | <u>Description</u> |
|---------------|------------------|----------------|--------------------------------------|
| 1 | RB-31792PS | 1 | Wheel |
| 2 | 22 | 2 | 5/8" x 1 3/4" Carriage Bolt |
| 3 | 10793 | 2 | 5/8" LockWasher |
| 4 | 10783 | 2 | 5/8" NC Nut |
| 5 | RB-31790R | 1 | Tube Frame, Sod Wheel LH |
| 5 | RB-31790L | 1 | Tube Frame, Sod Wheel RH (Not Shown) |
| 6 | L-21450PS | 1 | Retaining Pin |
| 7 | RBP-927 | 1 | Hair Pin |
| 8 | RB-31791PS | 1 | Sod Slip Tube |
| 9 | 201 | 1 | Complete Assembly Axle and Hub |

Power Roller



| <u>Item #</u> | <u>Part #</u> | <u>Description</u> |
|---------------|-------------------|---------------------------|
| 1 | RBP-1329-3 | Hydraulic Motor |
| 2 | SRB4521B | Roller Bracket |
| 3 | 190 | Hub SDS X 1 |
| 4 | 867 | Drive Sprocket, 60SD 520 |
| 5 | 552-2 | 60P NKPL |
| 6 | RB-31823-16 | Stub Shaft, Guard Mount |
| 7 | 869 | Hub SDS x 1 1/4 |
| 8 | 136 | Drive Link Connector, 60P |
| 9 | RB 11035-14..... | UHMW Strip |